

WASHER

Repair Parts List

MODEL NUMBER
MAH21PDAGW

When requesting service or ordering parts, always provide the following information:

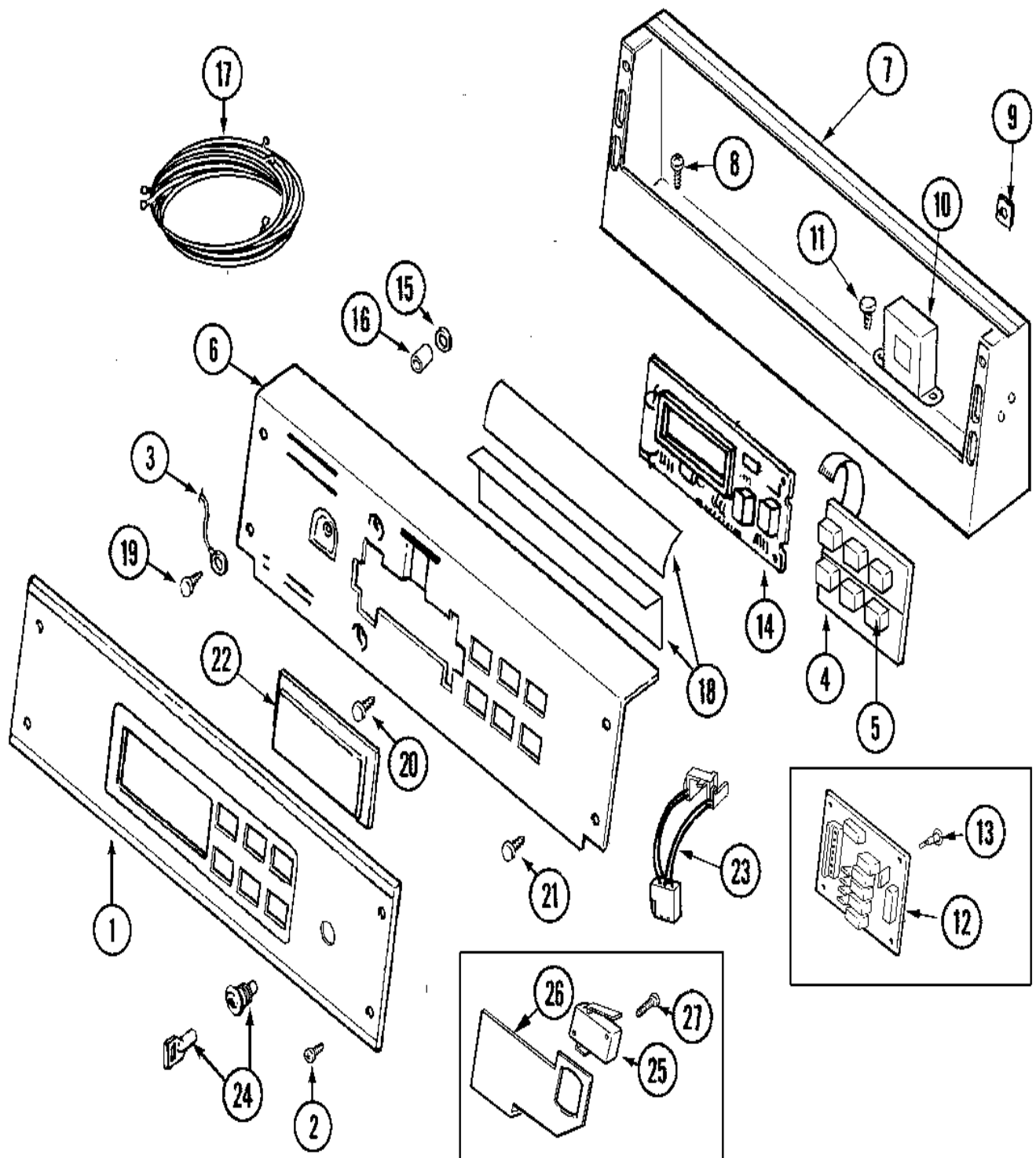
- Product Type
- Part Number
- Model Number
- Part Description

MAYTAG®

©2005 Maytag Services

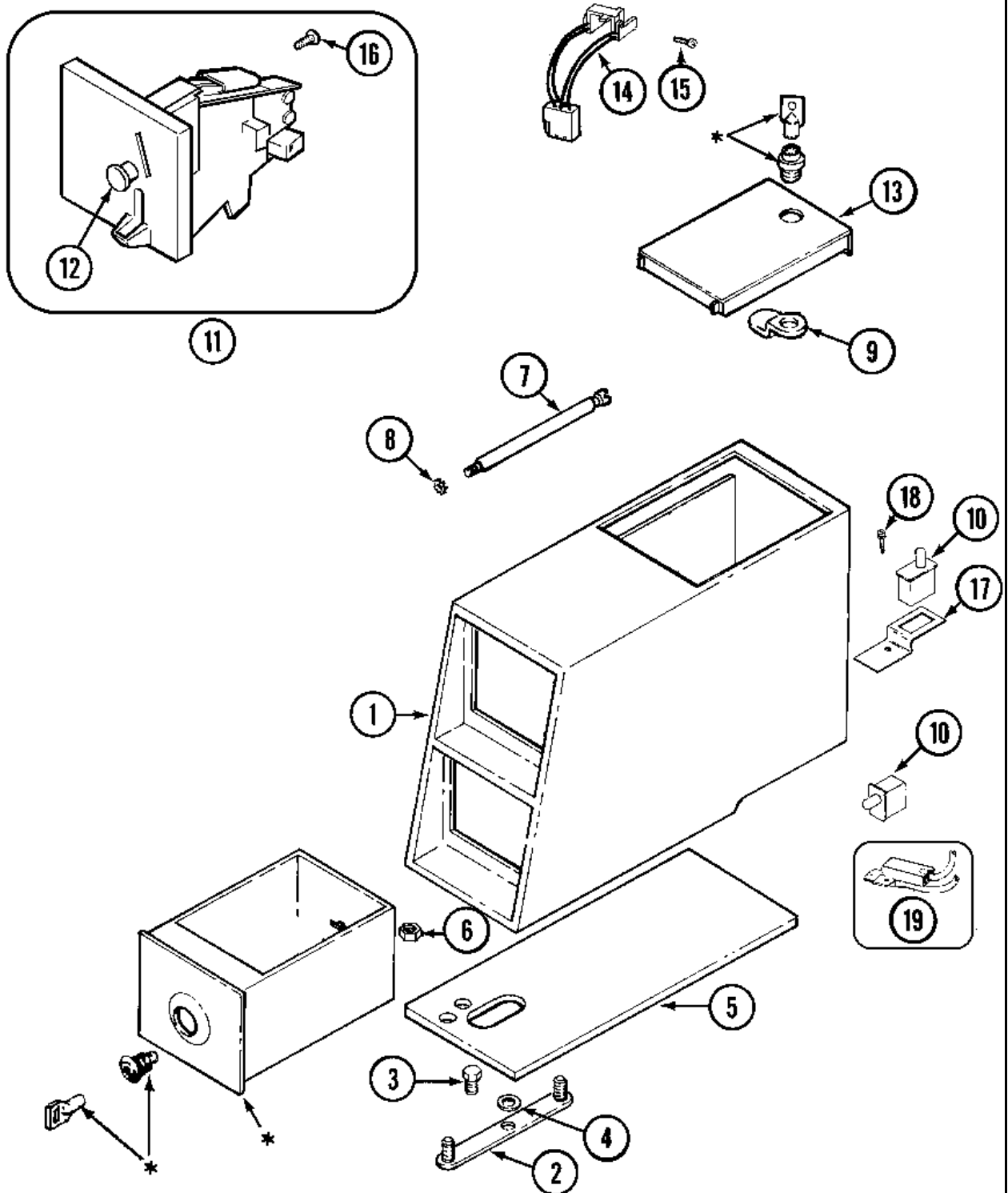
Section: CONTROL PANEL

Model: MAH21PDAGW



Section: CONTROL CENTER (PD)

Model: MAH21PDAGW

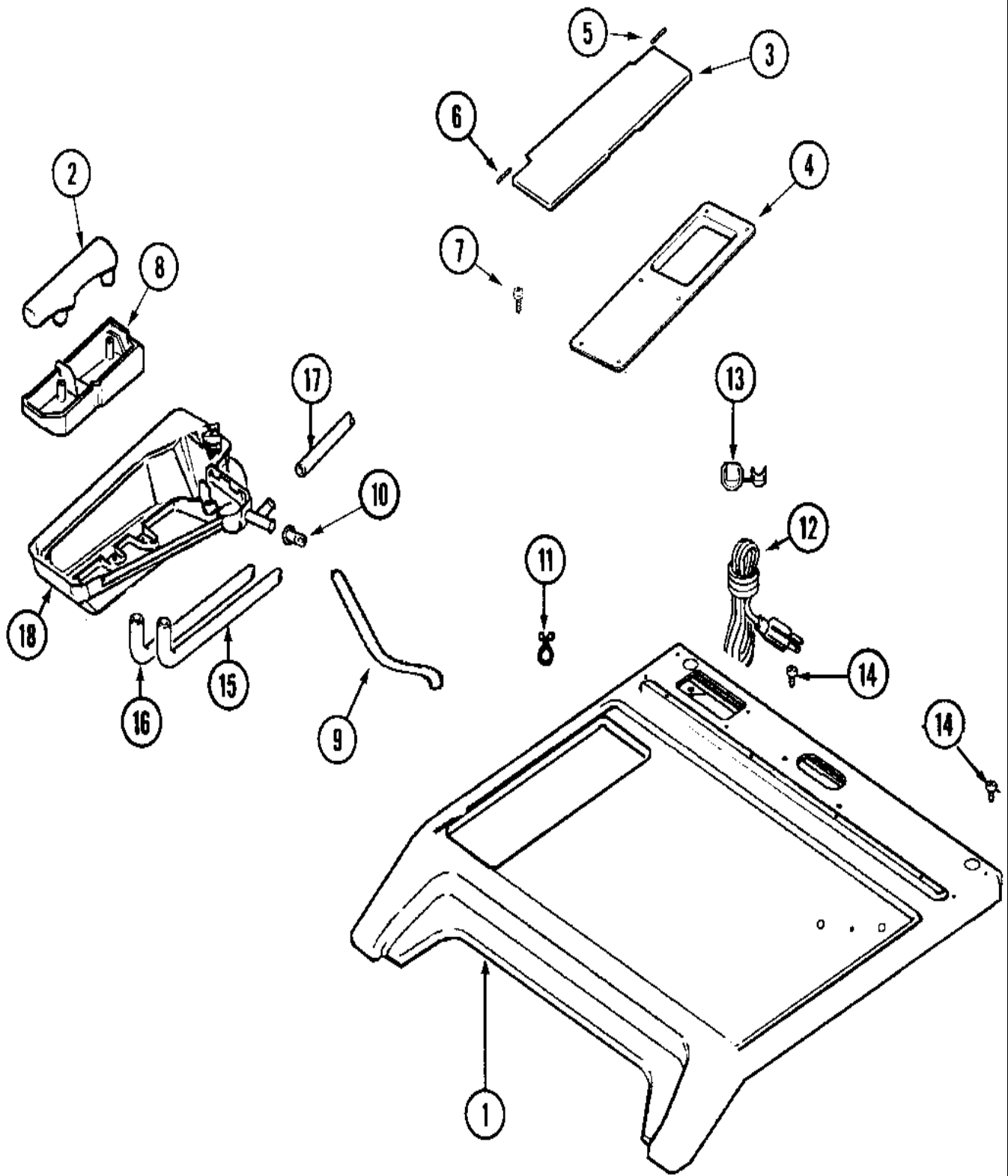


* CONTACT YOUR COMMERCIAL LAUNDRY DISTRIBUTOR

CW14-32

Section: TOP

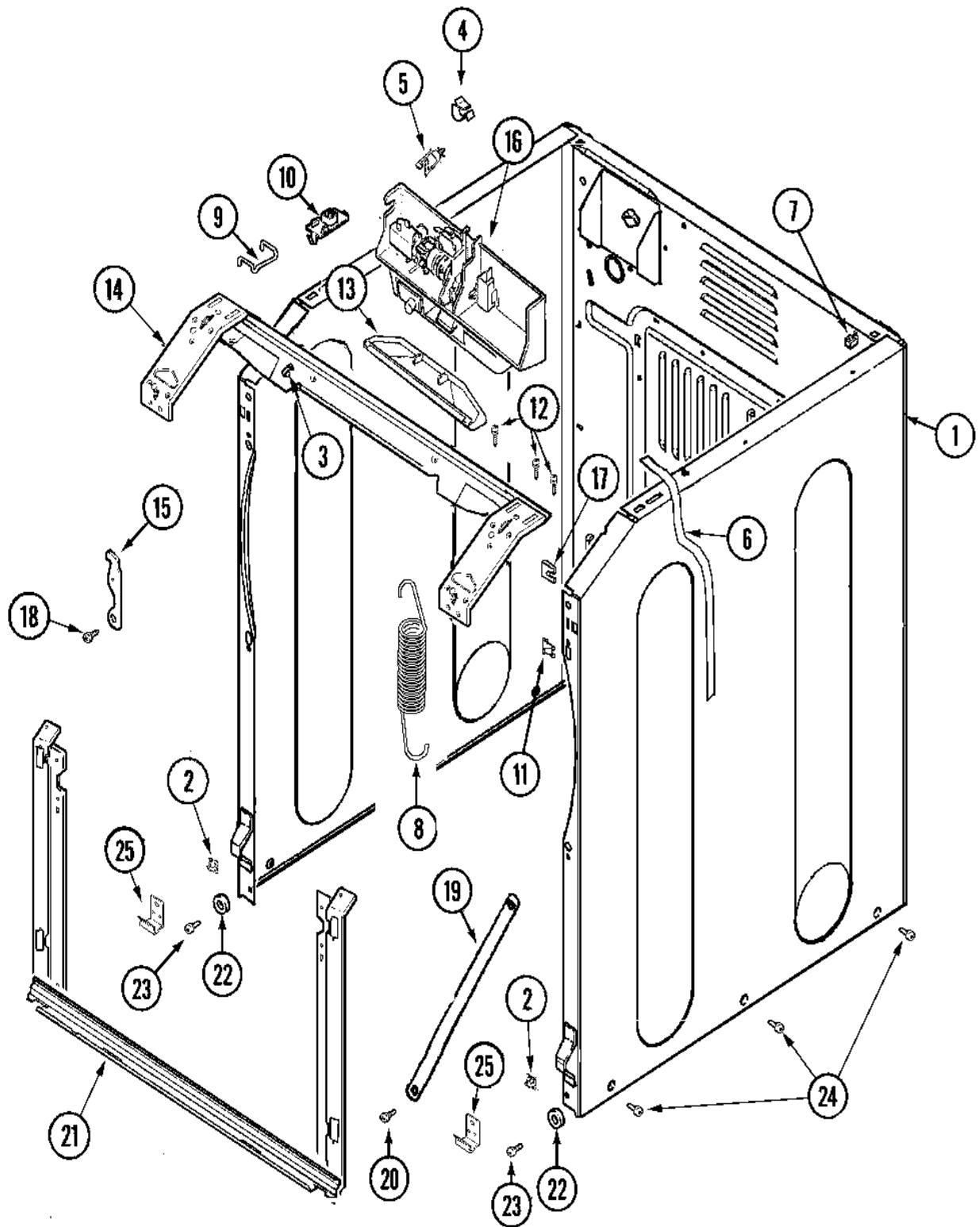
Model: MAH21PDAGW



LW16-51

Section: CABINET-FRONT

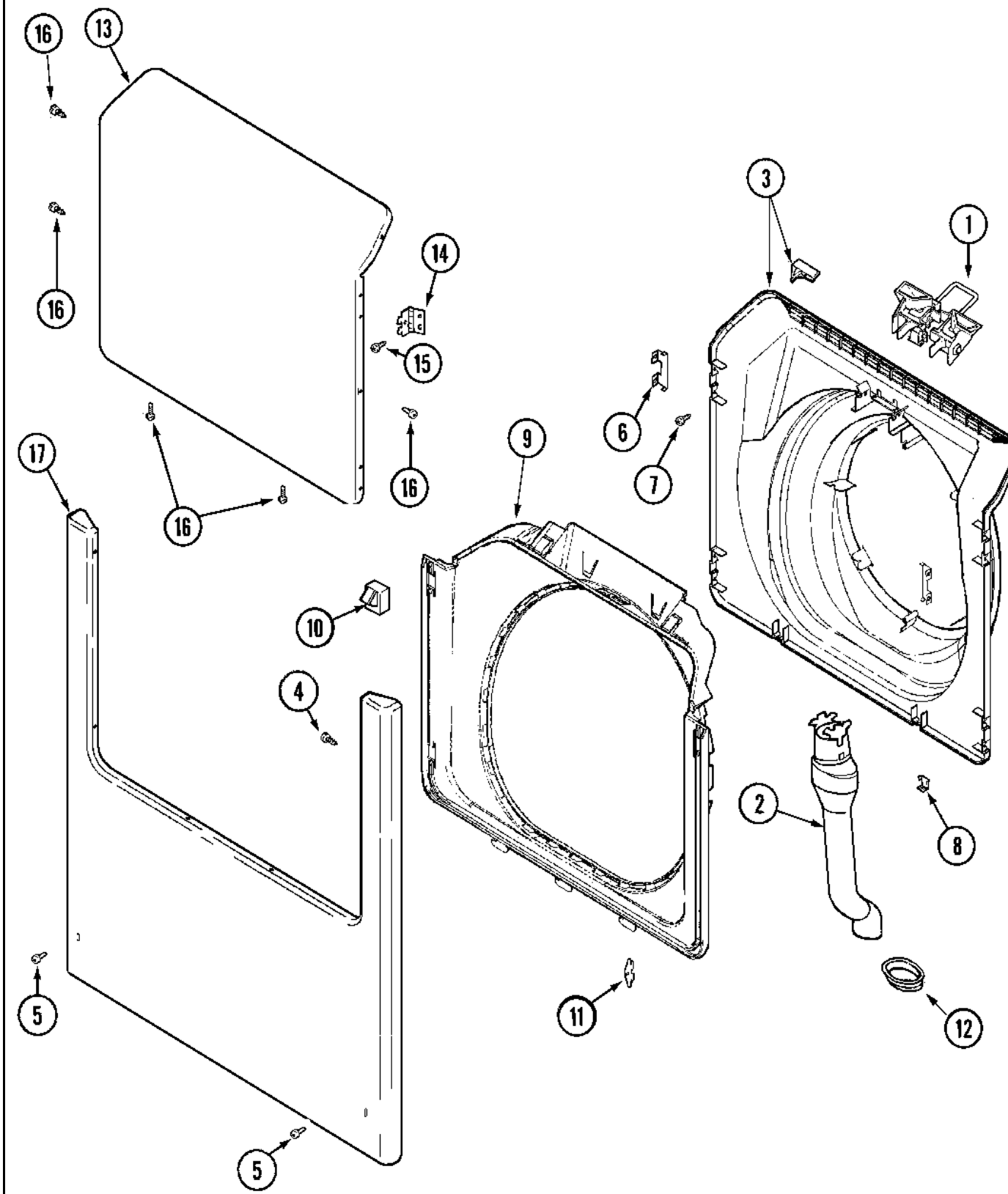
Model: MAH21PDAGW



CW12-34

Section: DOOR & FRONT PANEL

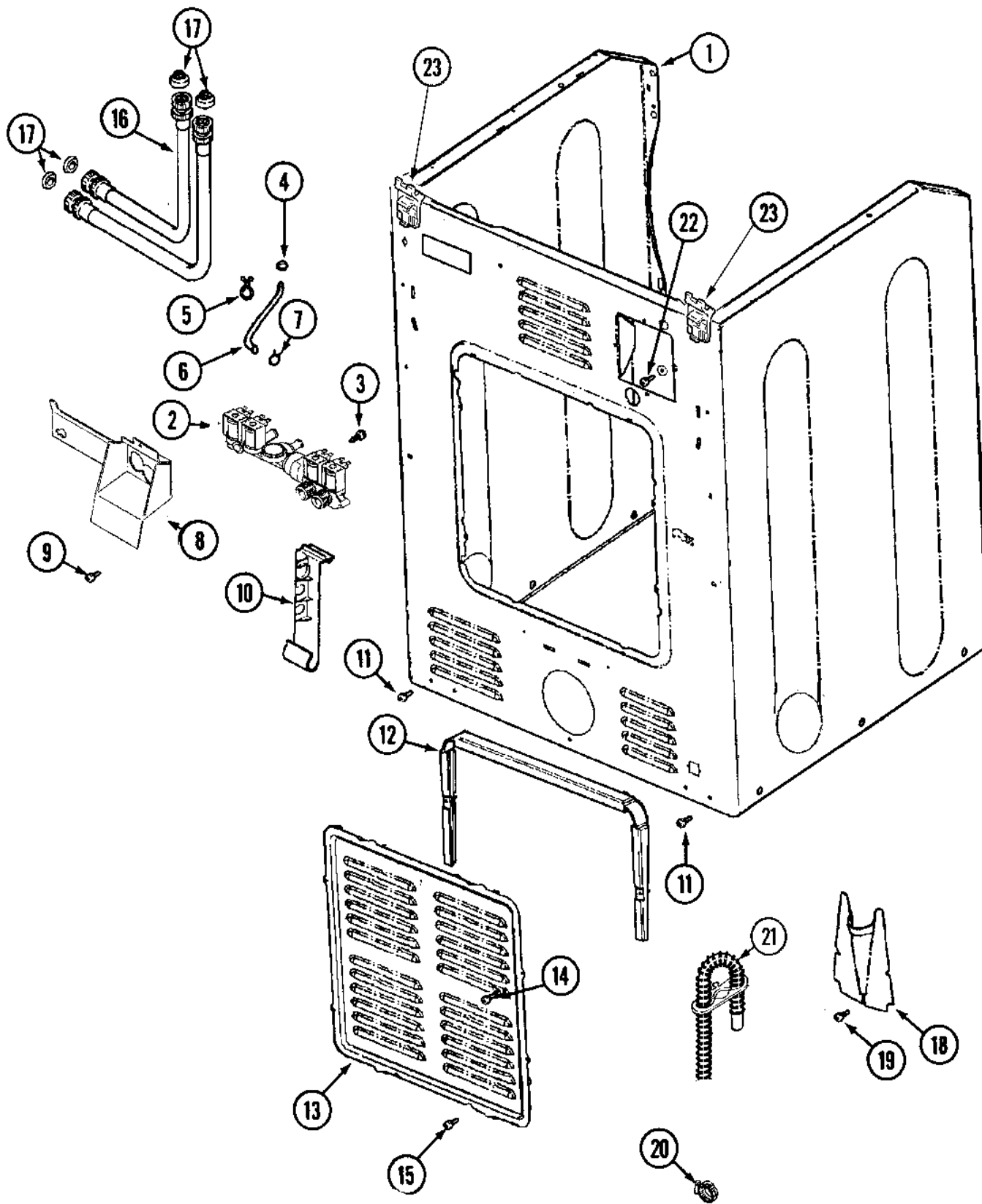
Model: MAH21PDAGW



CD12-19

Section: CABINET-REAR

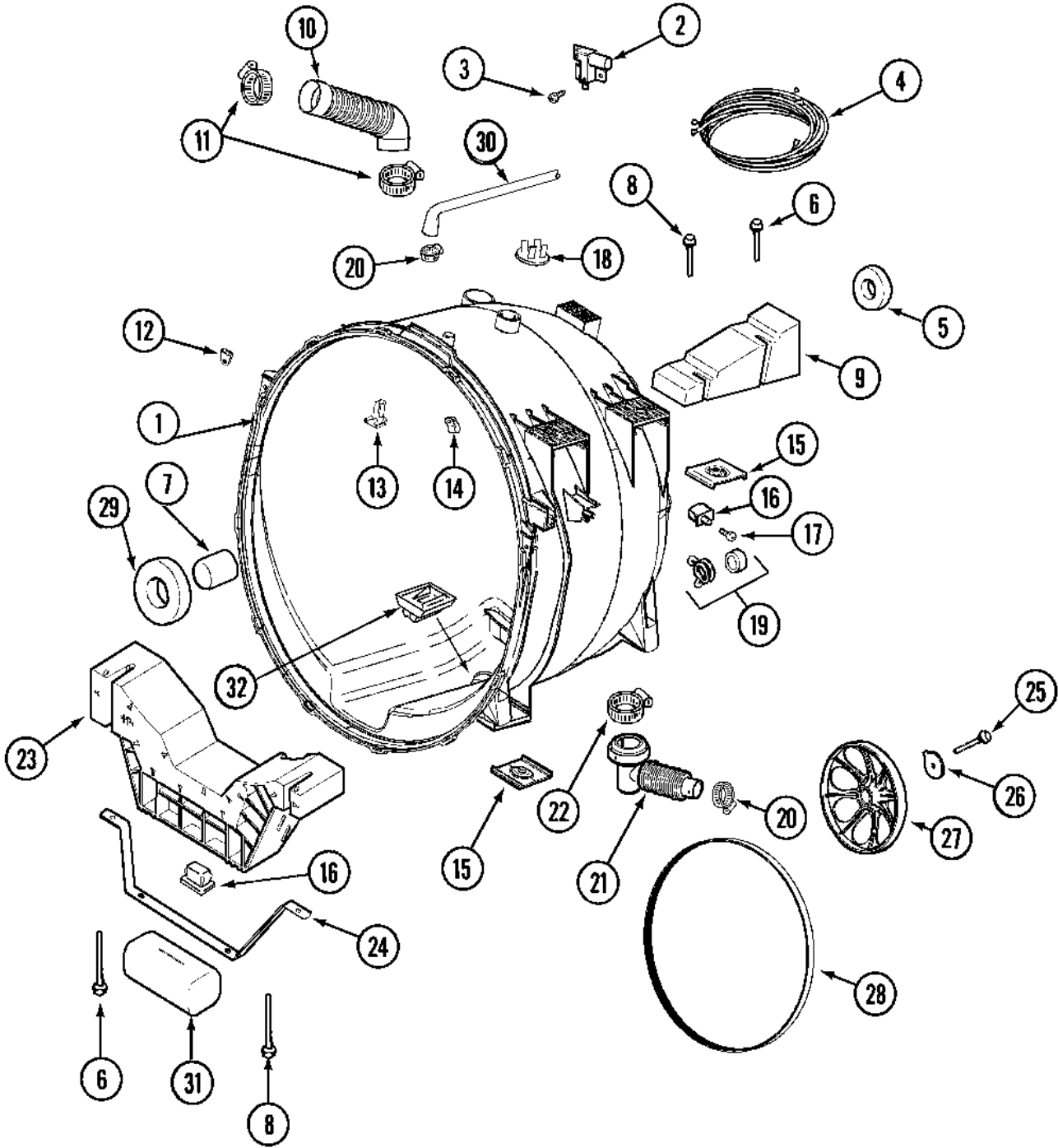
Model: MAH21PDAGW



LW12-93

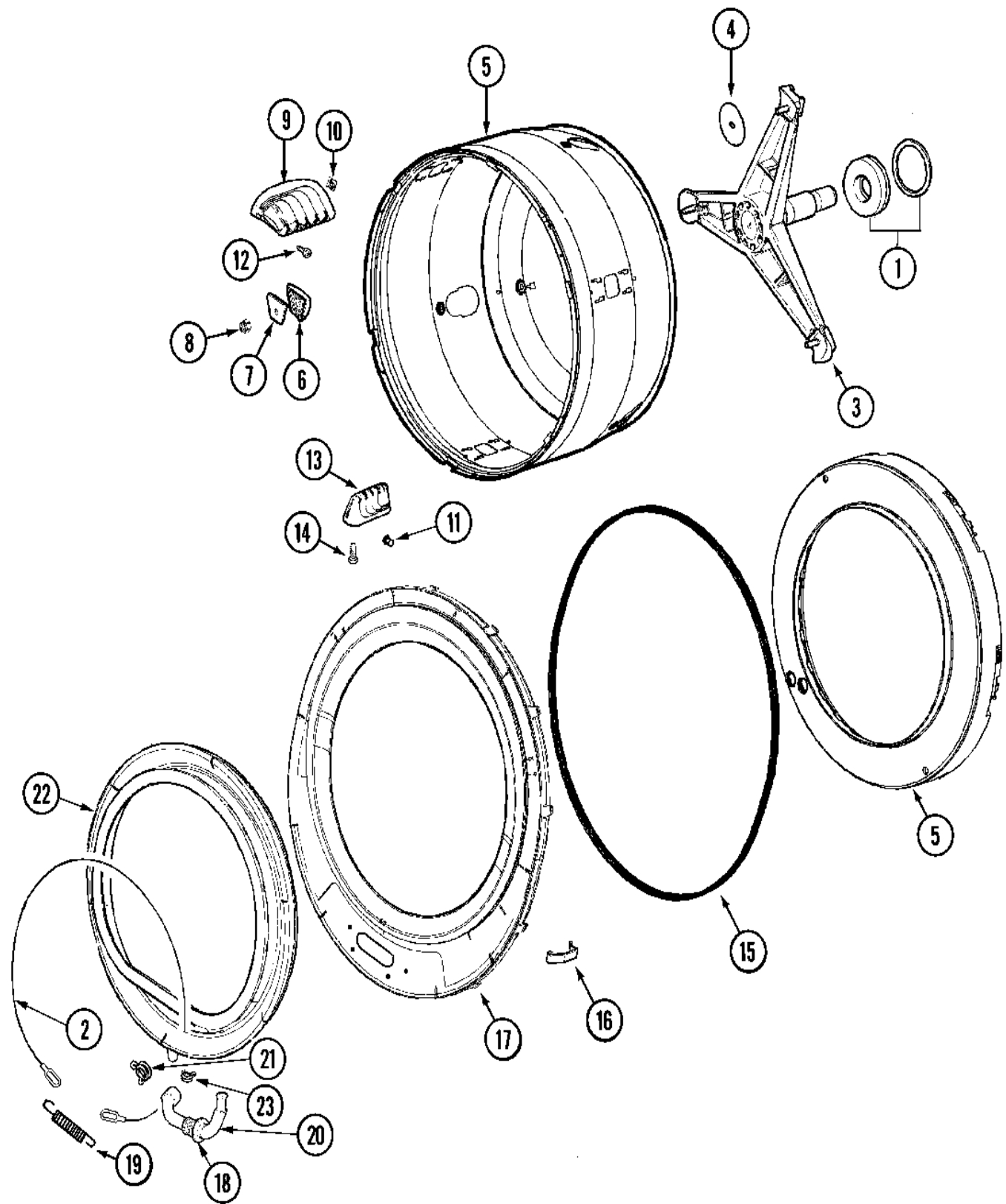
Section: OUTER TUB

Model: MAH21PDAGW



Section: SPINNER ASSEMBLY & OUTER TUB COVER

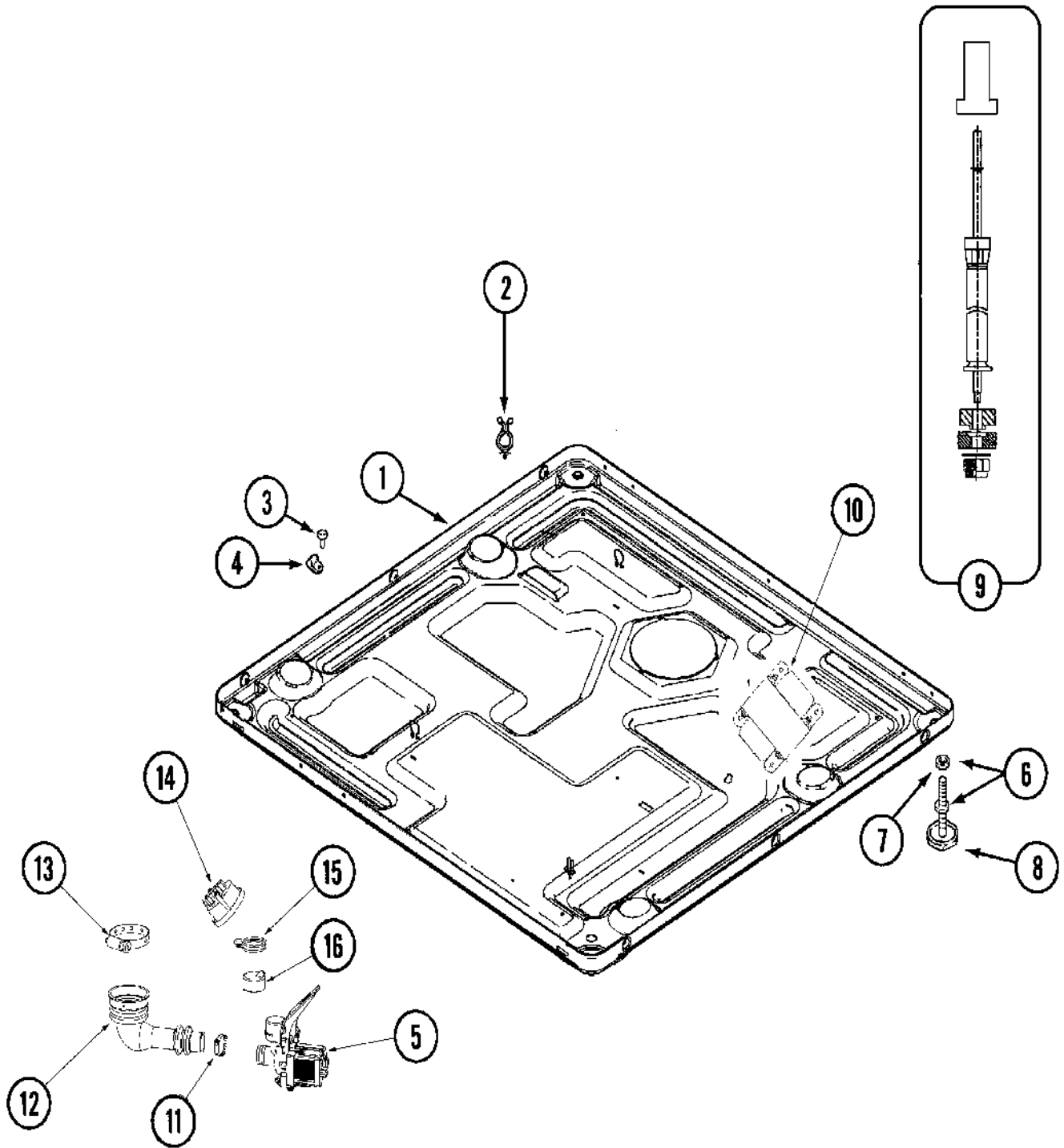
Model: MAH21PDAGW



LW13-42

Section: BASE

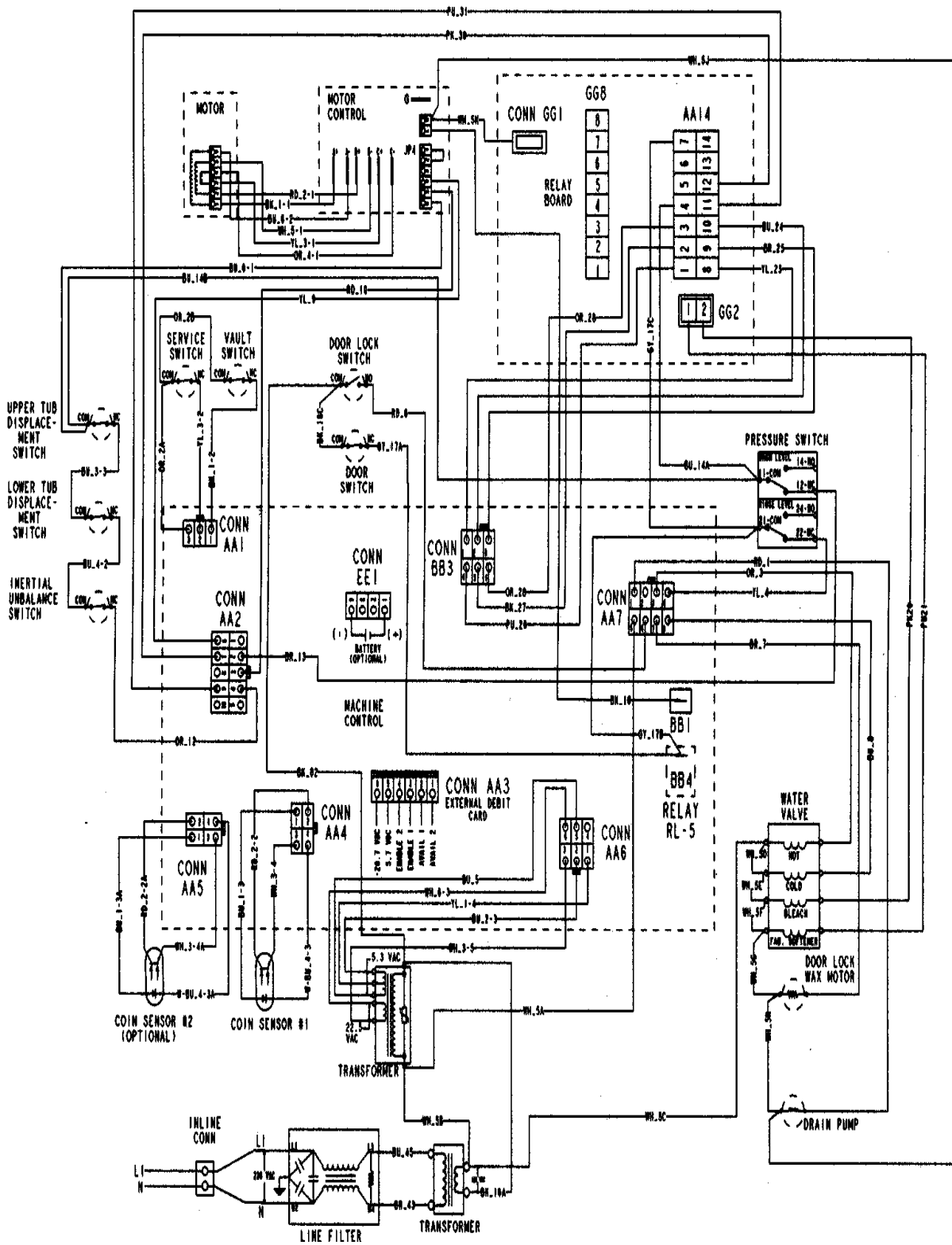
Model: MAH21PDAGW



CW19-43

Section: WIRING INFORMATION

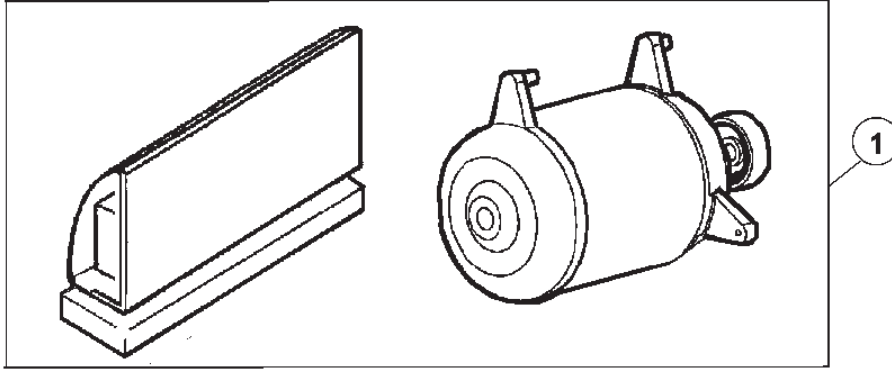
Model: MAH21PDAGW



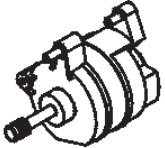

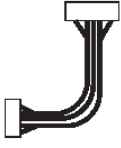
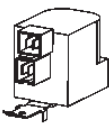




15002876

Section: MOTOR & MOTOR CONTROL

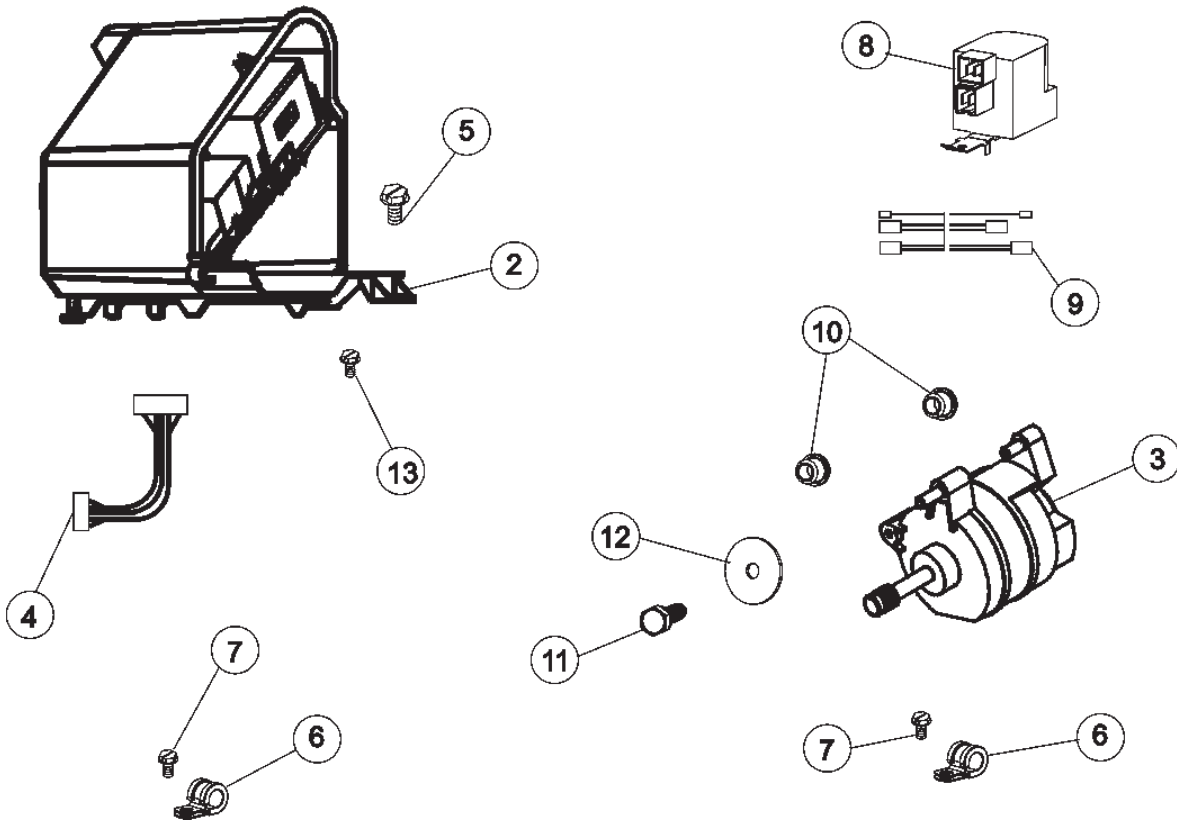
Model: MAH21PDAGW



ITEM 1
KIT CONTAINS:

 <p>120002040 MOTOR W/ISOLATORS</p>	 <p>22004046 MOTOR CONTROL BOARD</p>	 <p>22004047 MOTOR HARNESS</p>	 <p>22003854 AC LINE FILTER</p>	 <p>22004102 "P" CLIPS (2)</p>	 <p>22002300 SCREW "P" CLIPS TO MOTOR</p>	 <p>22004101 LOWER JUMPER WIRE HARNESS</p>	 <p>22004103 SCREW GROUND</p>
--	---	---	--	---	--	---	--

(SEE TEXT FOR ITEMS 2, 3, 4 AND 8)



CW23-04