

WASHER

Repair Parts List

MODEL NUMBER
MAT13MNDGW

When requesting service or ordering parts, always provide the following information:

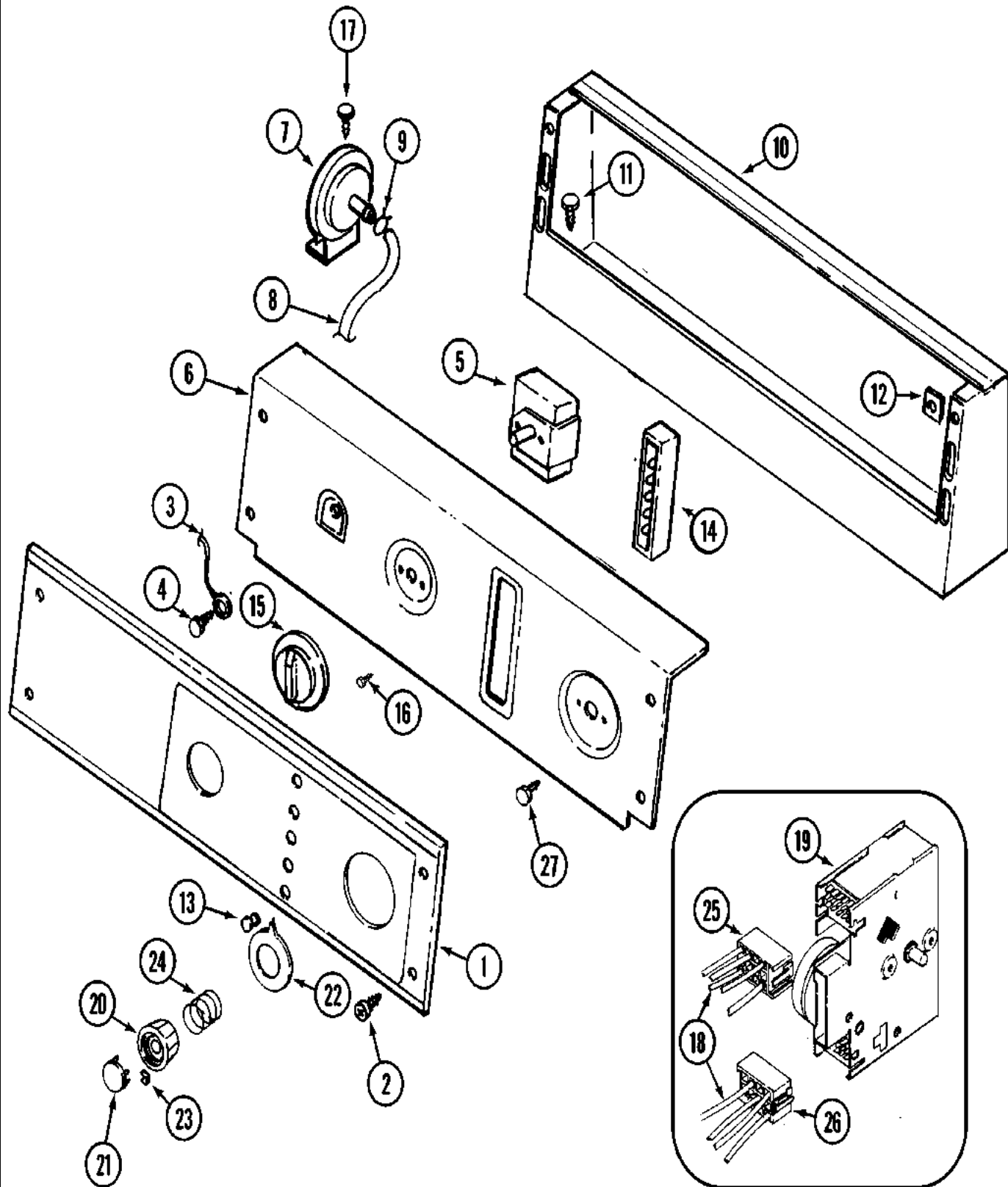
- Product Type
- Part Number
- Model Number
- Part Description

MAYTAG®

©2005 Maytag Services

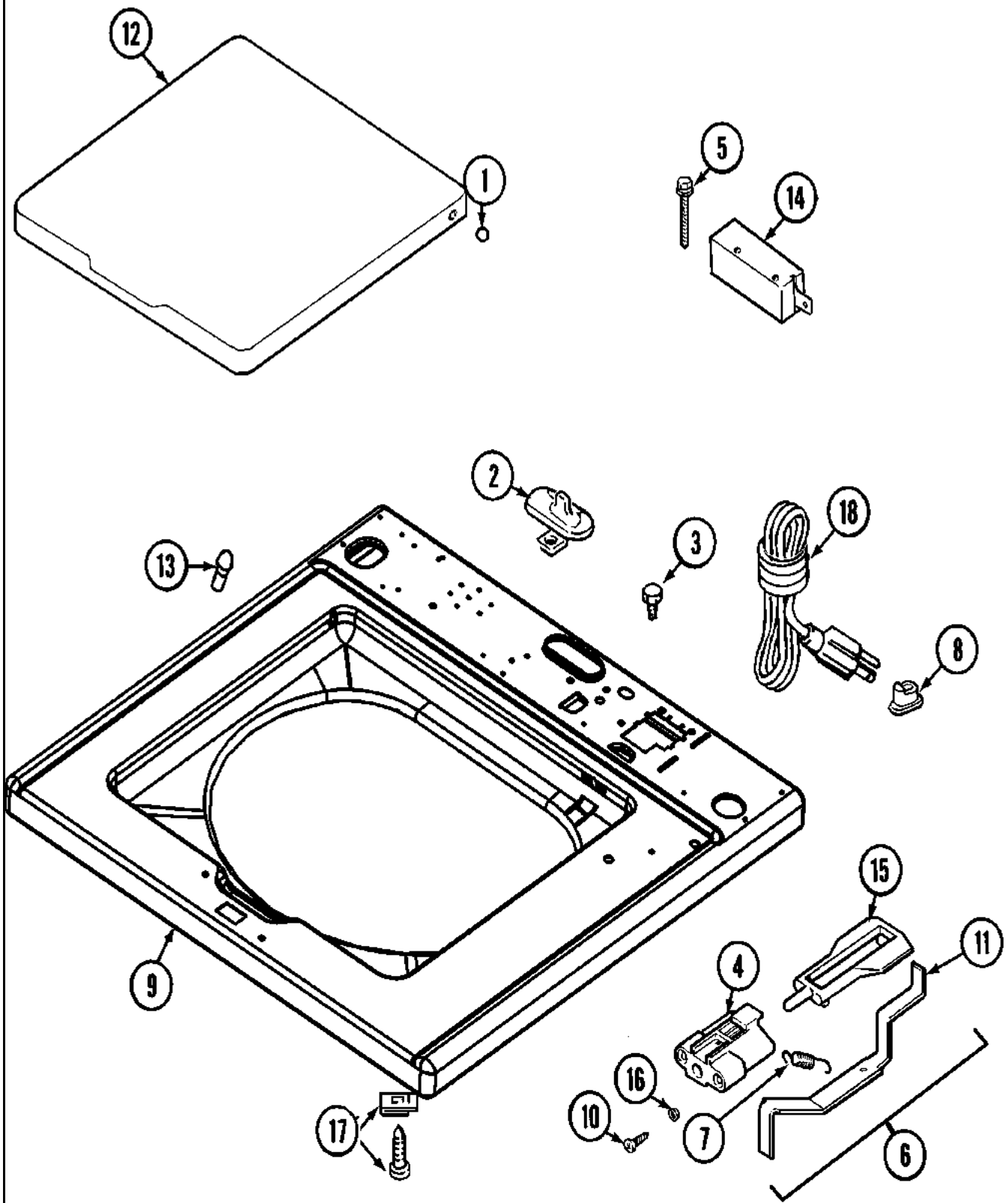
Section: CONTROL PANEL

Model: MAT13MNDGW



Section: TOP

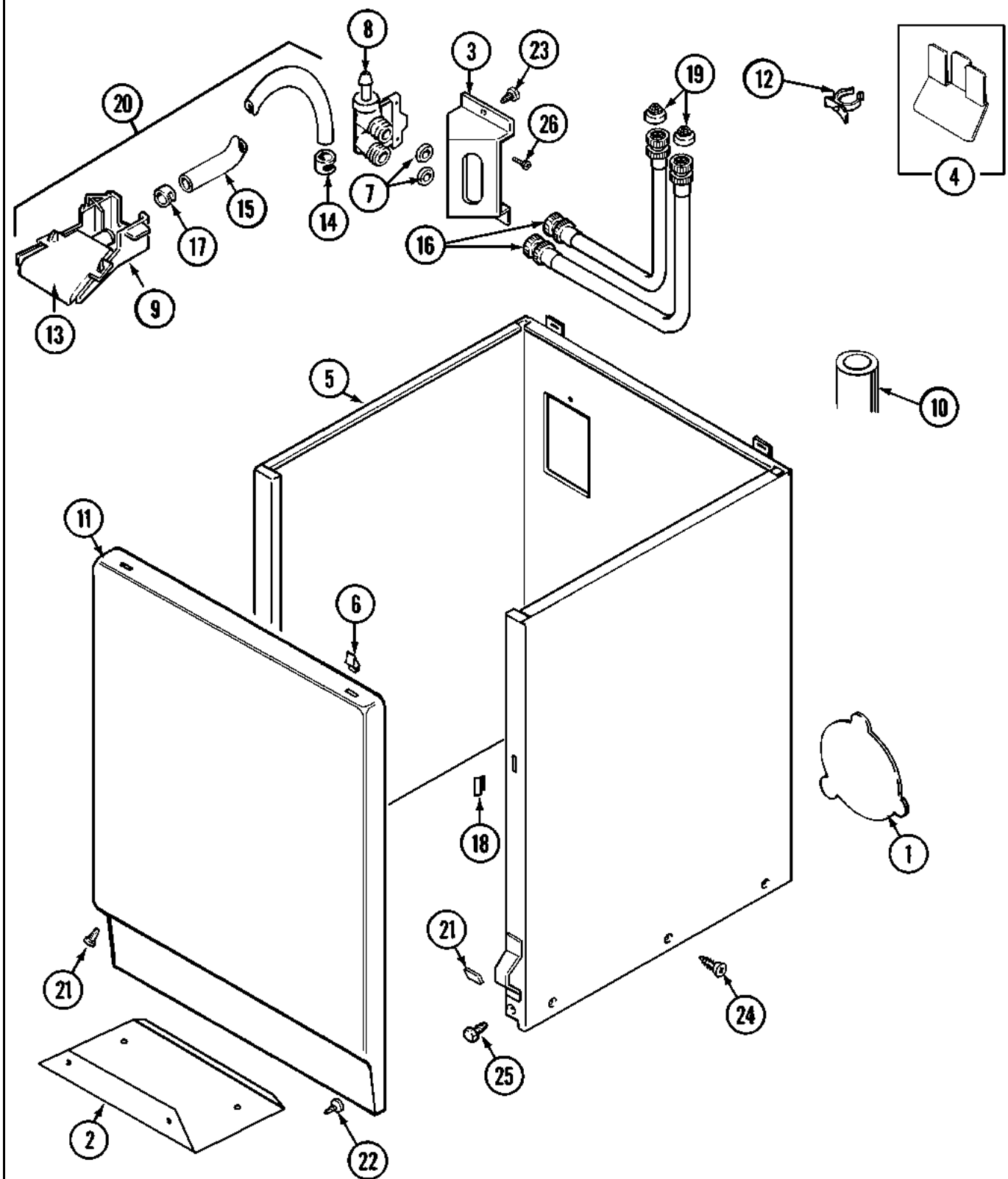
Model: MAT13MNDGW



CW13-22

Section: CABINET

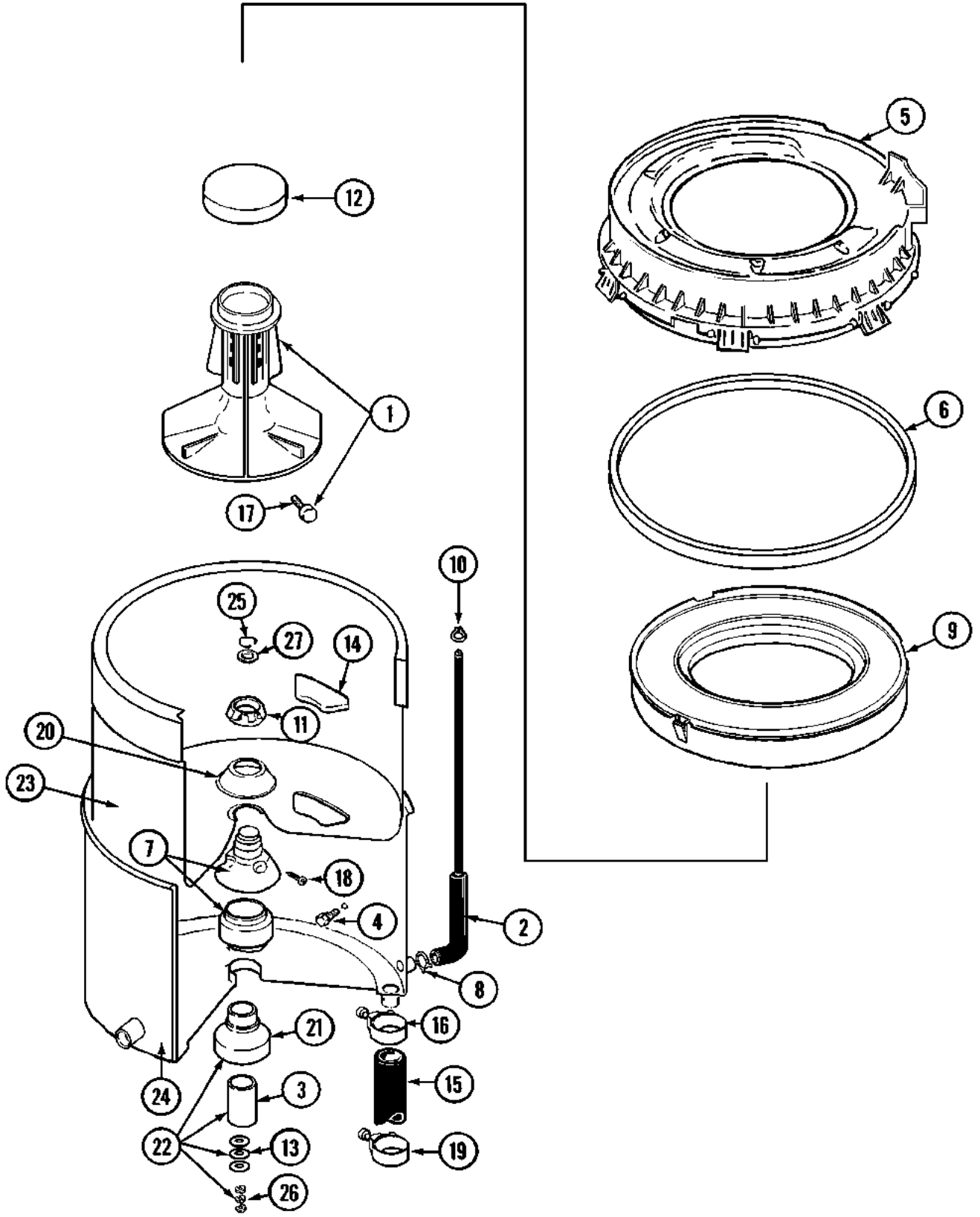
Model: MAT13MNDGW



CW12-44

Section: TUB

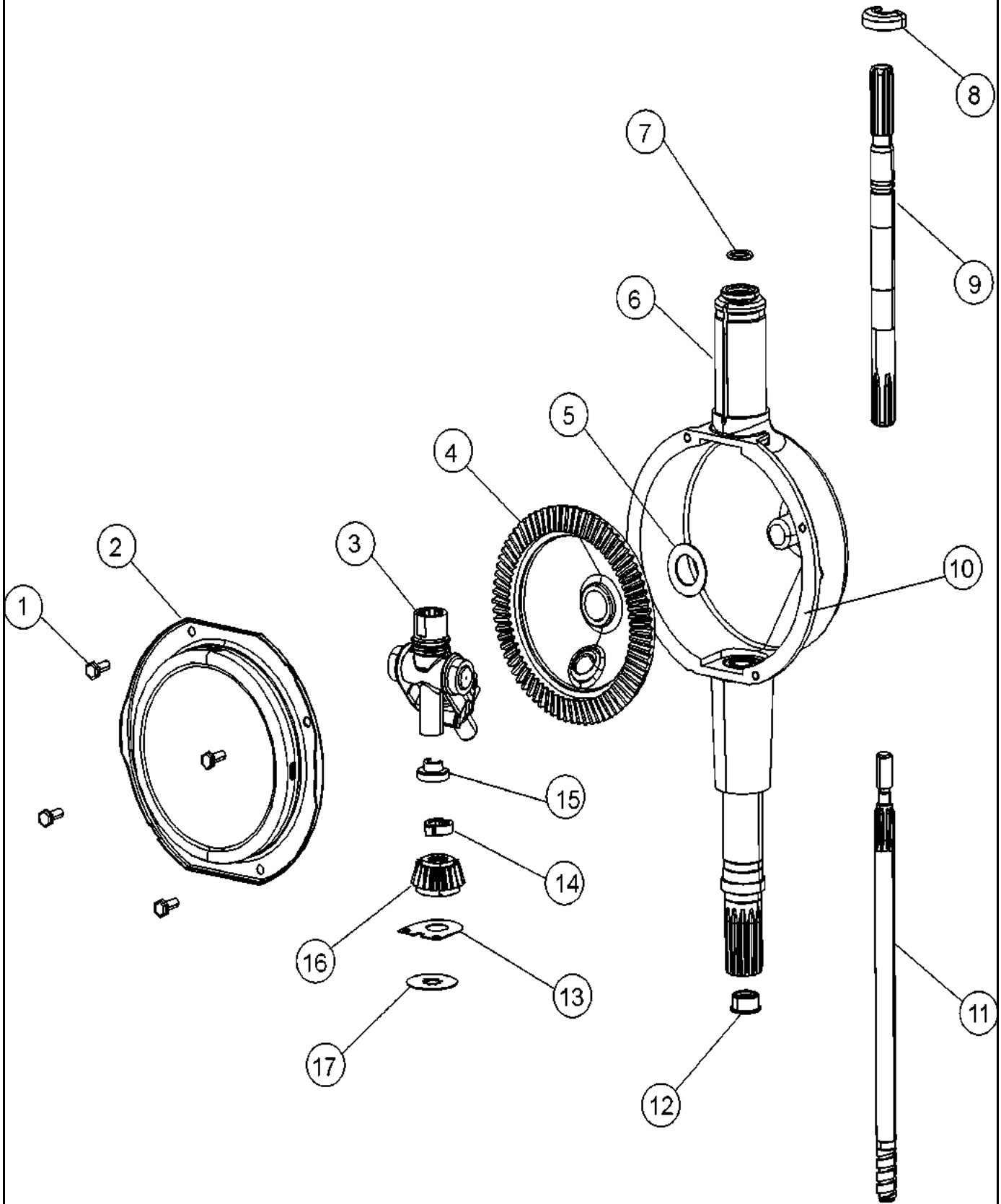
Model: MAT13MNDGW



CW17-5

Section: TRANSMISSION

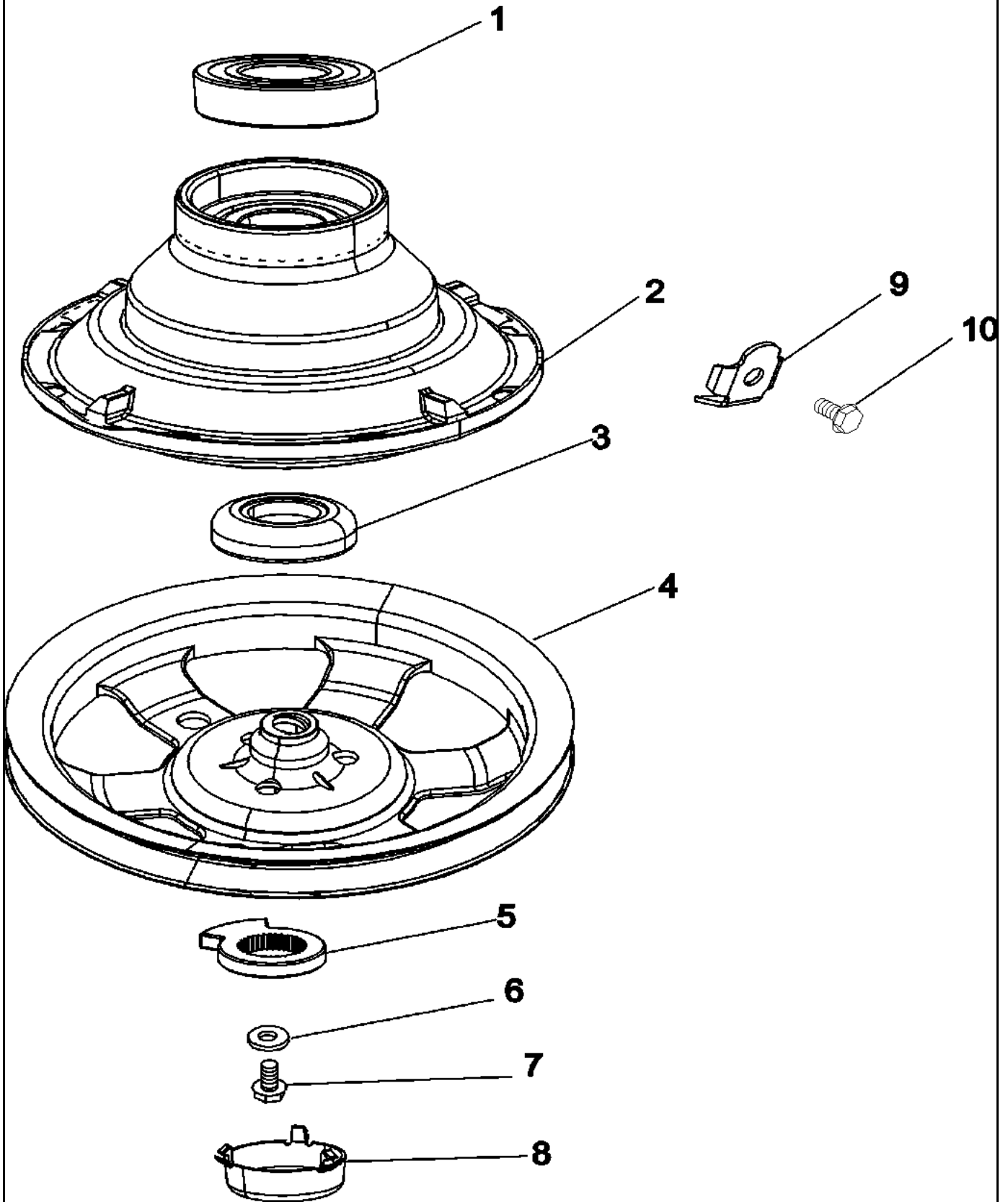
Model: MAT13MNDGW



CW18-3

Section: CLUTCH & BRAKE

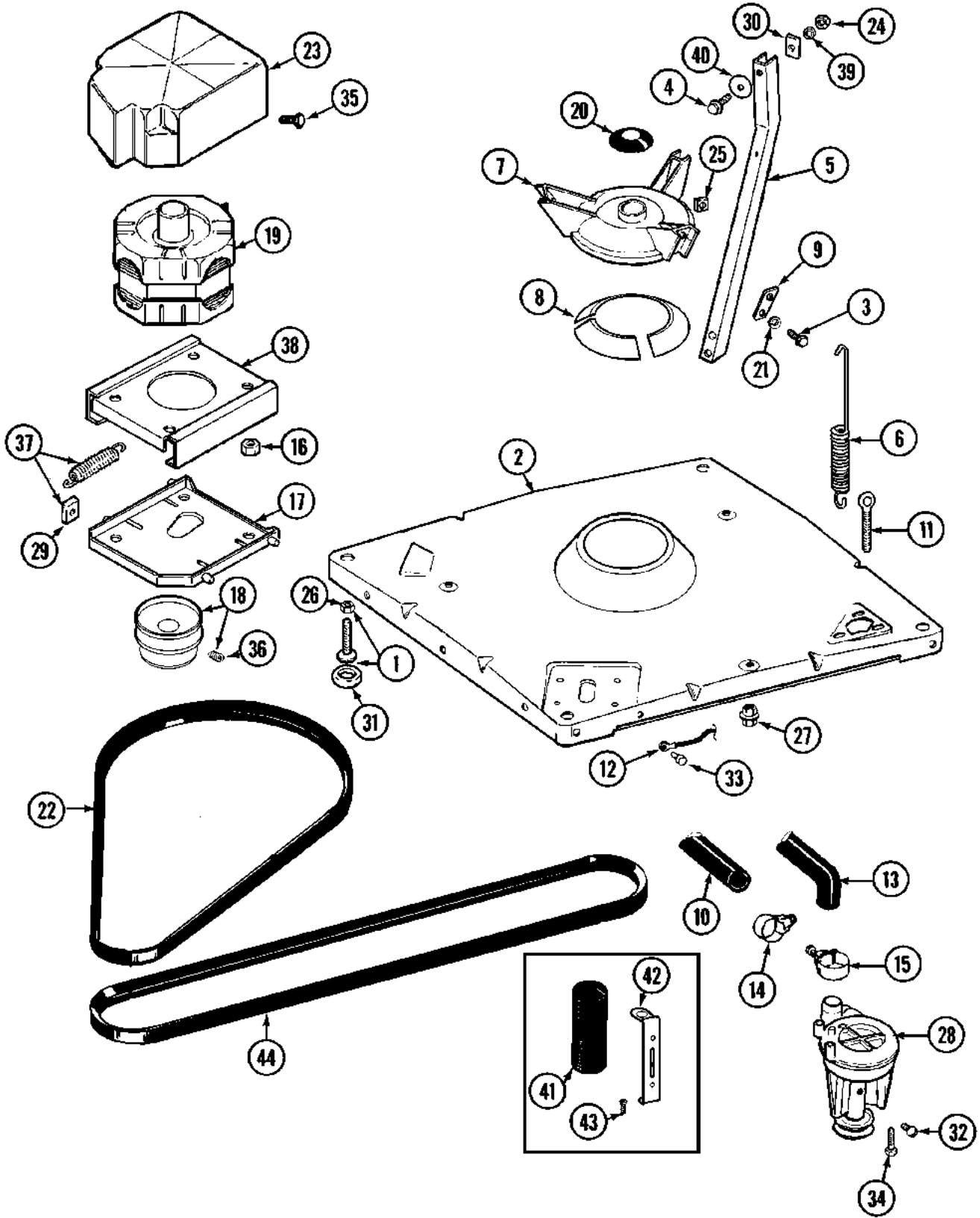
Model: MAT13MNDGW



CW20-11

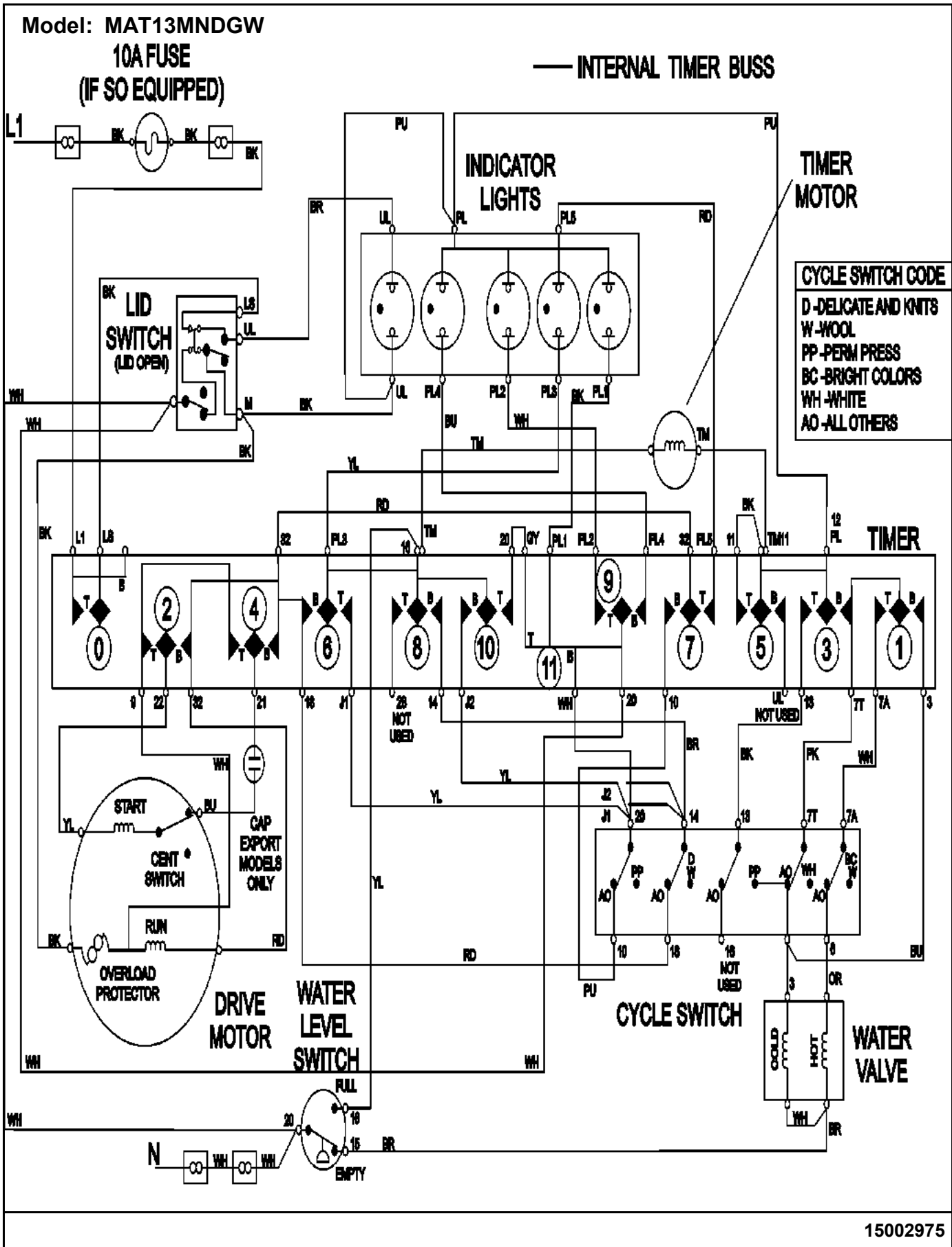
Section: BASE

Model: MAT13MNDGW



CW19-35

Section: WIRING INFORMATION



15002975

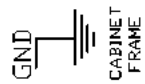
Section: WIRING INFORMATION SERIES13

Model: MAT13MNDGW

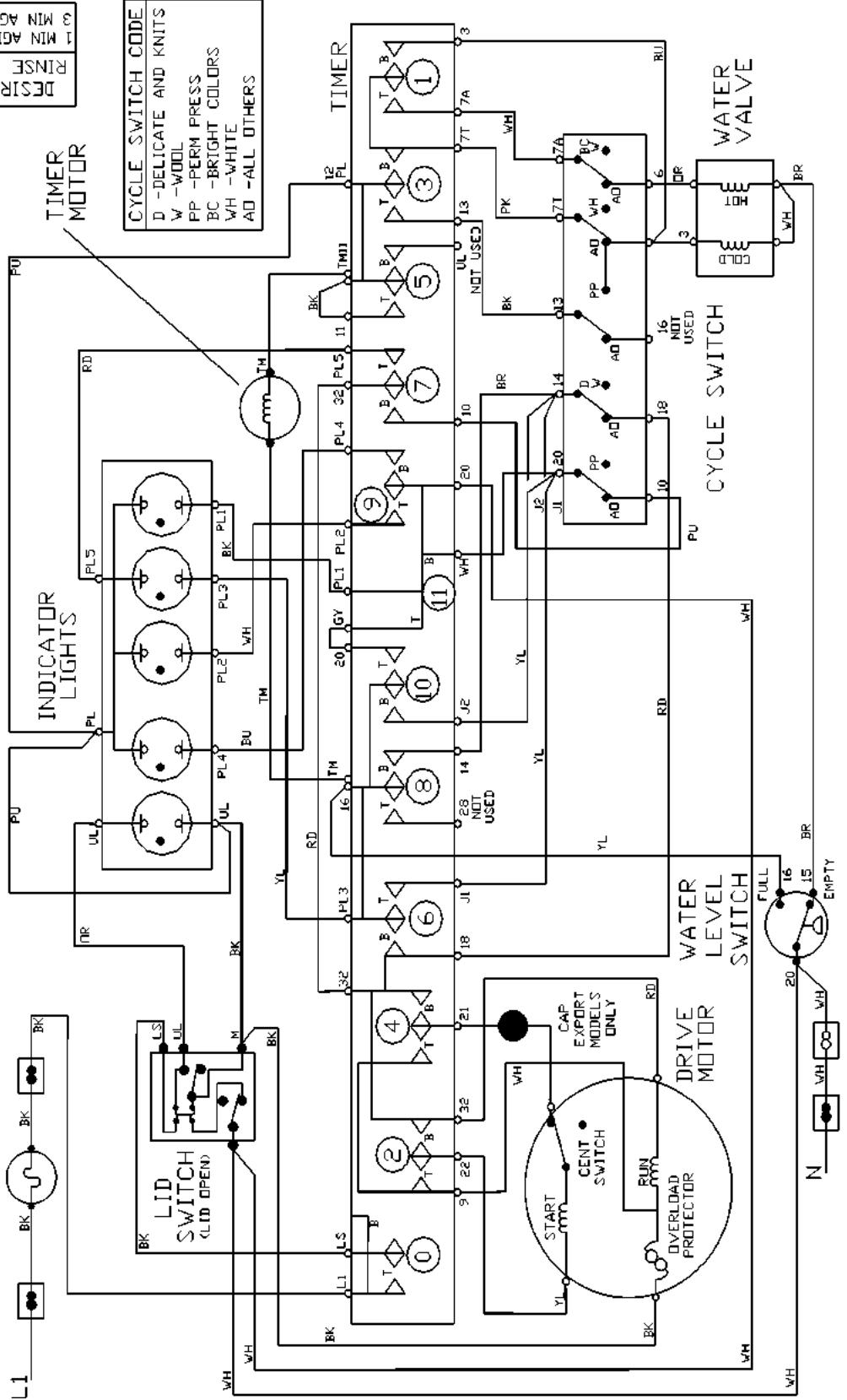
DESIRED RINSE TIME CONNECTIONS REQUIRED	3 MIN AGITATE 1 MIN AGITATE CONNECT J1 & J2 TO 20
---	---

CYCLE SWITCH CODE

D	- DELICATE AND KNITS
W	- WOOL
PP	- PERM PRESS
BC	- BRIGHT COLORS
WH	- WHITE
AD	- ALL OTHERS



10A FUSE
(IF SO EQUIPPED)



2201379

15003634