

DRYER

Repair Parts List

MODEL NUMBER
MDG120PHVW

When requesting service or ordering parts, always provide the following information:

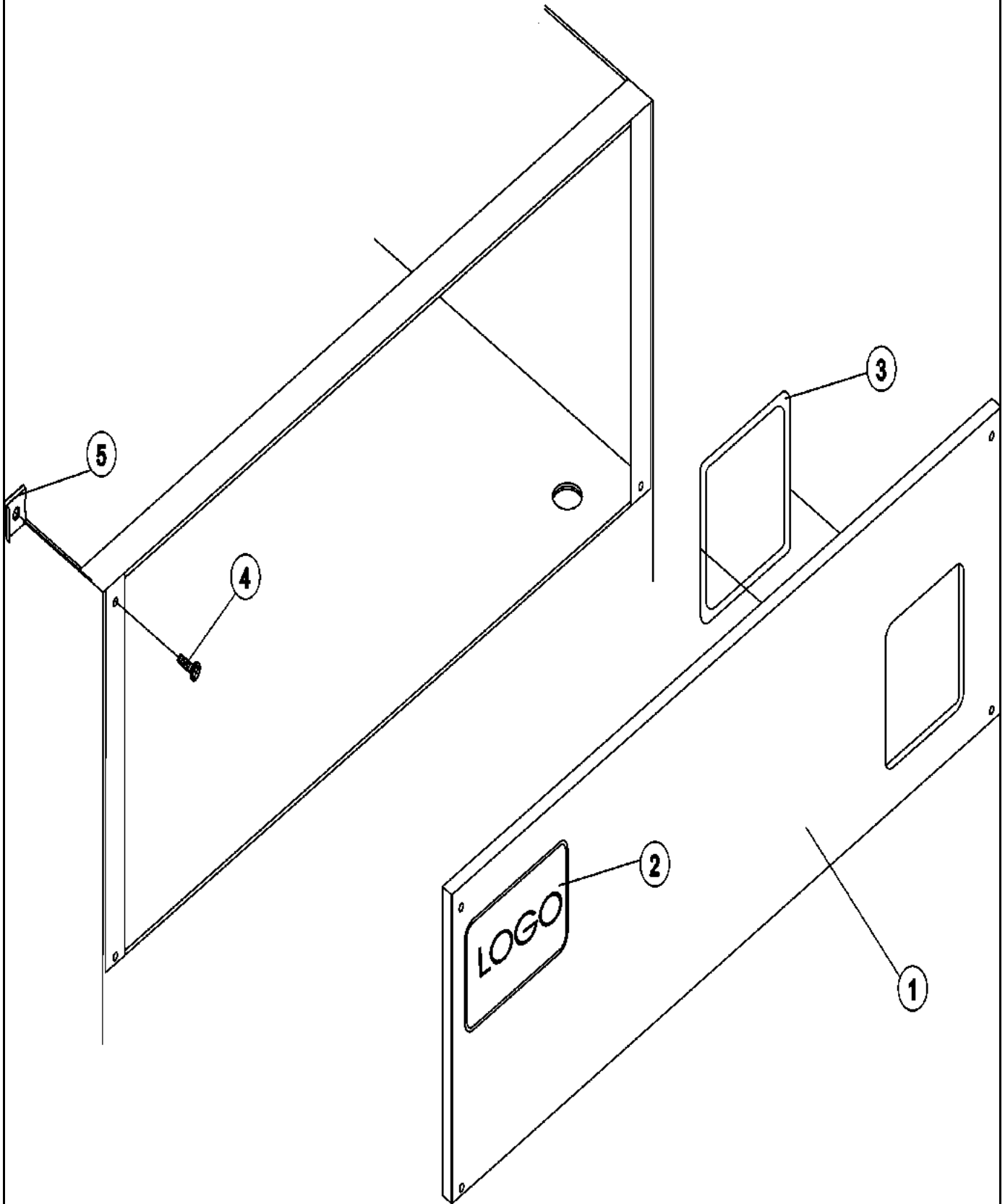
- Product Type
- Part Number
- Model Number
- Part Description

MAYTAG®

©2005 Maytag Services

Section: CONTROL DOOR

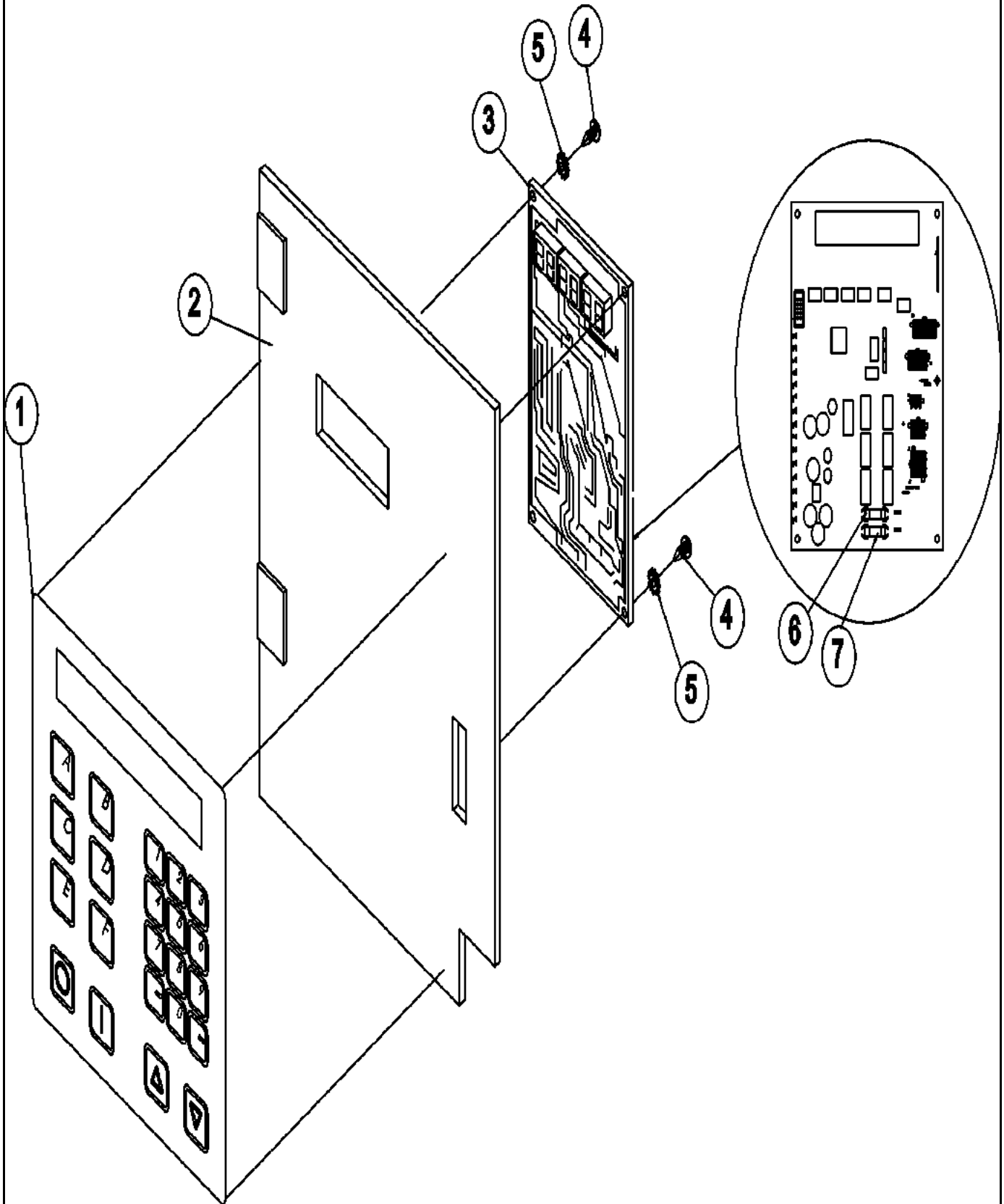
Model: MDG120PHVW



OD22-05

Section: CONTROL PANEL(MICROPROCESSOR)

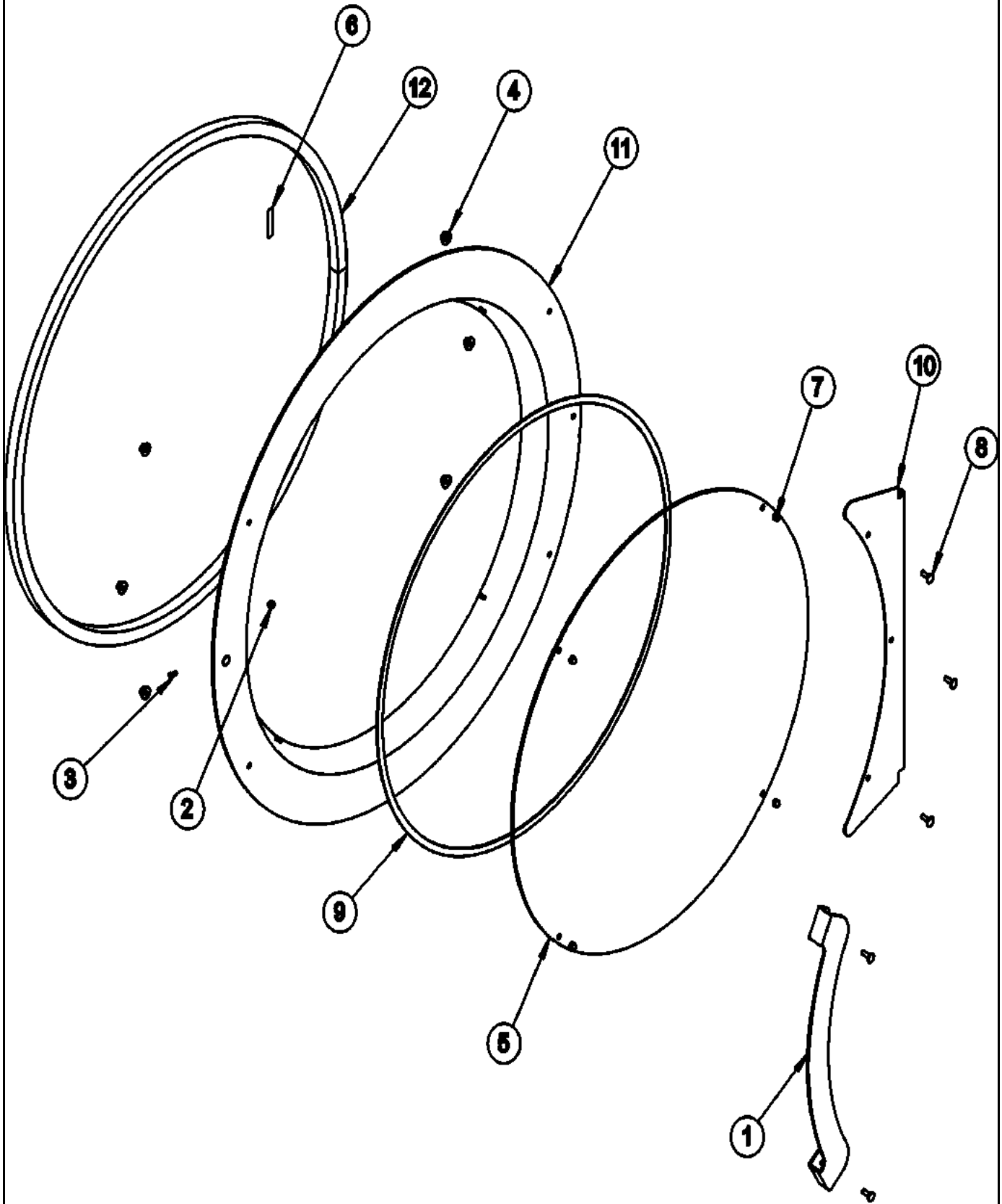
Model: MDG120PHVW



OD11-02

Section: FRONT DOOR

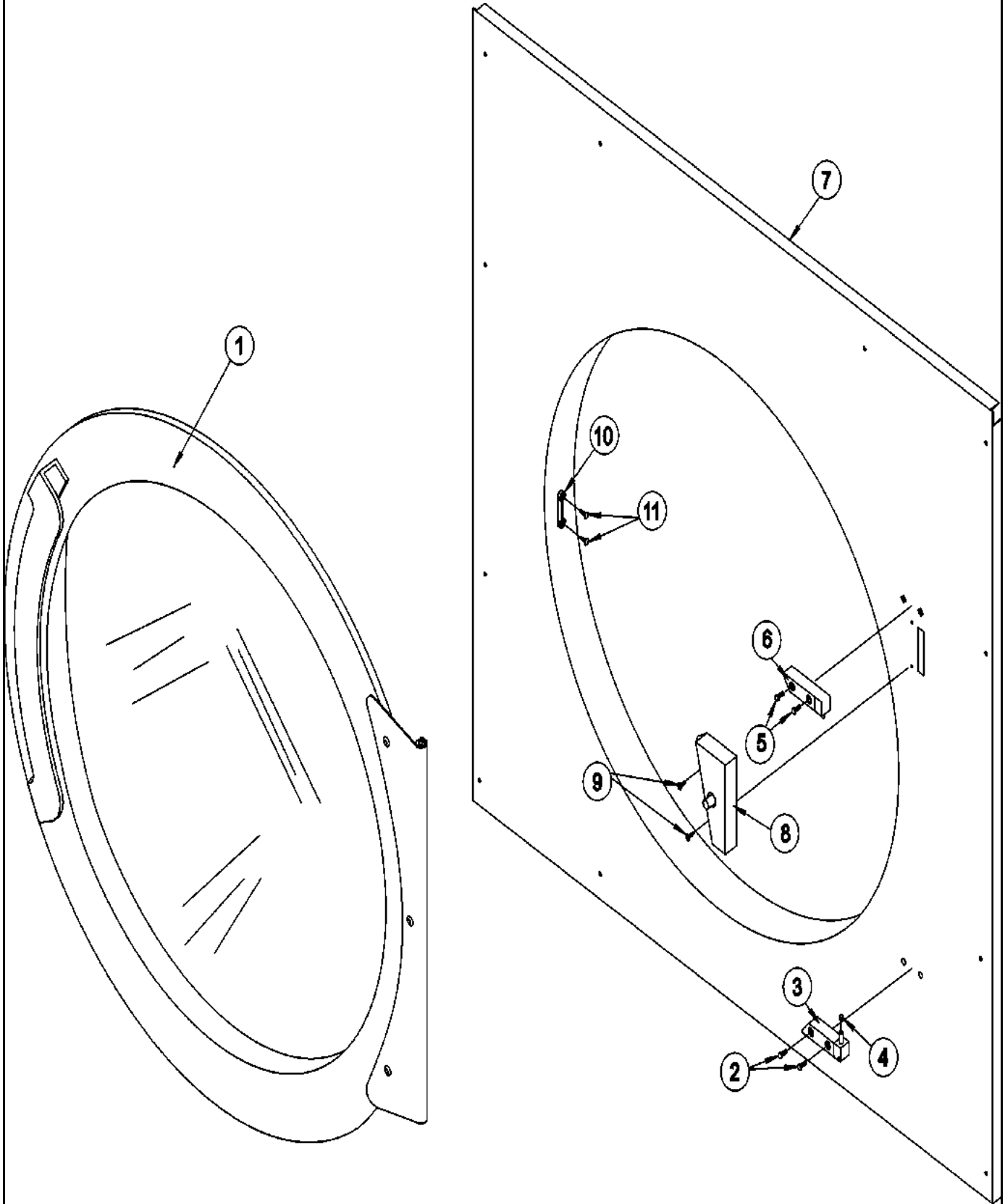
Model: MDG120PHVW



OD10-02

Section: FRONT PANEL

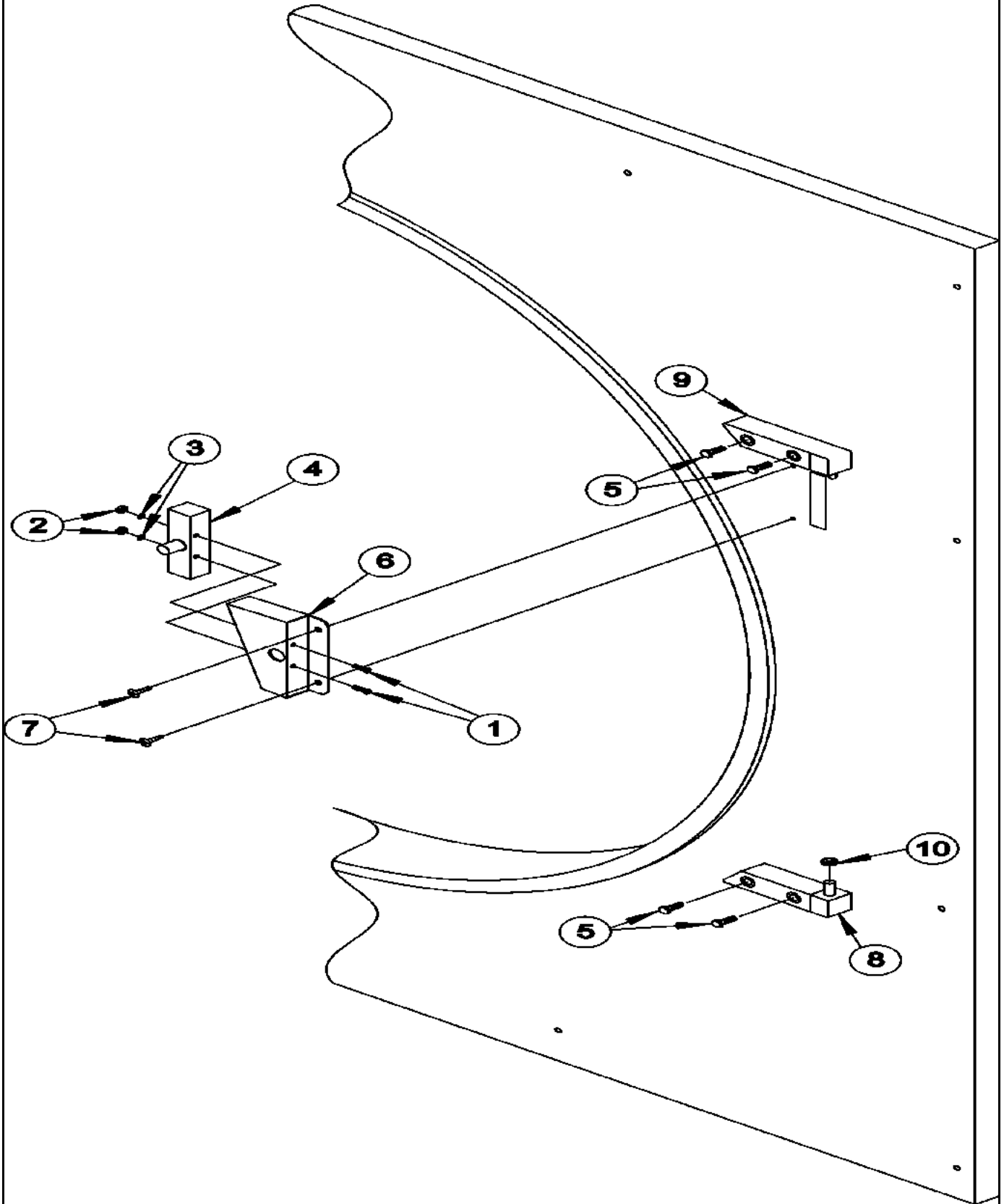
Model: MDG120PHVW



OD12-03

Section: DOOR SWITCH

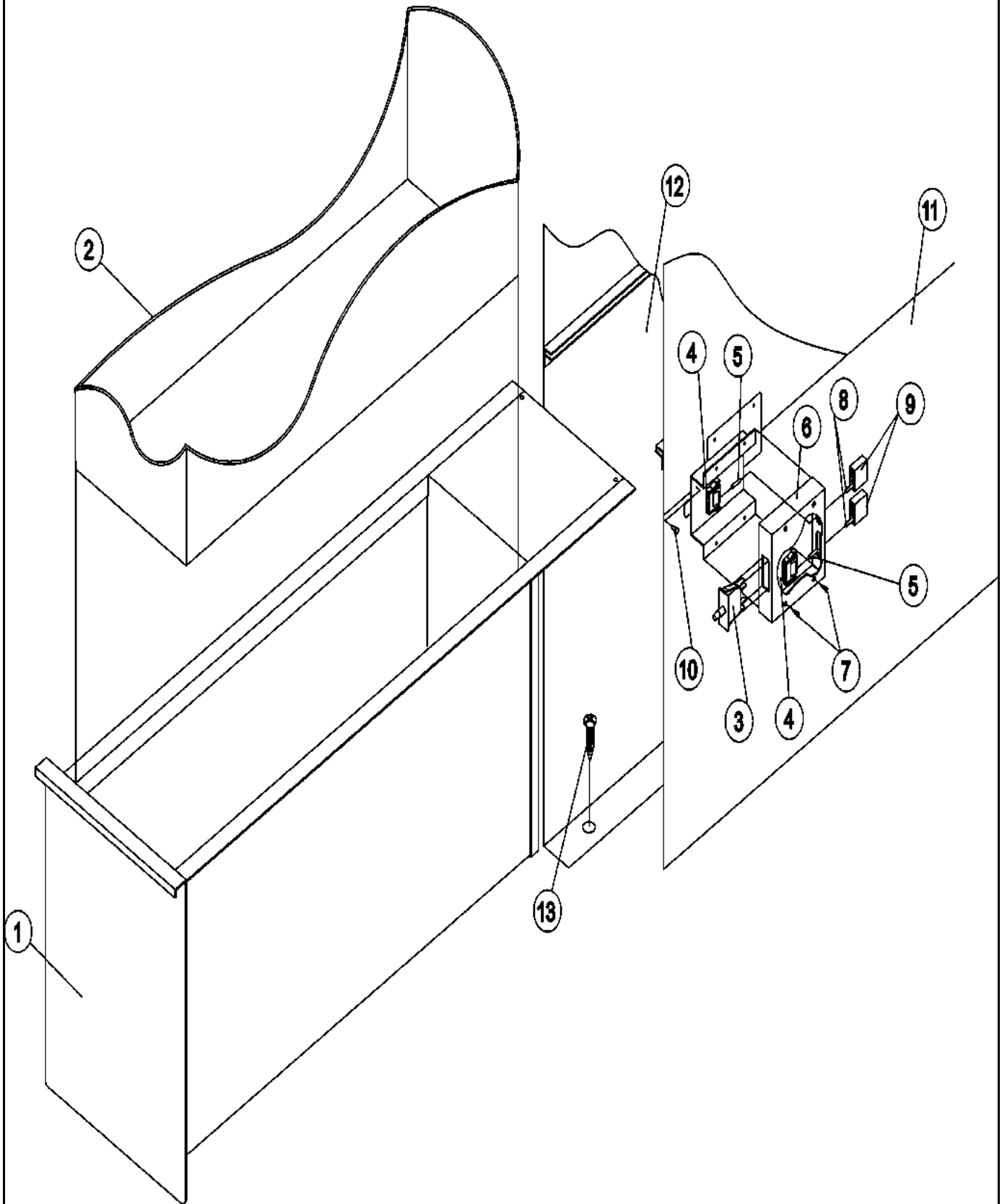
Model: MDG120PHVW



OD26-02

Section: LINT DRAWER/SWITCH

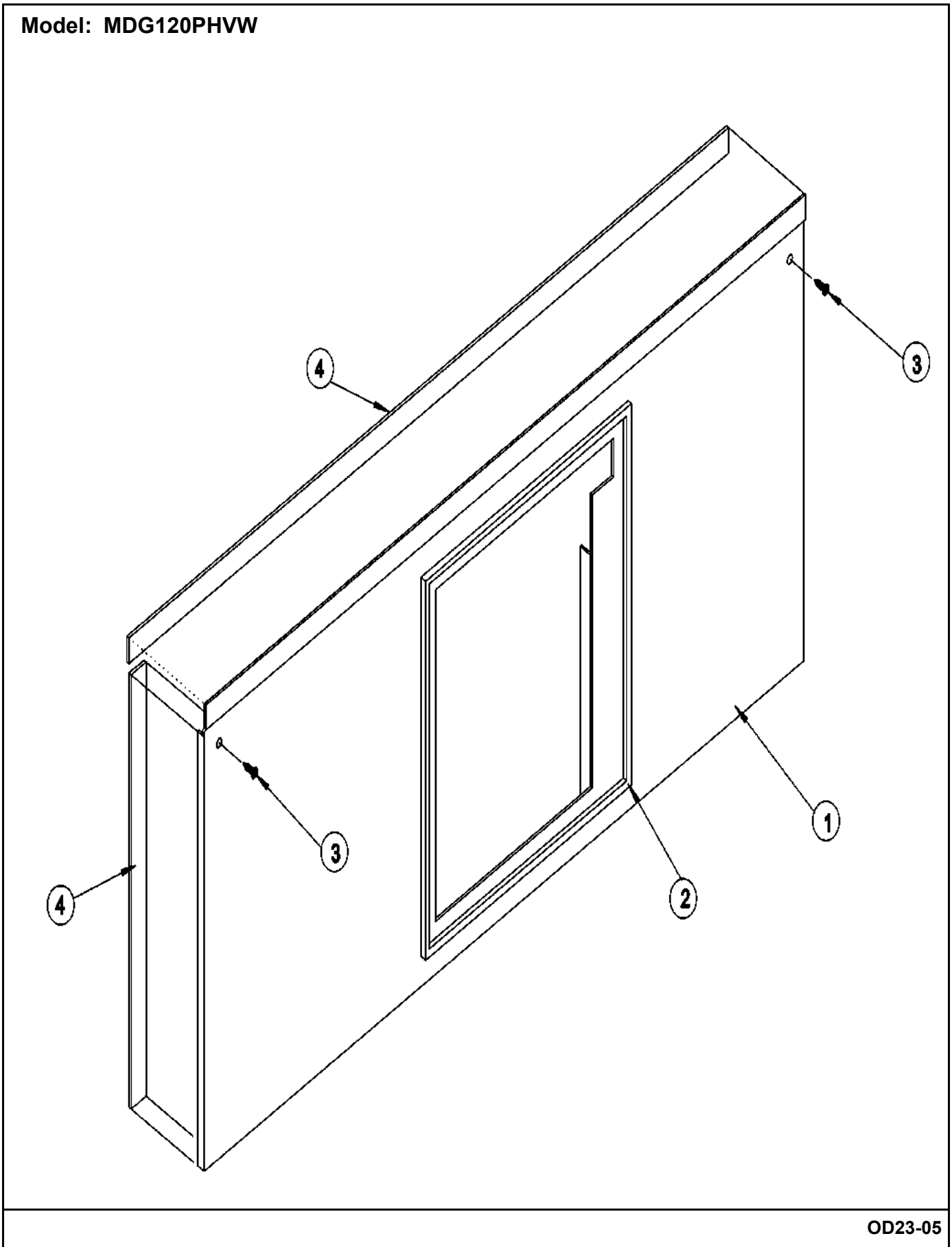
Model: MDG120PHVW



OD16-07

Section: LINT DOOR

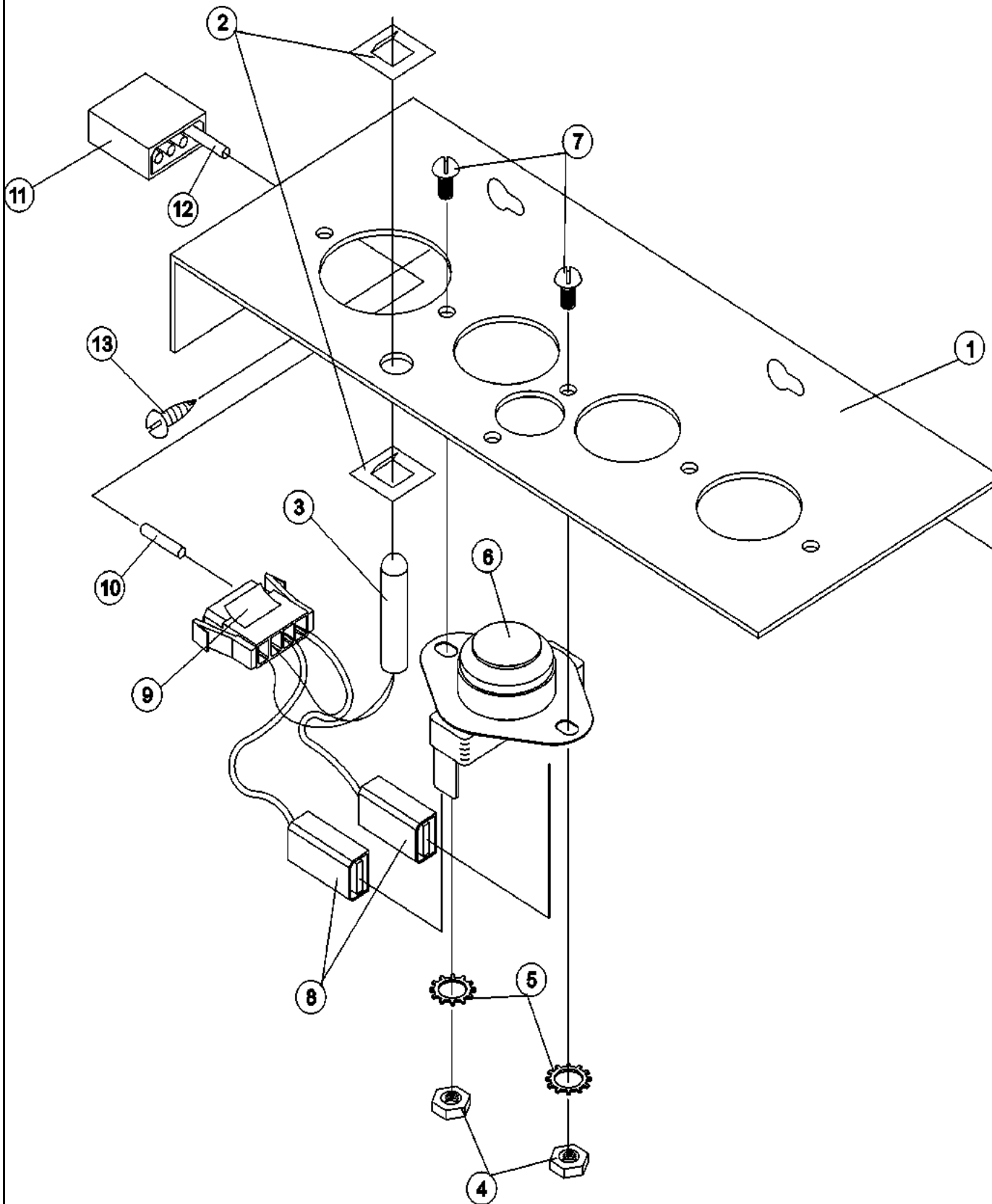
Model: MDG120PHVW



OD23-05

Section: TEMPERATURE SENSOR BRACKET

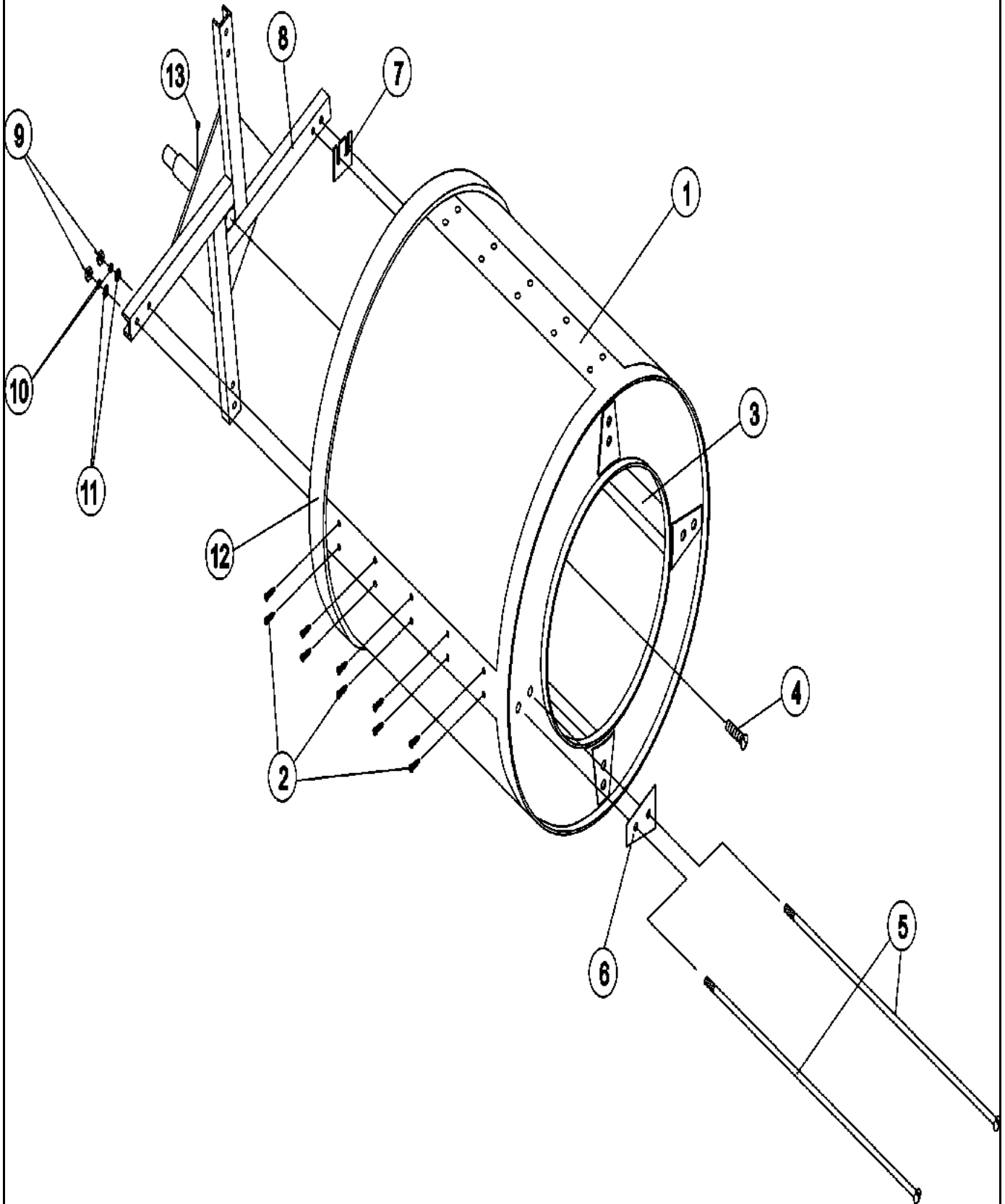
Model: MDG120PHVW



OD28-03

Section: TUMBLER SUPPORT

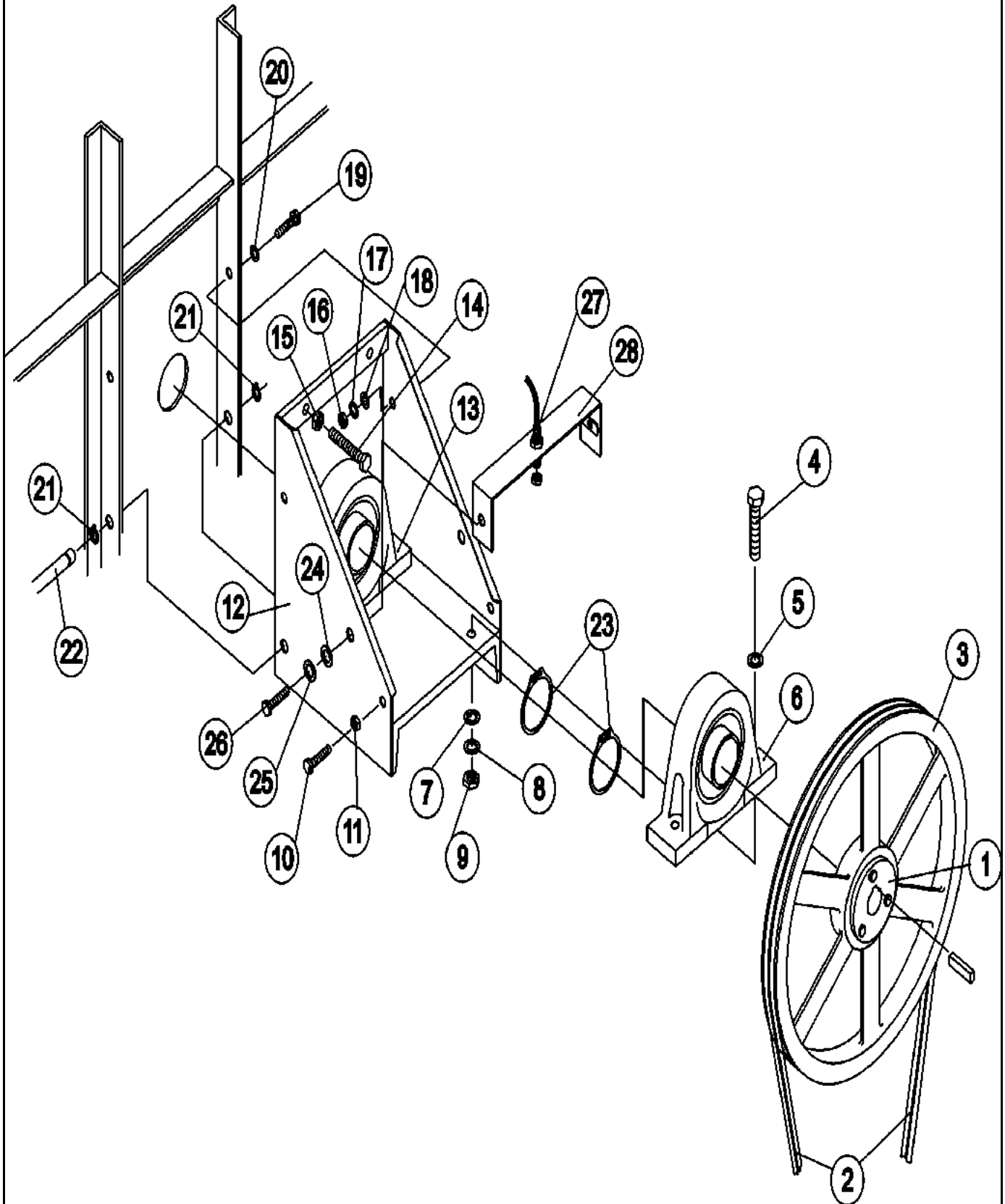
Model: MDG120PHVW



OD27-07

Section: TUMBLER BEARING MOUNT

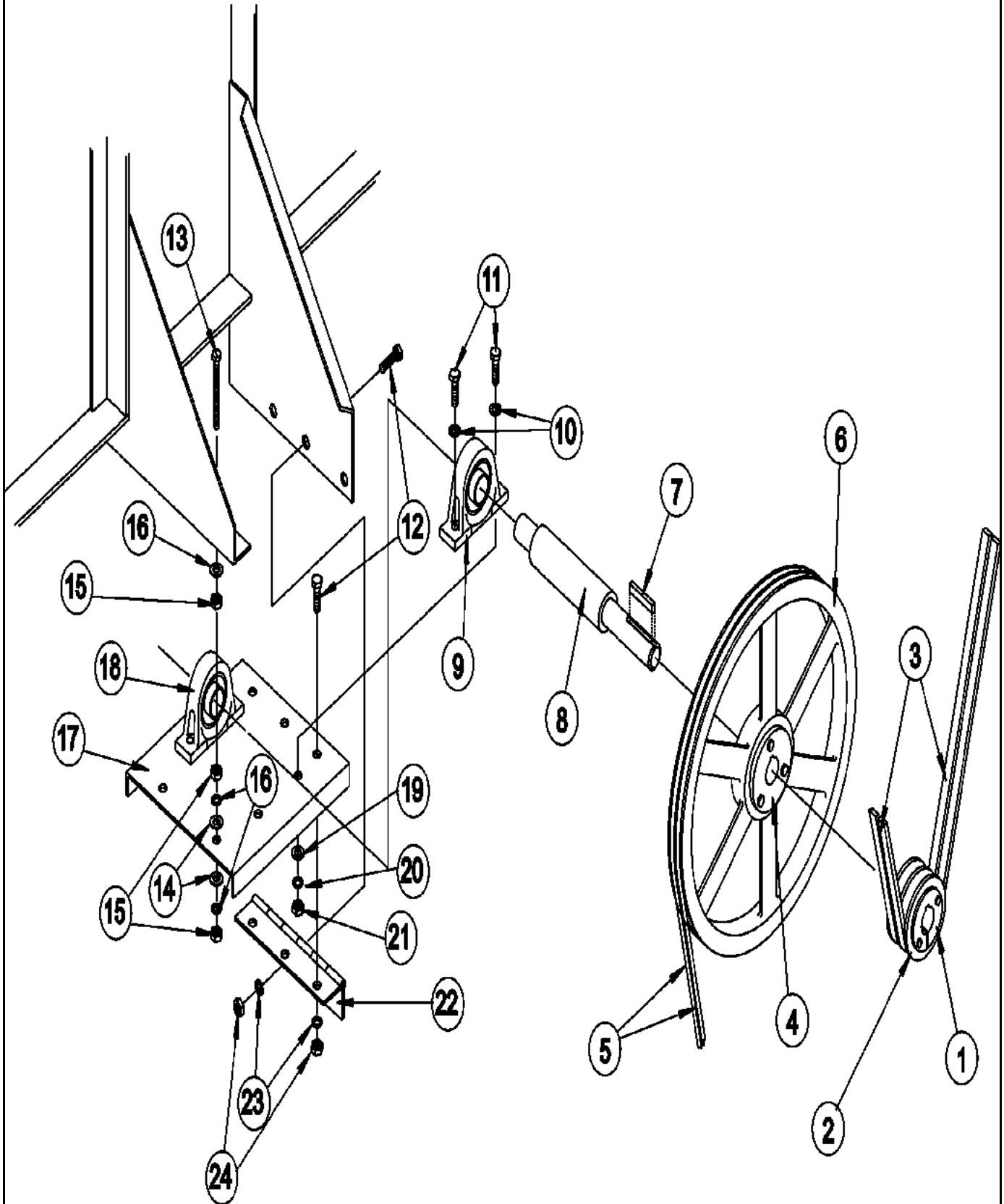
Model: MDG120PHVW



OD27-08

Section: IDLER BEARING MOUNT

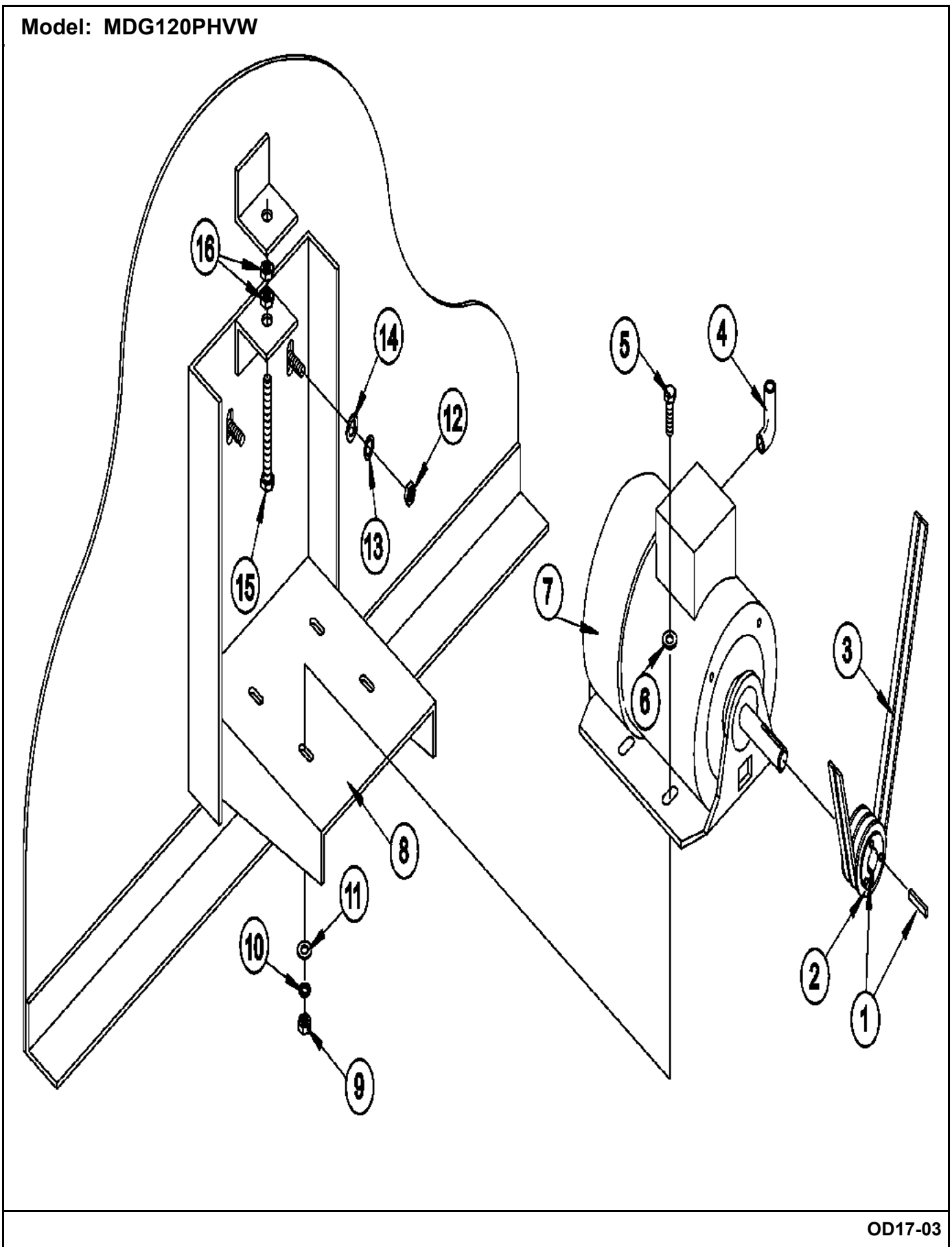
Model: MDG120PHVW



OD27-09

Section: TUMBLER DRIVE MOTOR

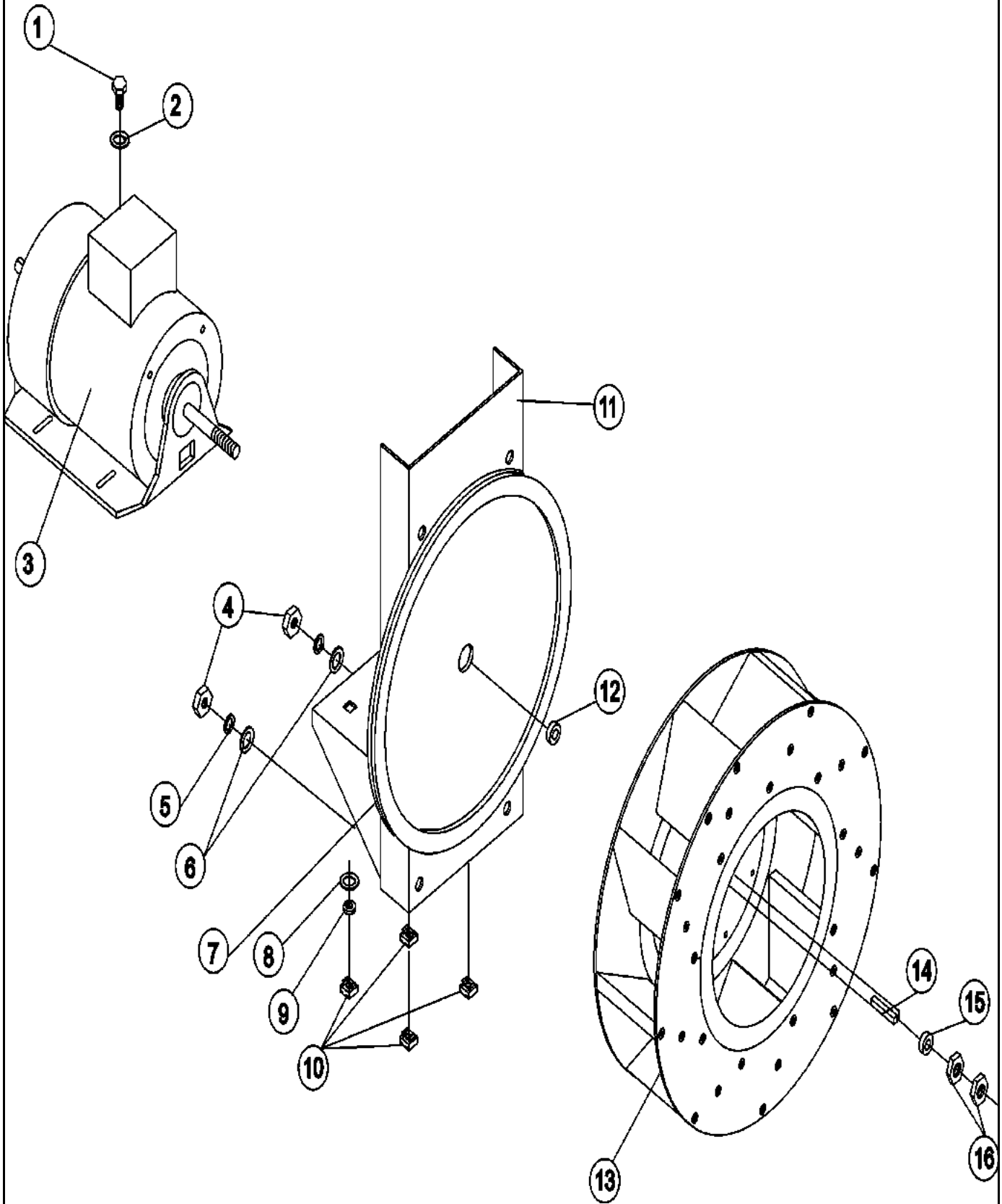
Model: MDG120PHVW



OD17-03

Section: BLOWER MOTOR MOUNT

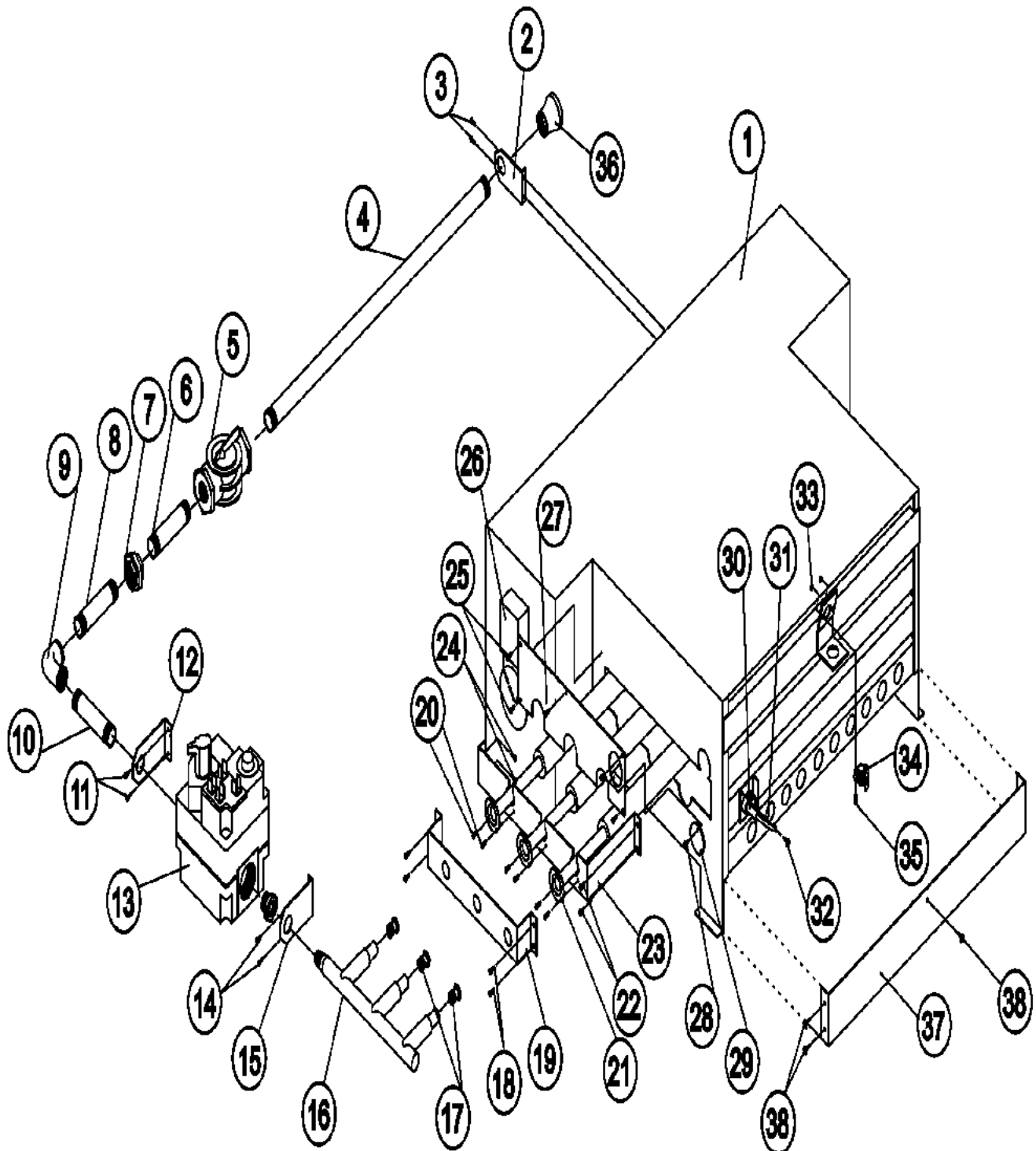
Model: MDG120PHVW



OD17-04

Section: DSI BURNER ASSEMBLY

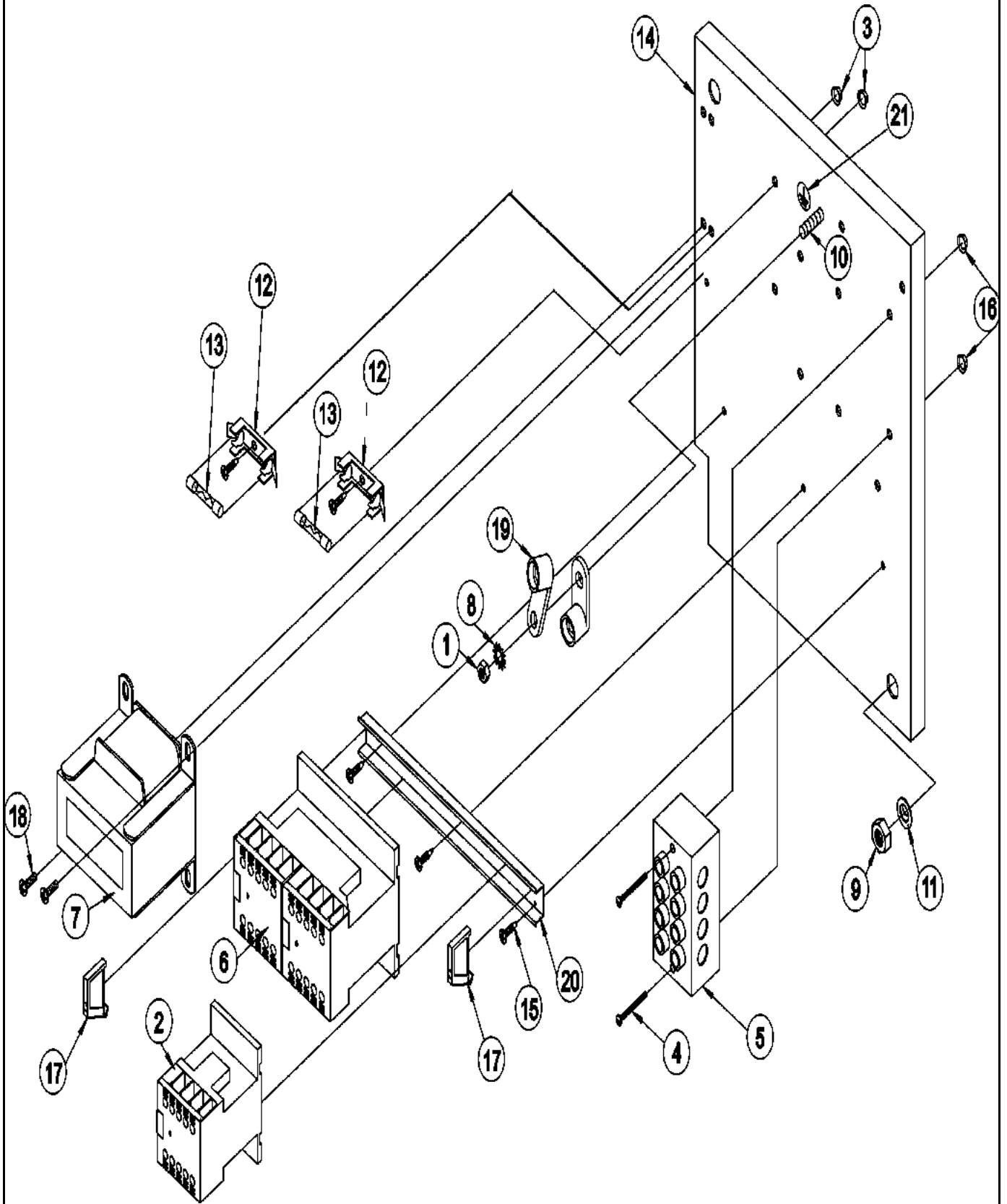
Model: MDG120PHVW



OD29-05

Section: REVERSING PANEL (208-240V)

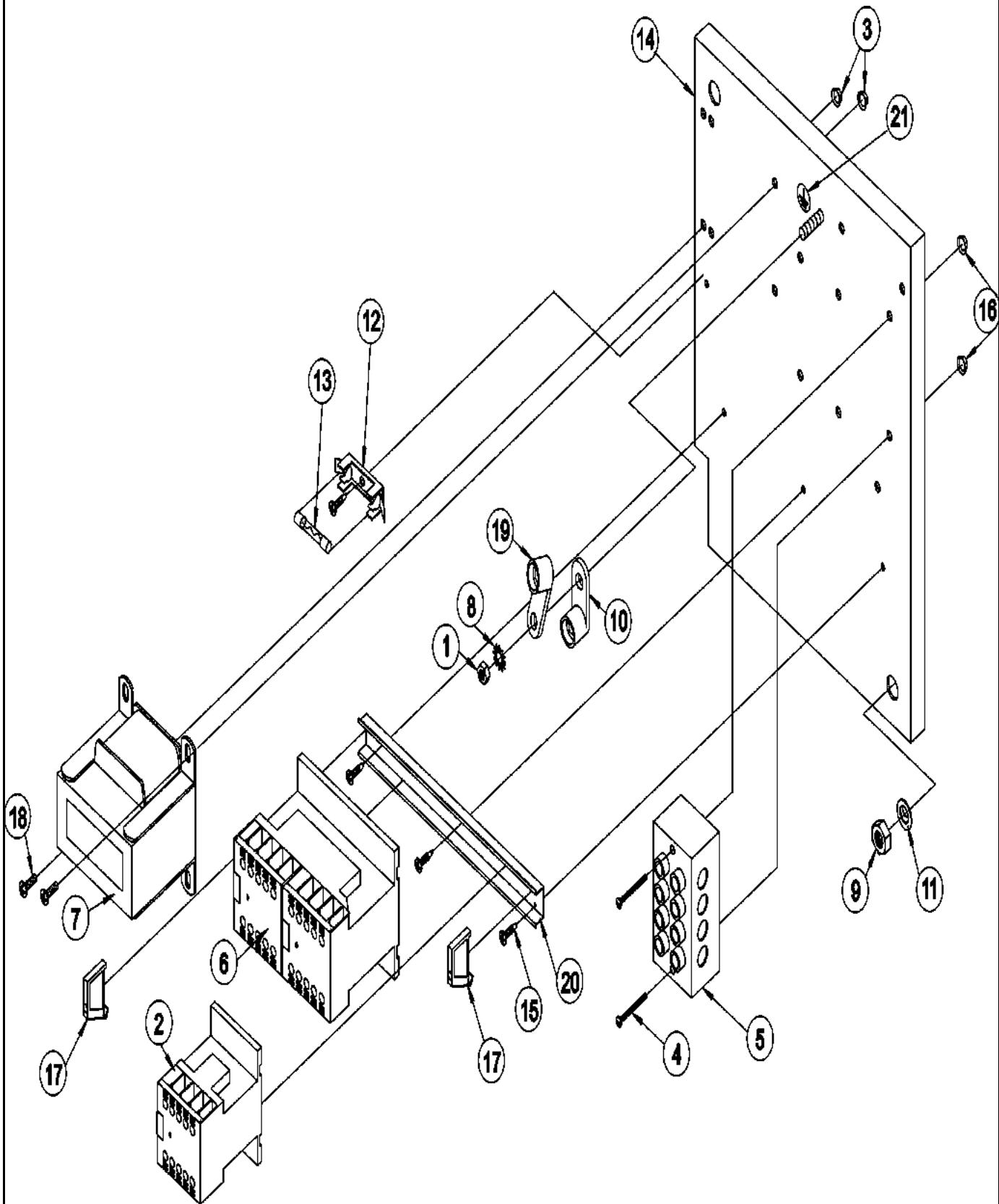
Model: MDG120PHVW



OD21-07

Section: REVERSING PANEL (380-416V)

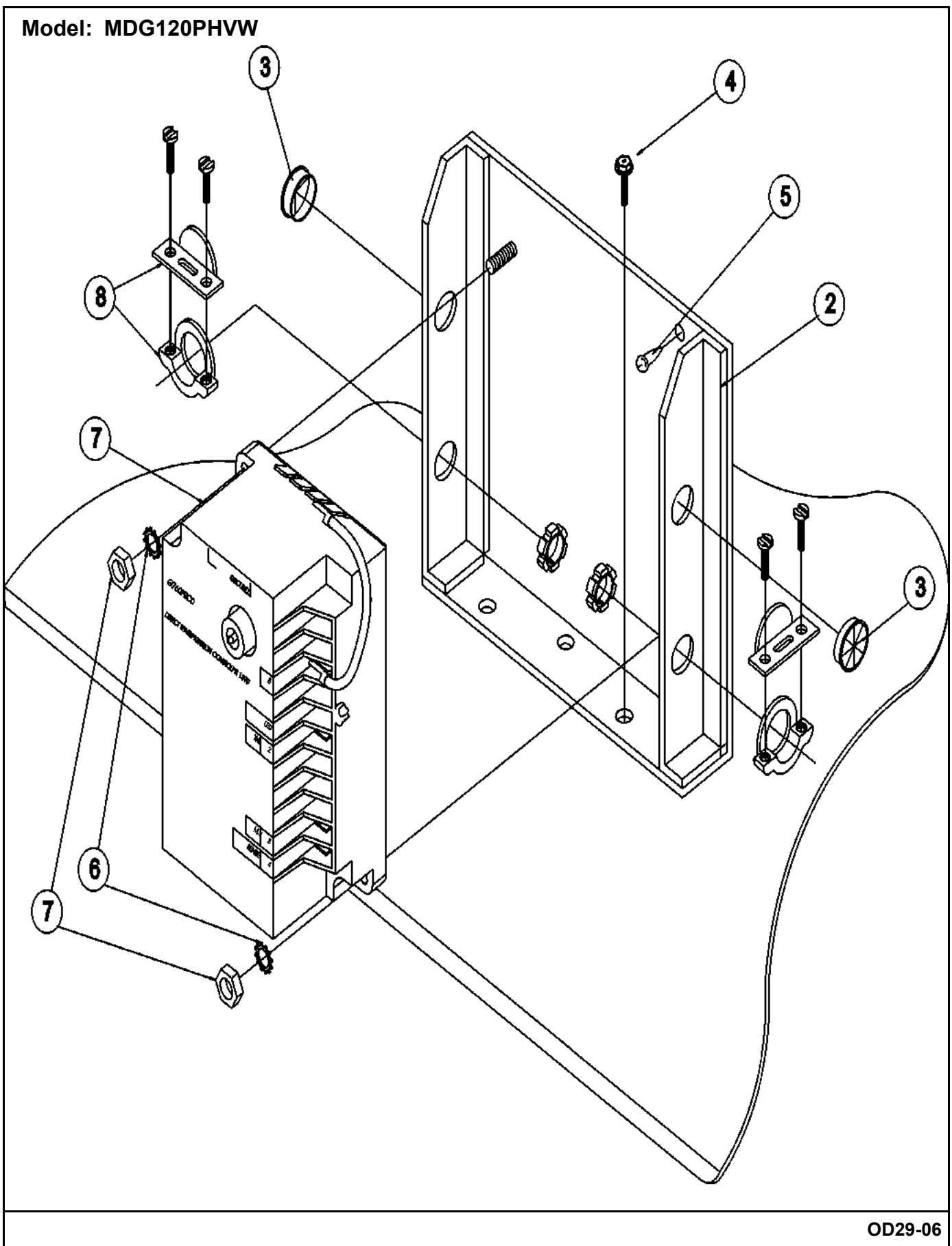
Model: MDG120PHVW



OD21-06

Section: DSI MODULE

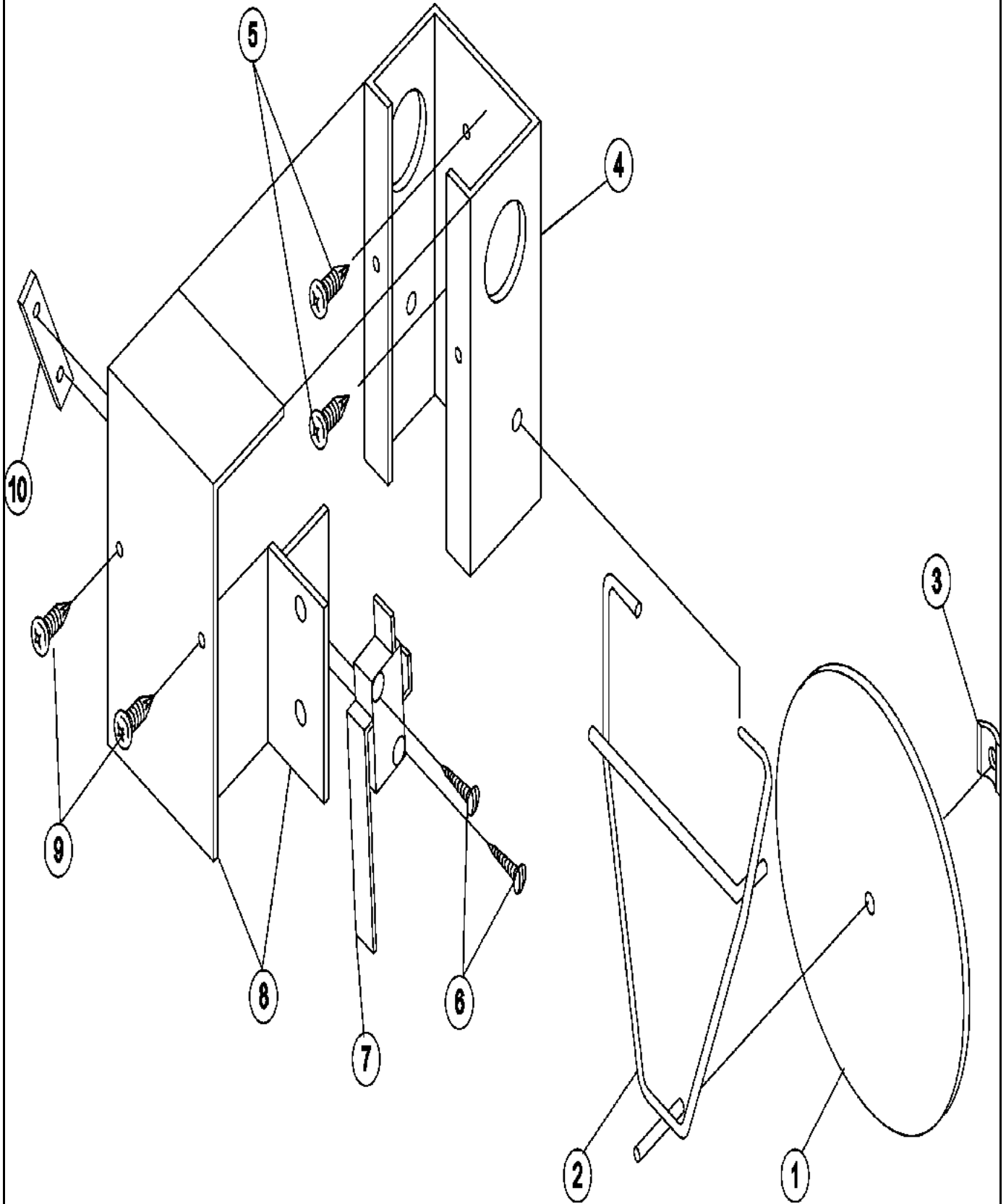
Model: MDG120PHVW



OD29-06

Section: SAIL SWITCH

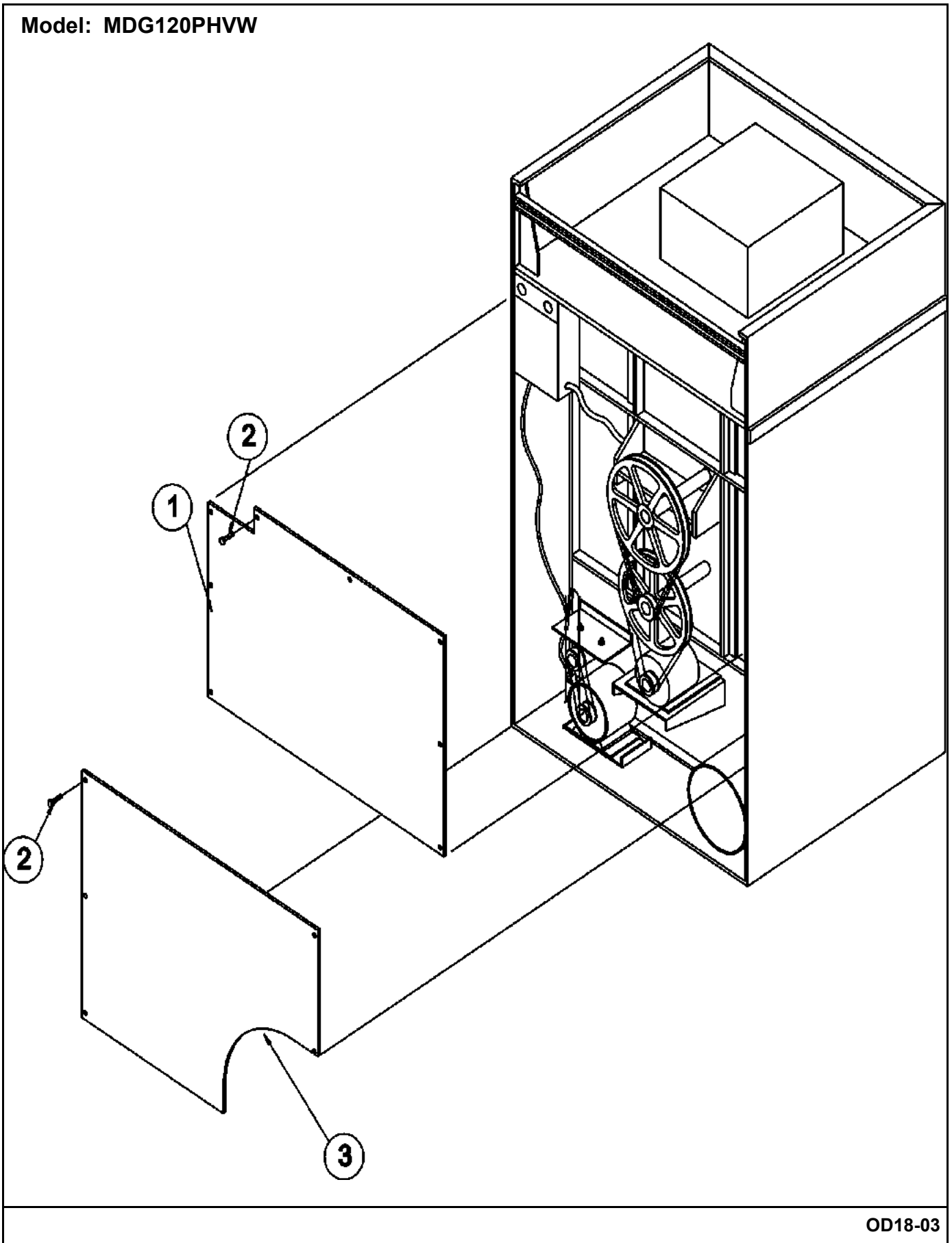
Model: MDG120PHVW



OD31-03

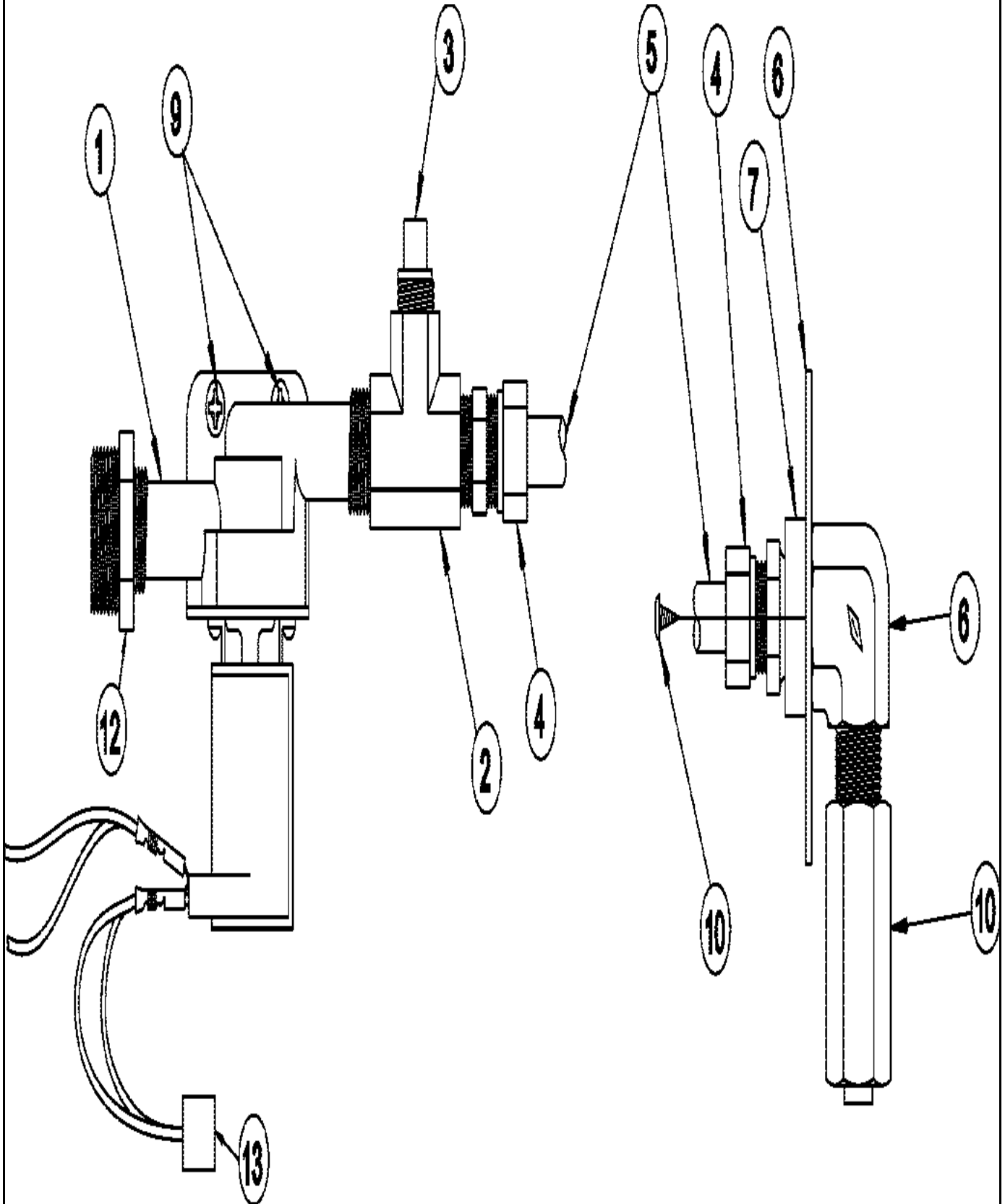
Section: BACK GUARD

Model: MDG120PHVW



Section: SOLNOID, SAFE

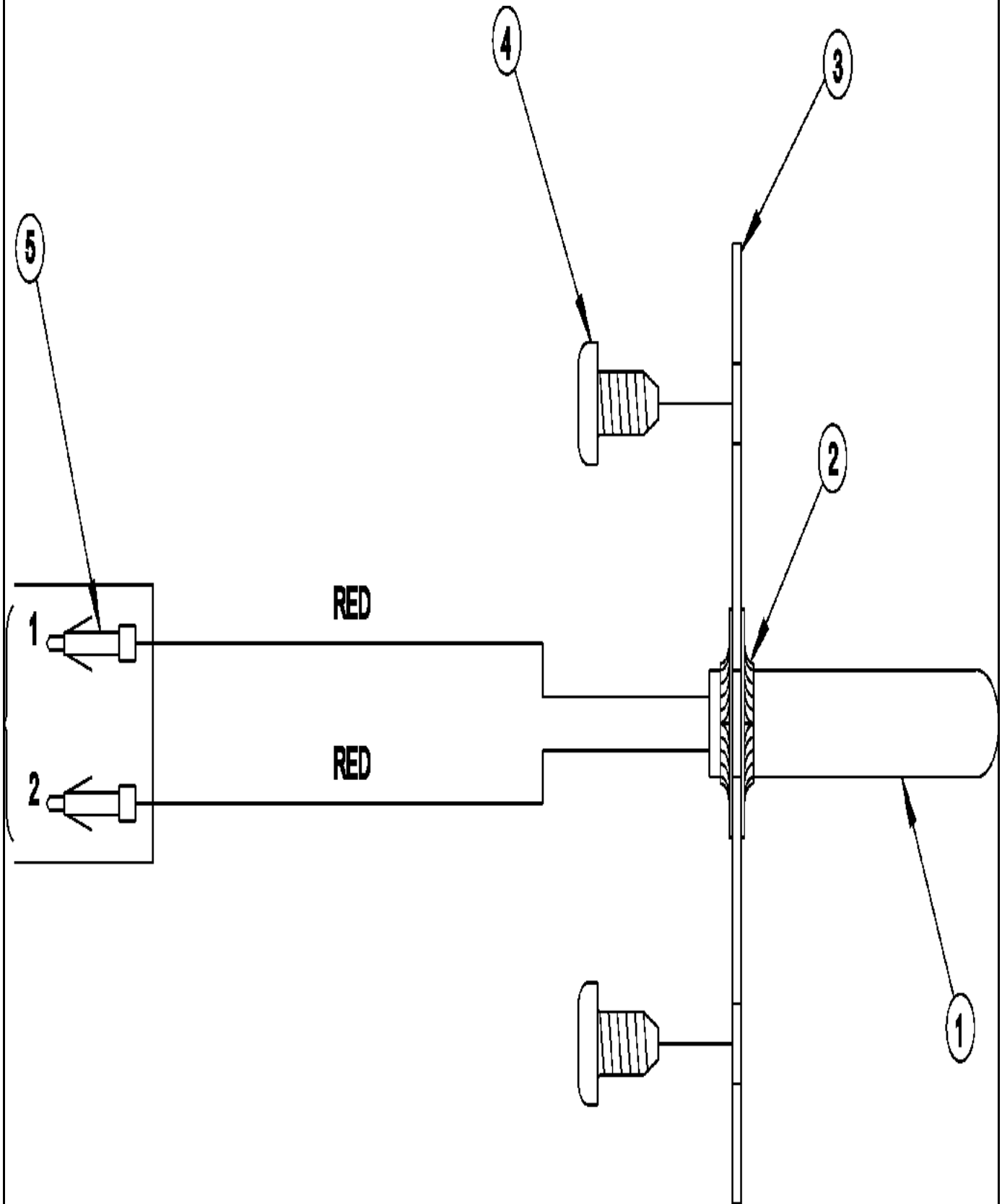
Model: MDG120PHVW



OD21-04

Section: TEMPERATURE PROBE, SAFE

Model: MDG120PHVW



OD21-03