

DRYER

Repair Parts List

MODEL NUMBER
MDG50PNVWW

When requesting service or ordering parts, always provide the following information:

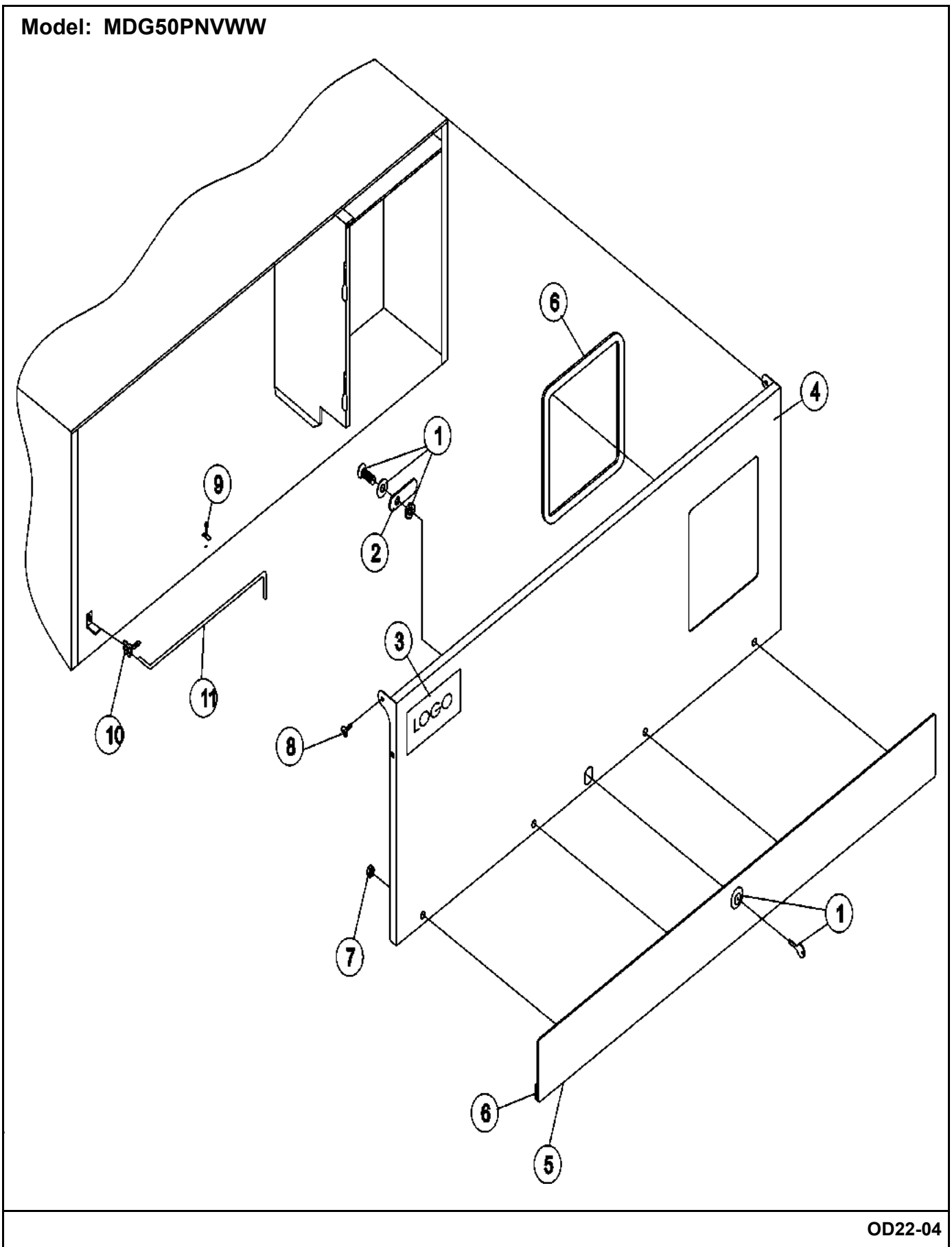
- Product Type
- Part Number
- Model Number
- Part Description

MAYTAG®

©2005 Maytag Services

Section: CONTROL DOOR

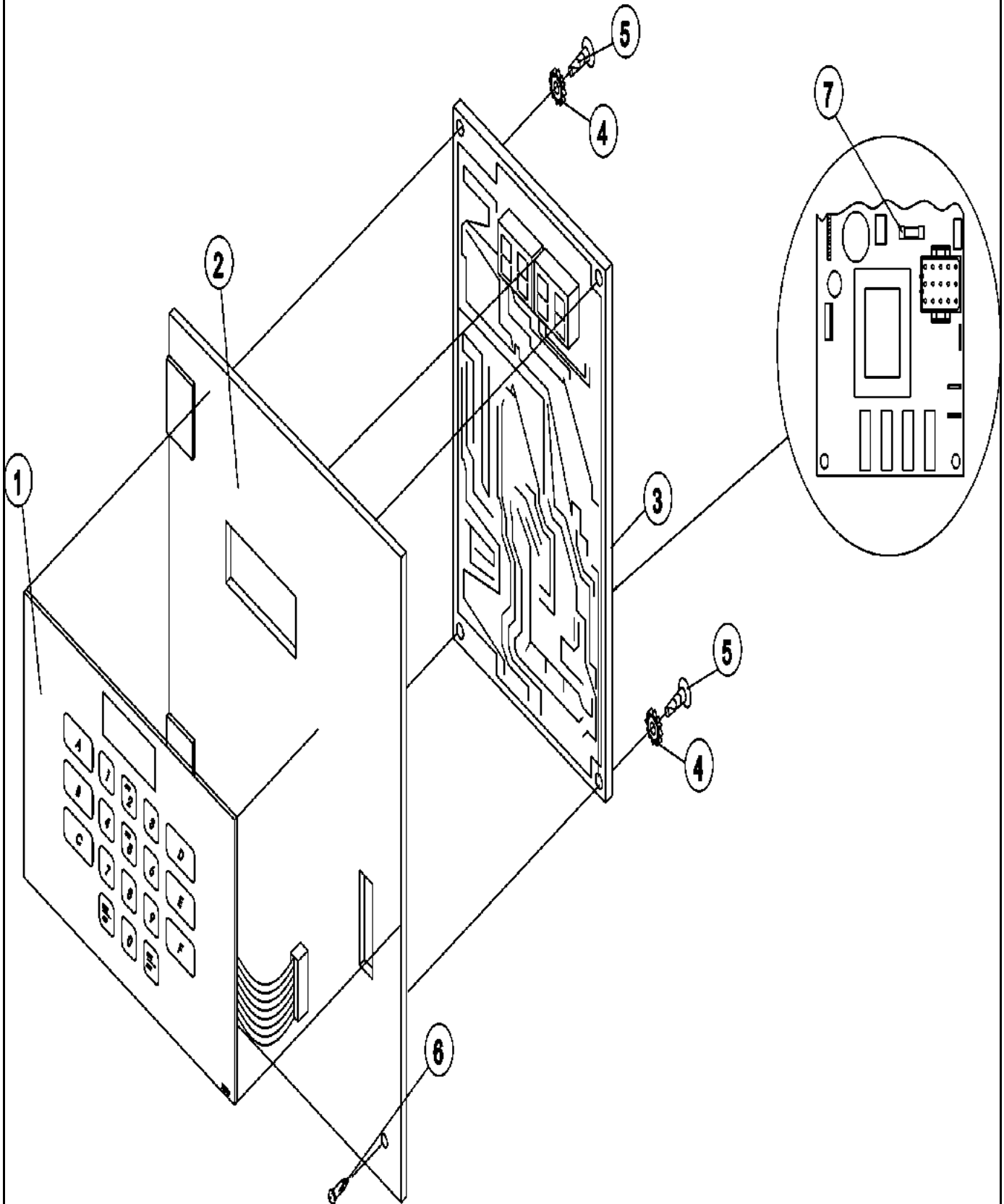
Model: MDG50PNVWW



OD22-04

Section: CONTROL PANEL (MICROPROCESSOR)

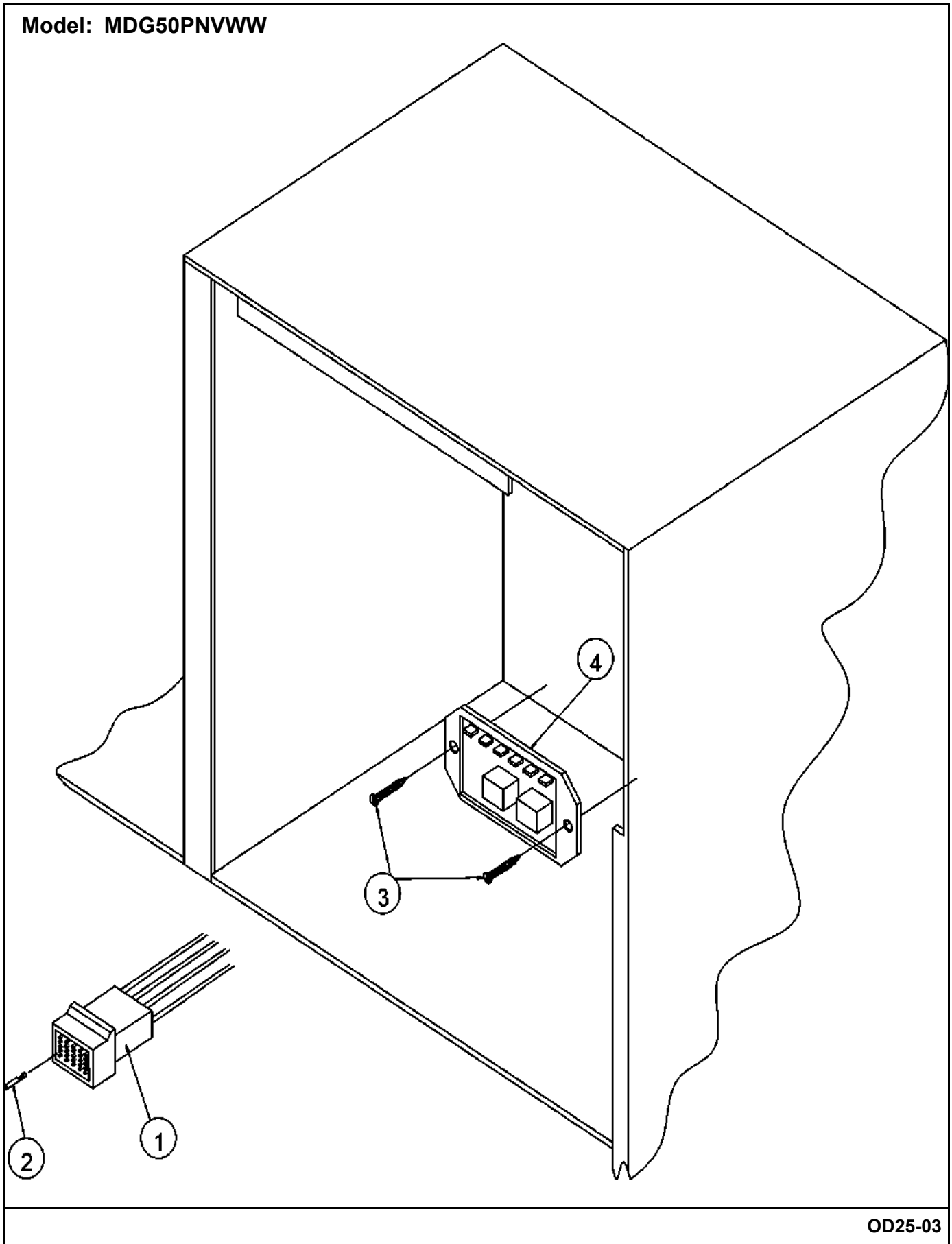
Model: MDG50PNVWW



OD11-04

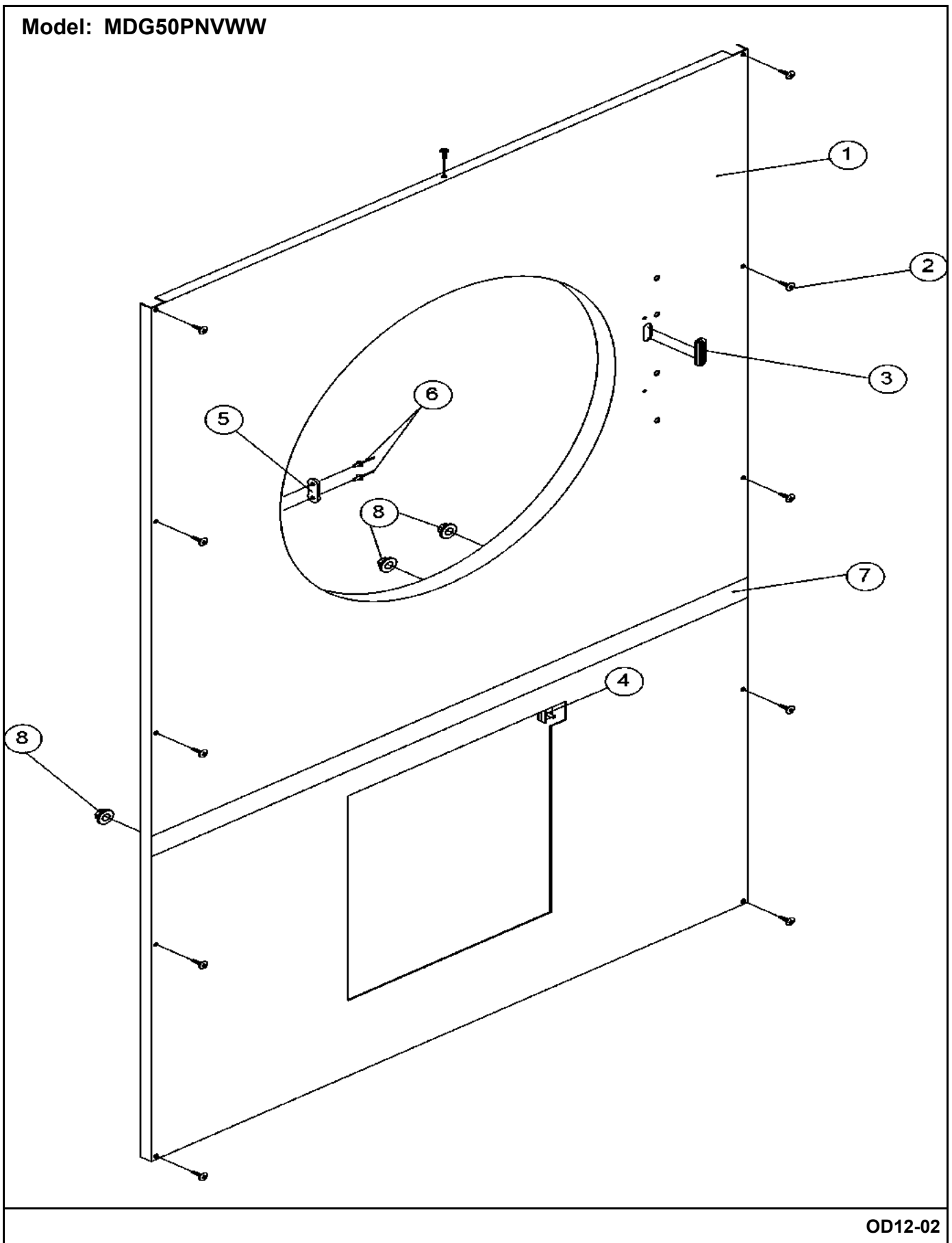
Section: CONTROL BOX (MICROPROCESSOR)

Model: MDG50PNVWW



Section: FRONT PANEL

Model: MDG50PNVWW

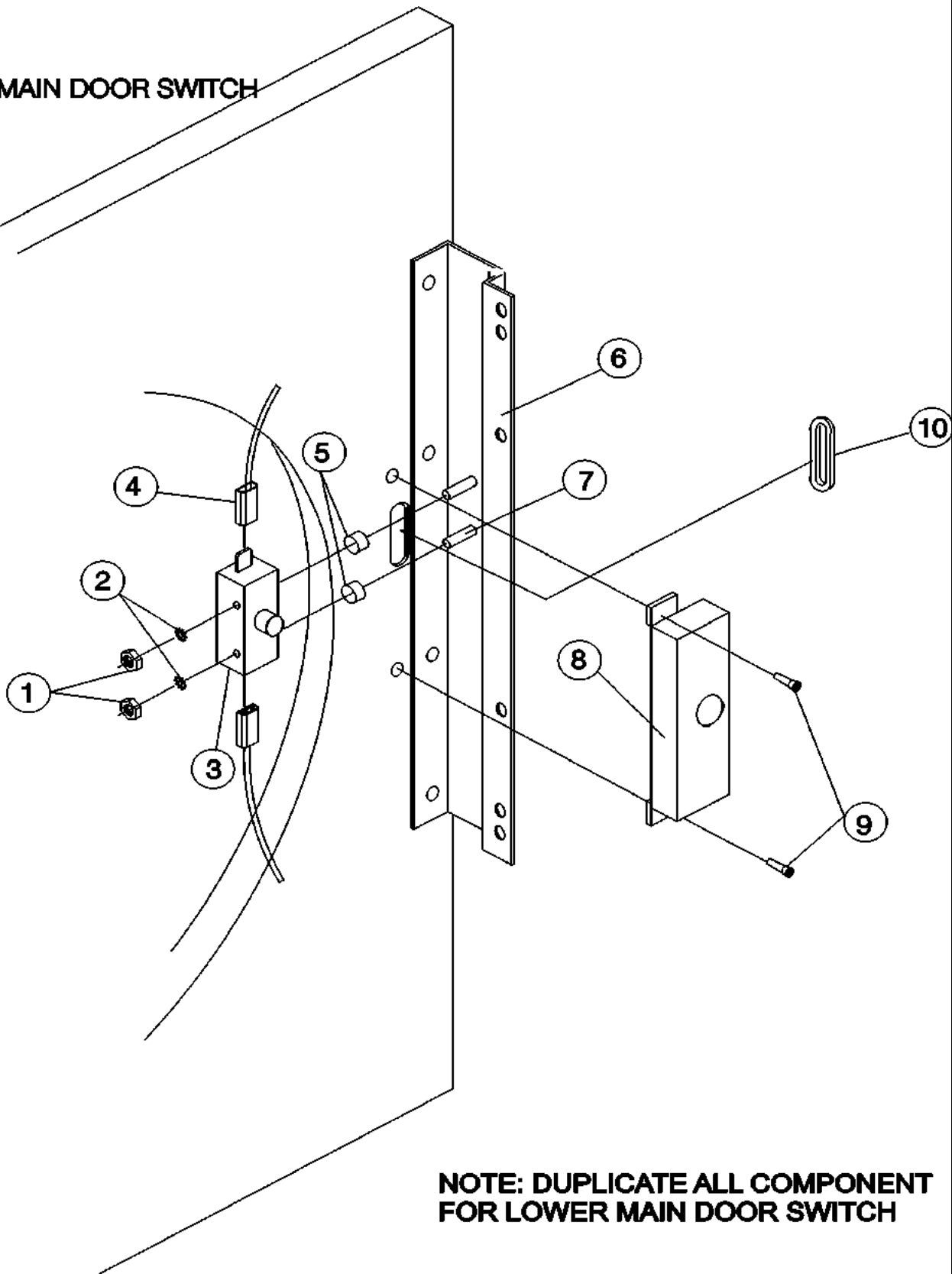


OD12-02

Section: DOOR SWITCH

Model: MDG50PNVWW

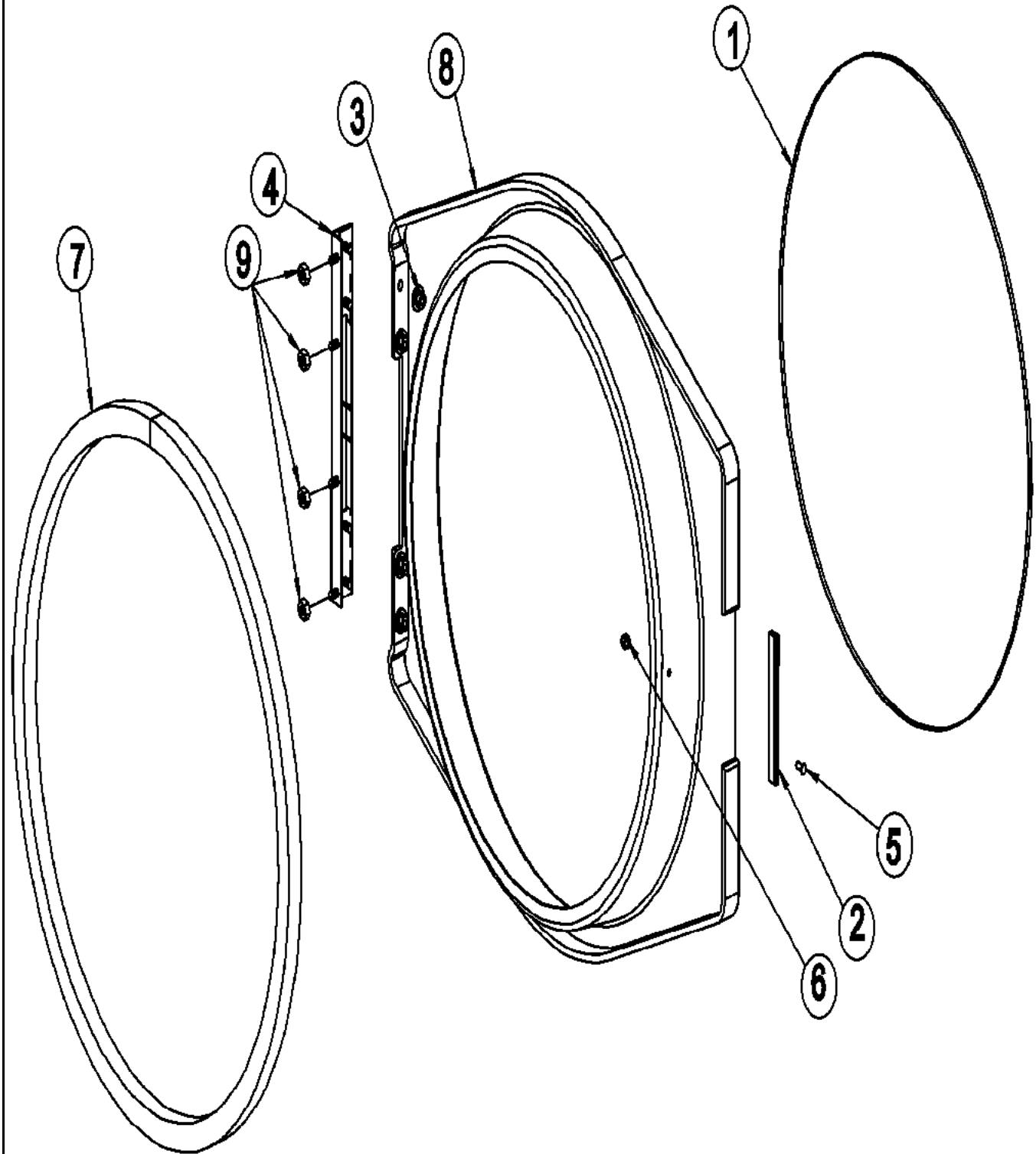
UPPER MAIN DOOR SWITCH



NOTE: DUPLICATE ALL COMPONENT FOR LOWER MAIN DOOR SWITCH

Section: MAIN DOOR

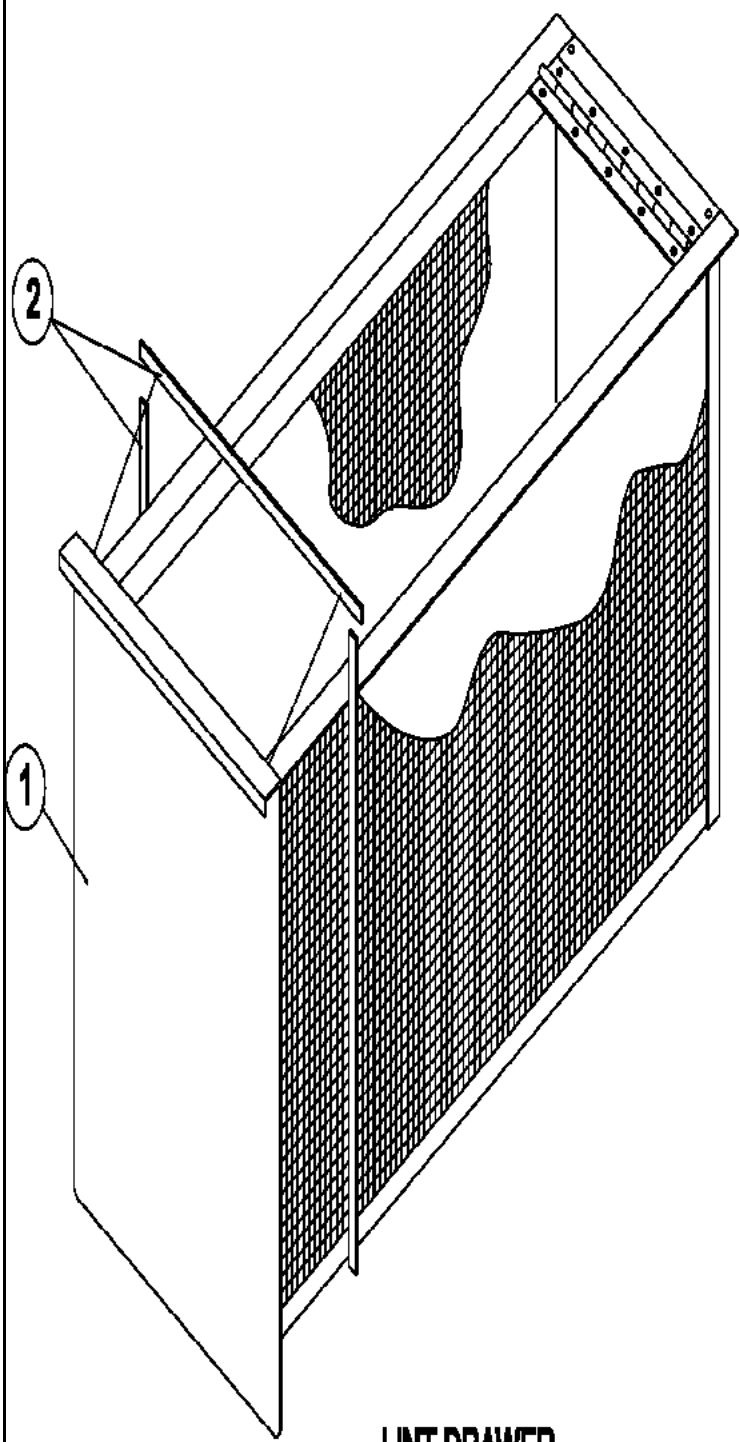
Model: MDG50PNVWW



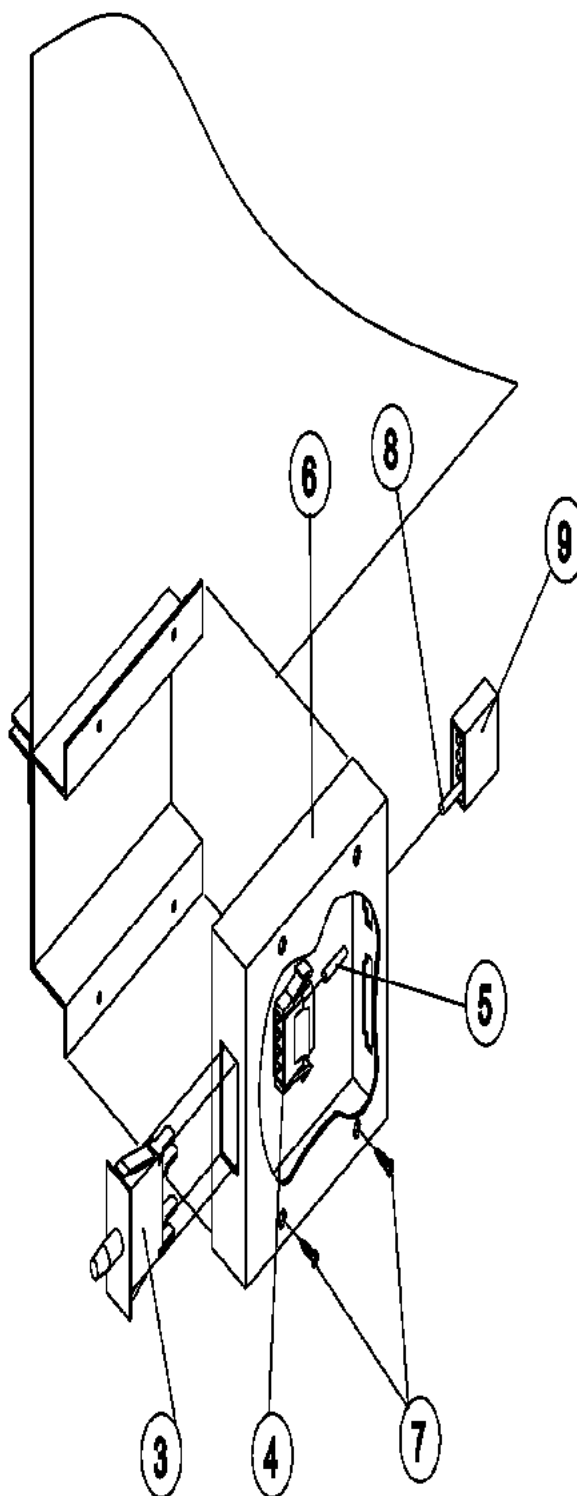
OD10-01

Section: LINT DRAWER/SWITCH

Model: MDG50PNVWW



LINT DRAWER

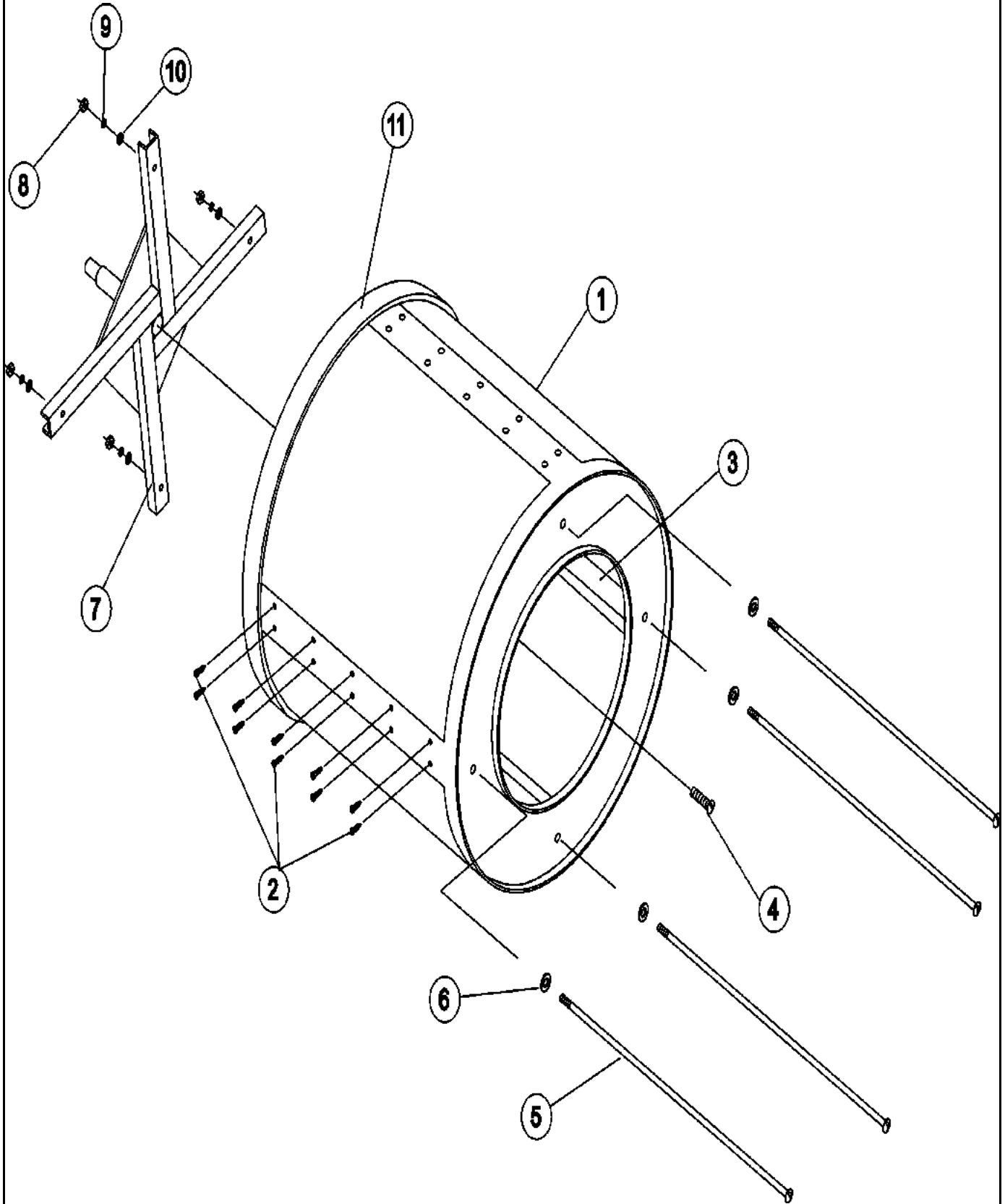


LINT DRAWER SWITCH ASSY

OD16-05

Section: TUMBLER SUPPORT

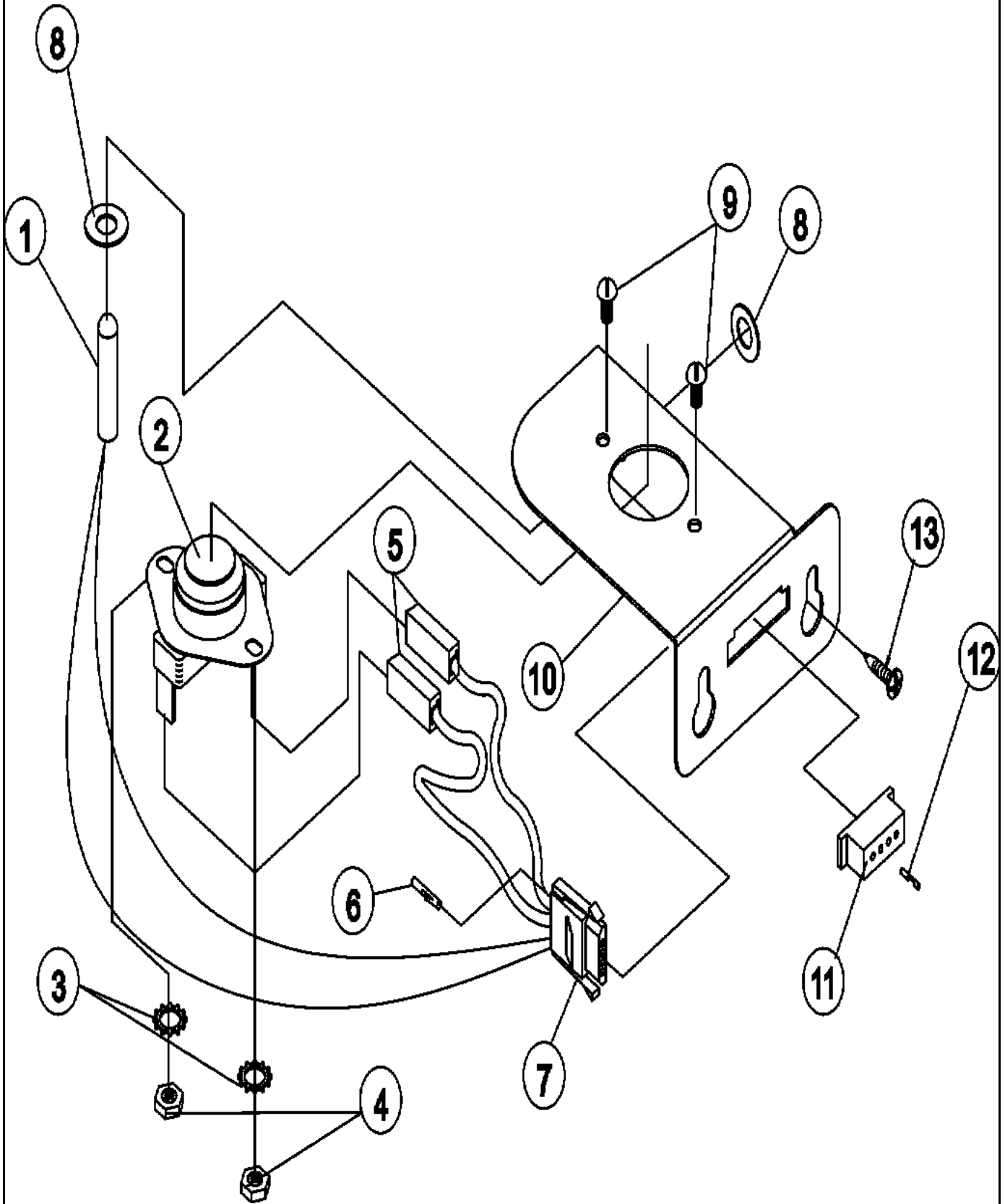
Model: MDG50PNVWW



OD27-10

Section: SENSOR BRACKET

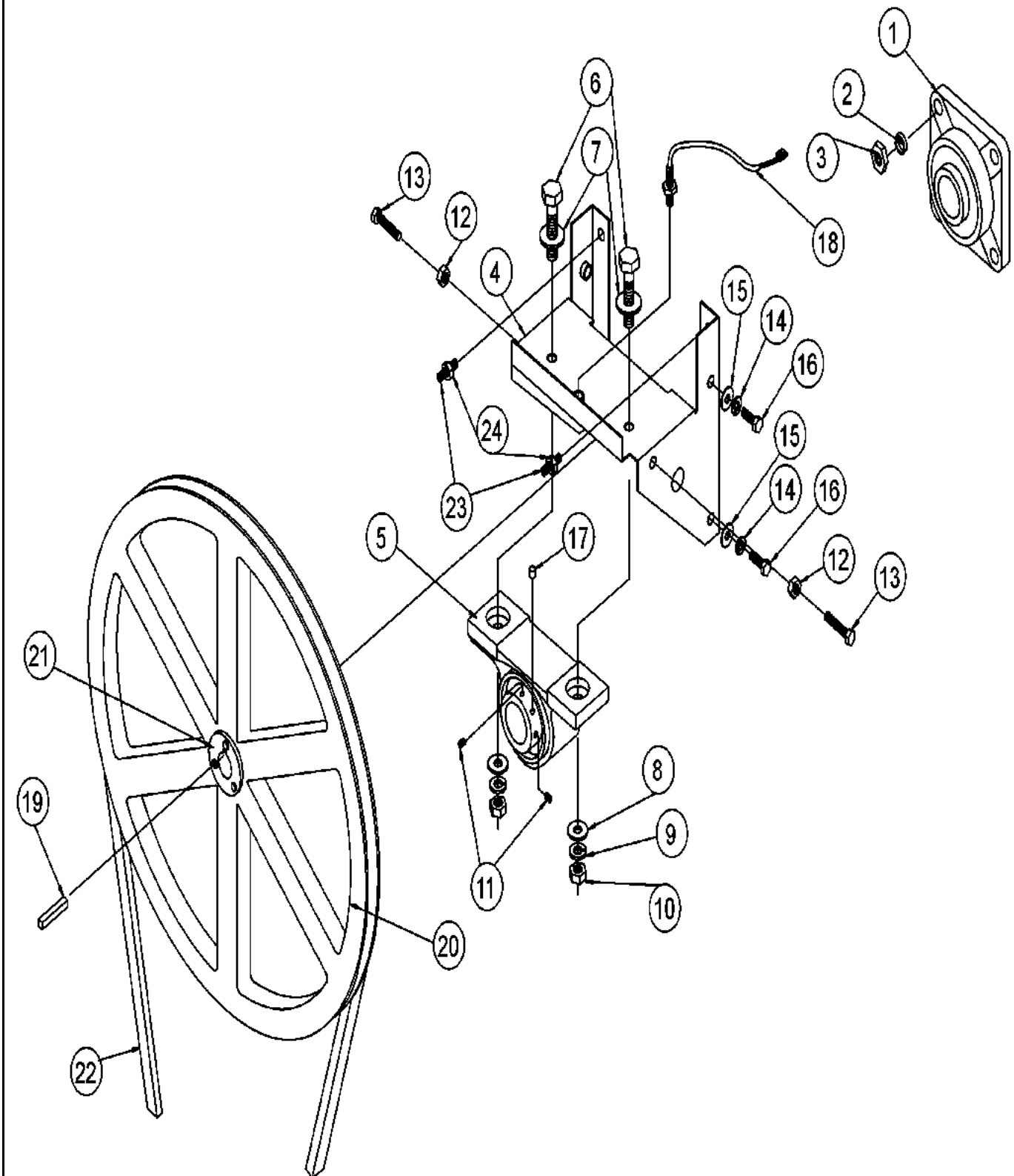
Model: MDG50PNVWW



OD28-01

Section: TUMBLER BEARING

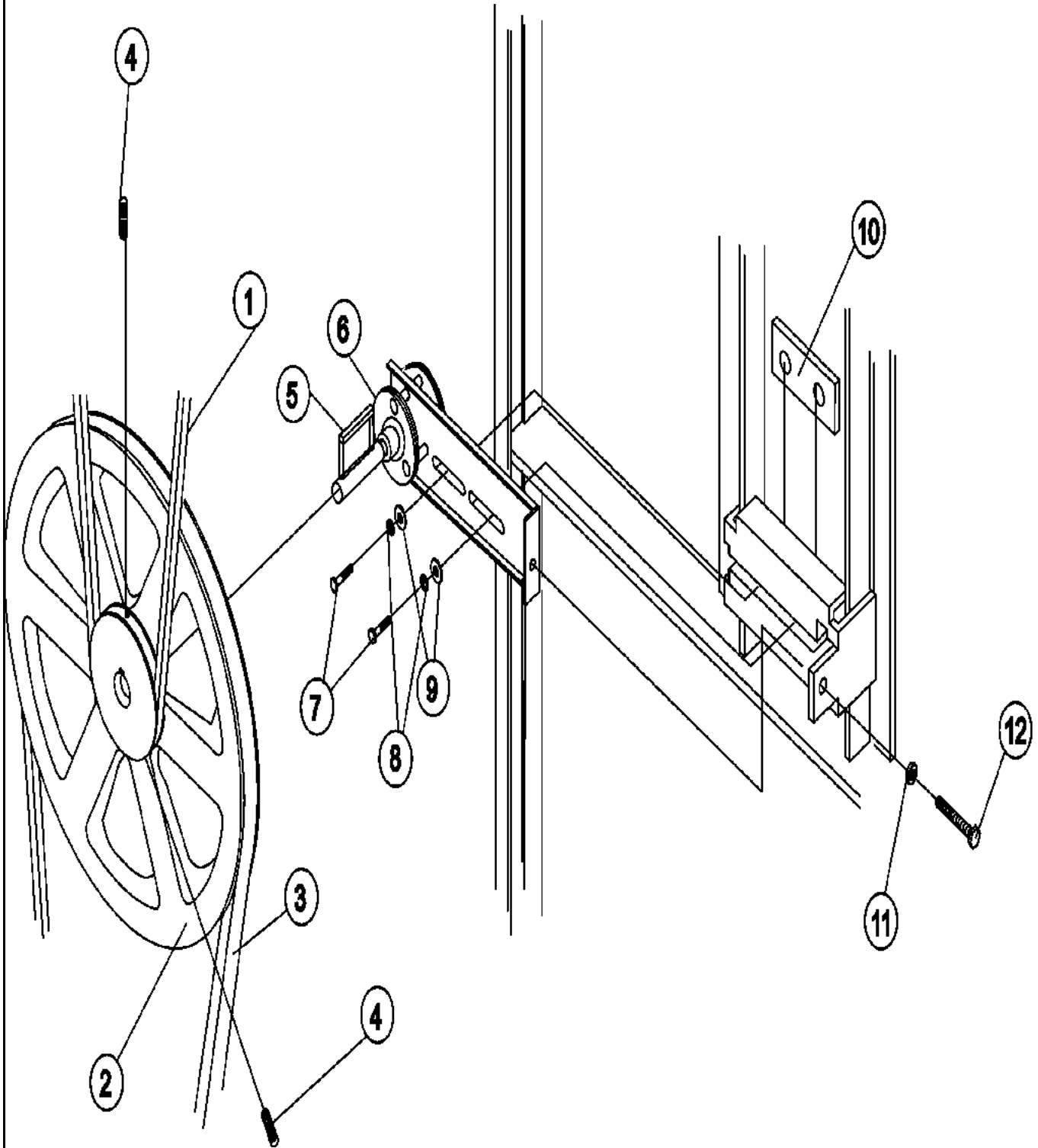
Model: MDG50PNVWW



OD27-06

Section: IDLER BEARING

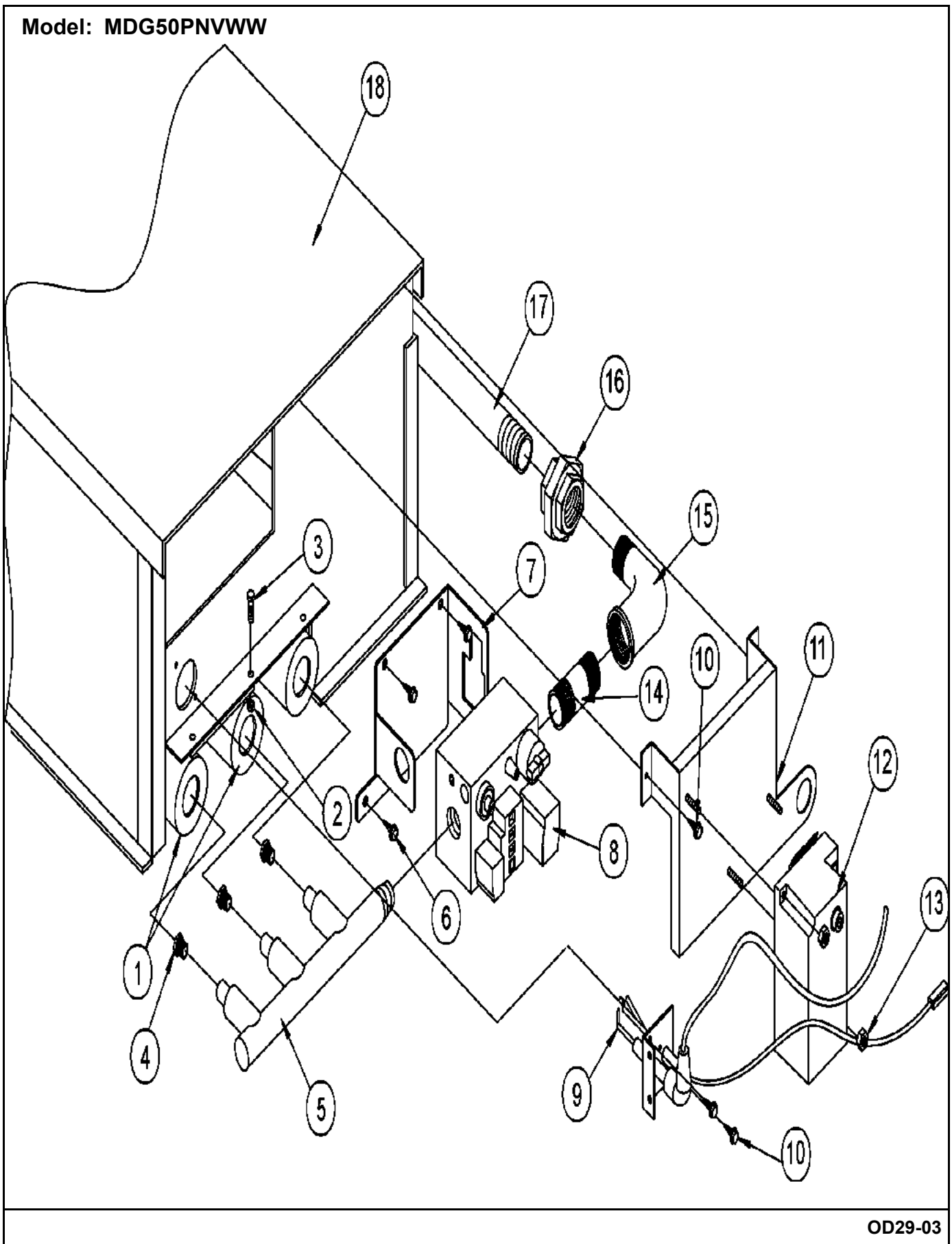
Model: MDG50PNVWW



OD27-04

Section: GAS BURNER

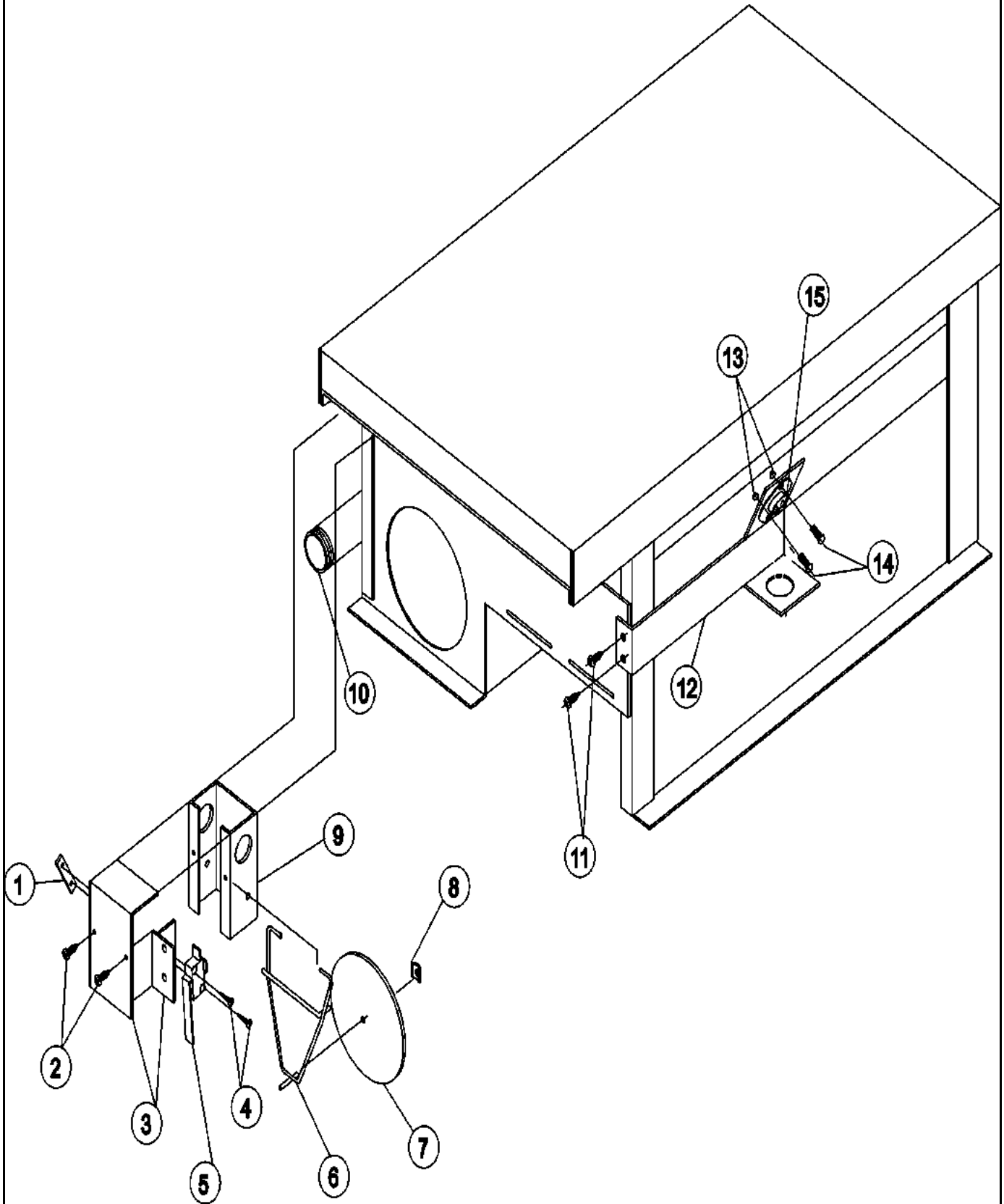
Model: MDG50PNVWW



OD29-03

Section: SAIL SWITCH/HI LIMIT

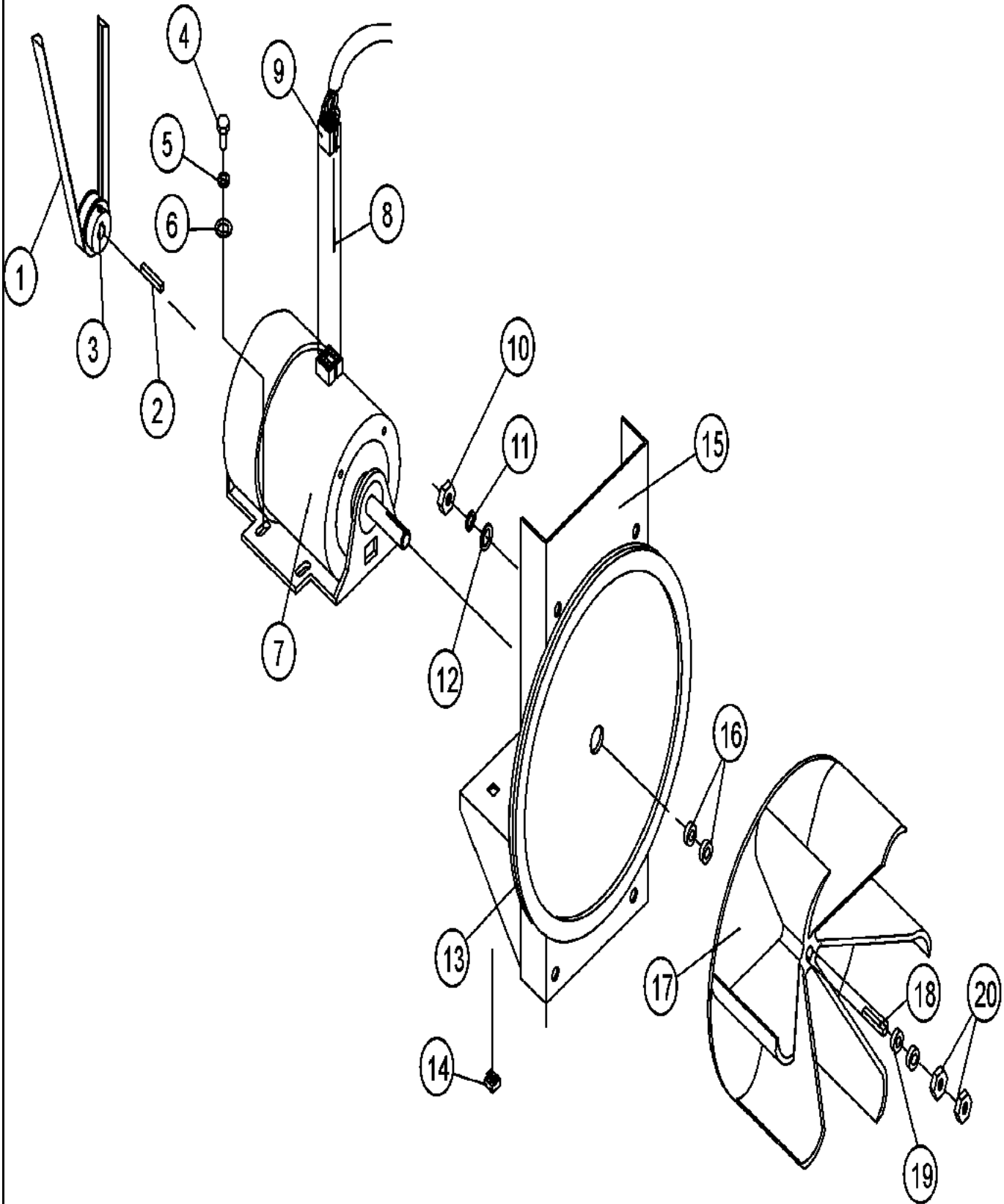
Model: MDG50PNVWW



OD31-01

Section: MOTOR MOUNT

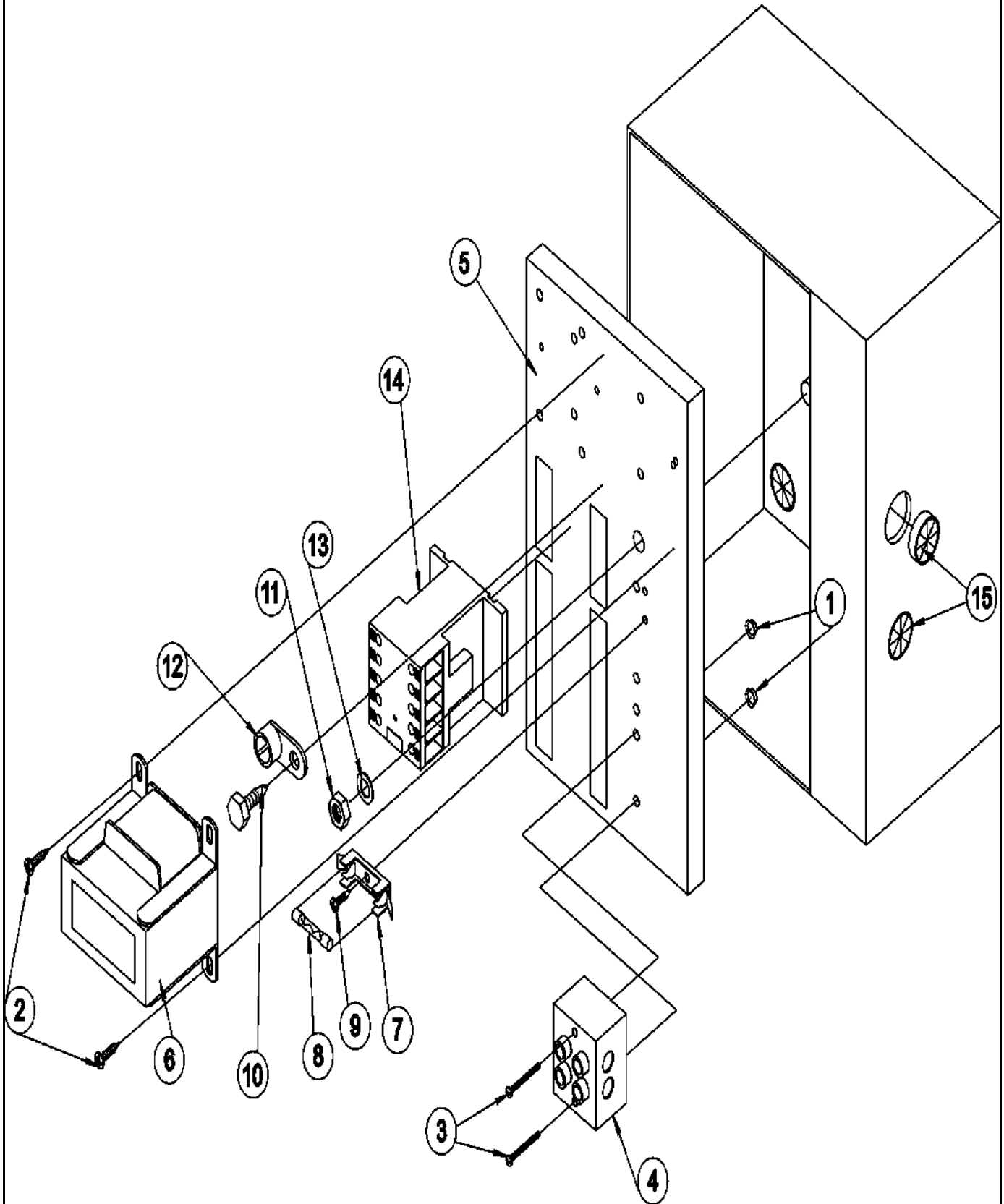
Model: MDG50PNVWW



OD17-02

Section: REAR ELECTRIC PANEL

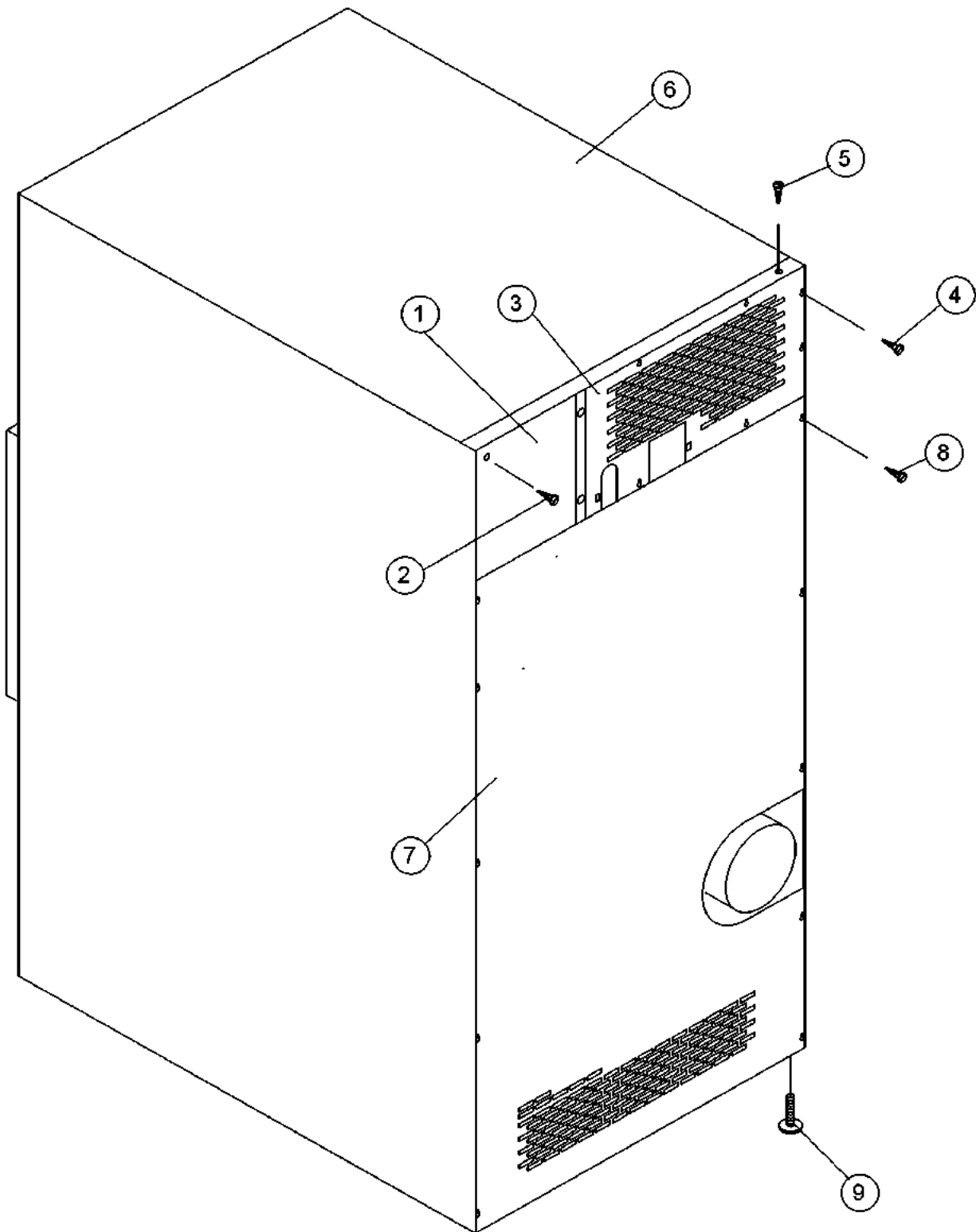
Model: MDG50PNVWW



OD21-08

Section: OUTER TOP/BACK GUARD

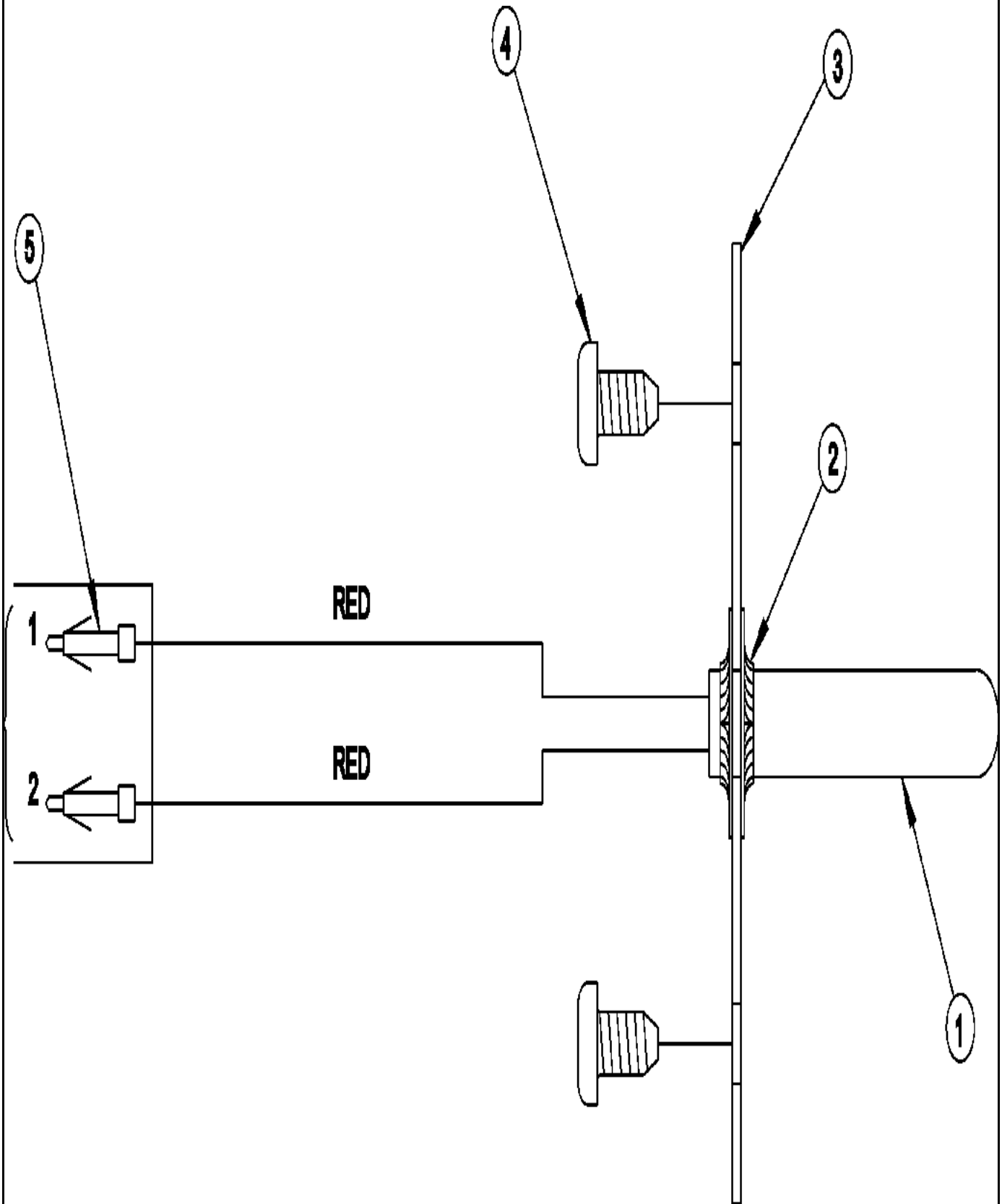
Model: MDG50PNVWW



OD18-02

Section: TEMPERATURE PROBE (SAFE)

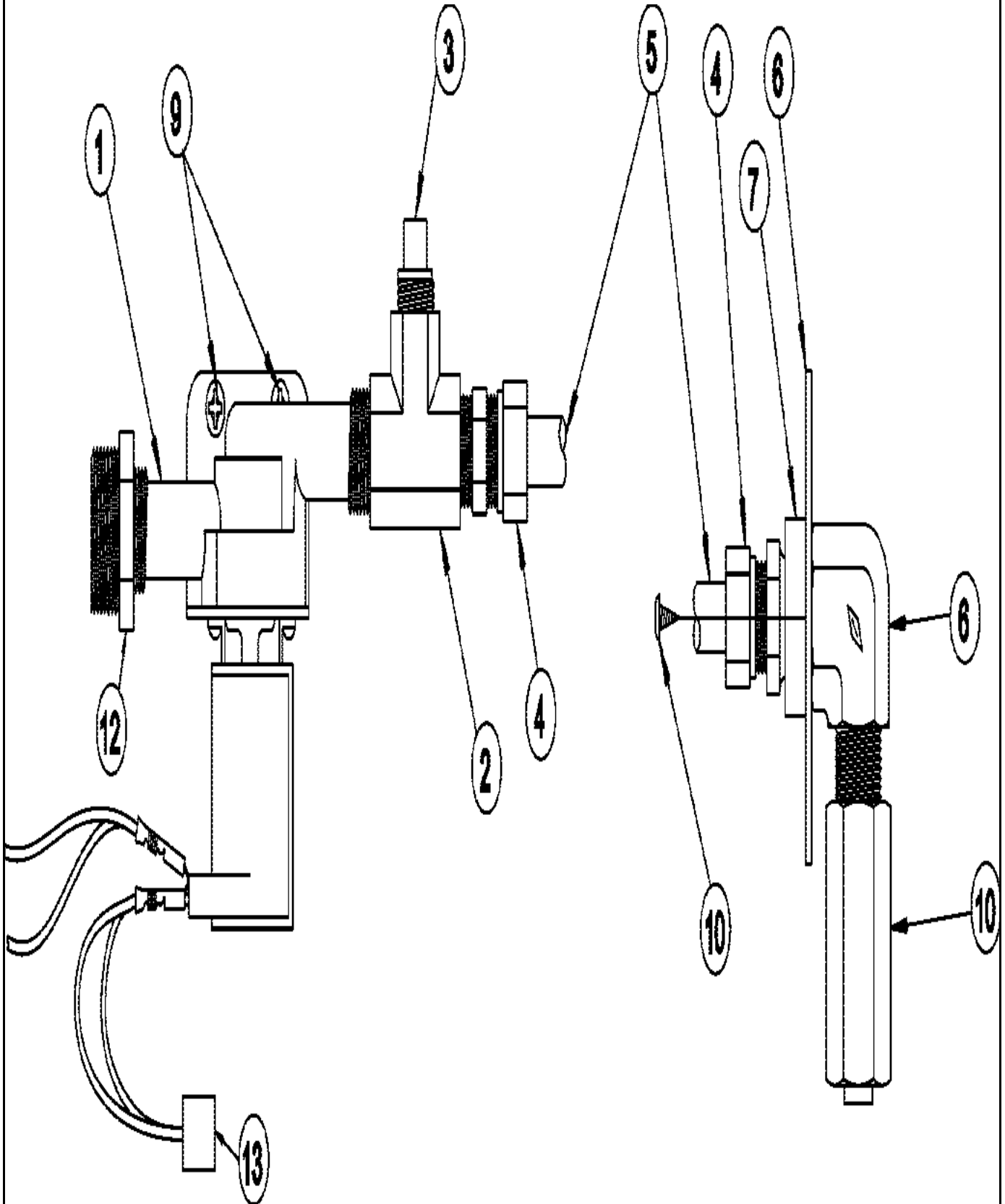
Model: MDG50PNVWW



OD21-03

Section: SOLENOID AND PIPING (SAFE)

Model: MDG50PNVWW



OD21-04