

DRYER

Repair Parts List

MODEL NUMBER
MDE16MNAGW

When requesting service or ordering parts, always provide the following information:

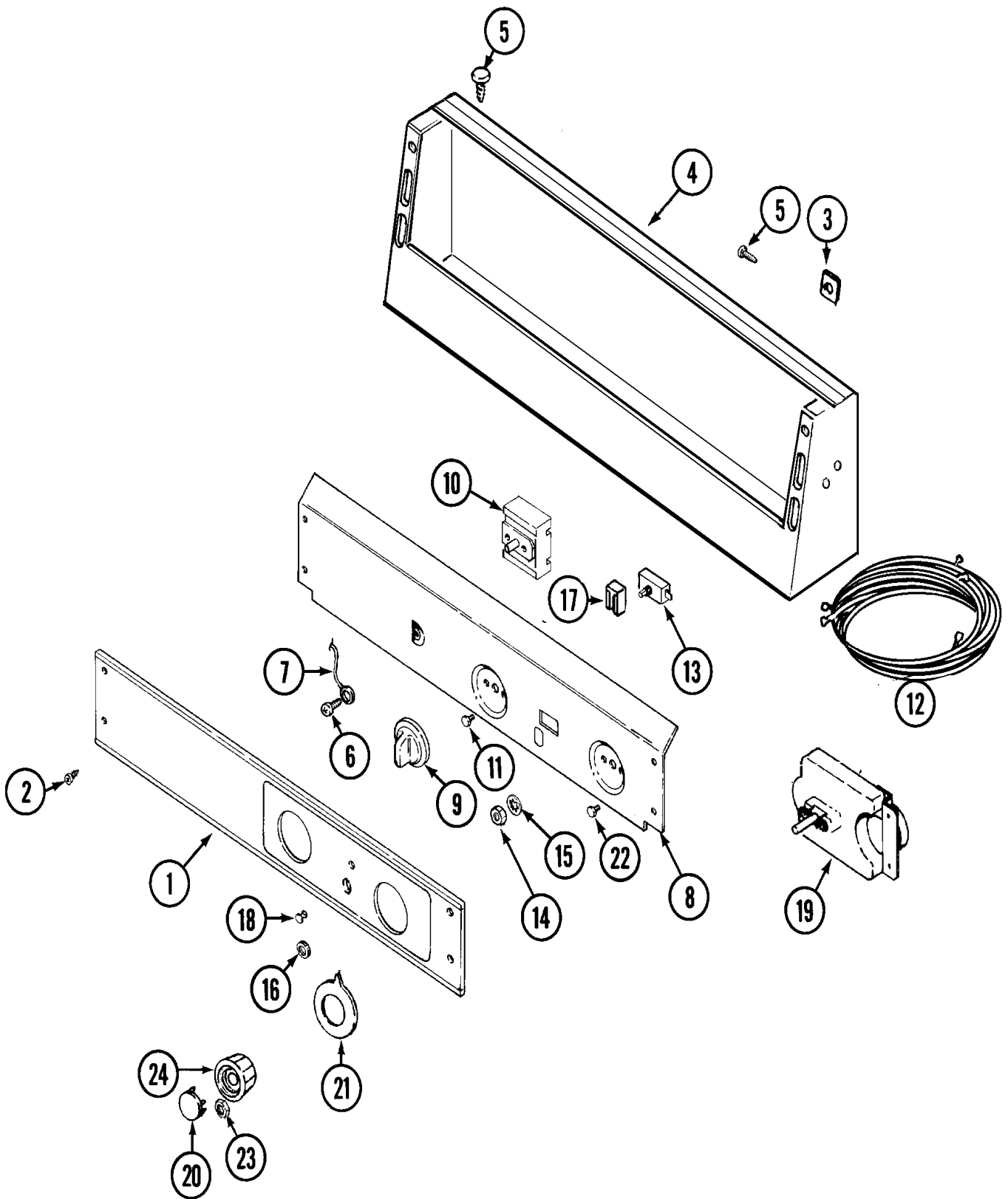
- Product Type
- Part Number
- Model Number
- Part Description

MAYTAG®

©2005 Maytag Services

Section: CONTROL PANEL

Model: MDE16MNAGW



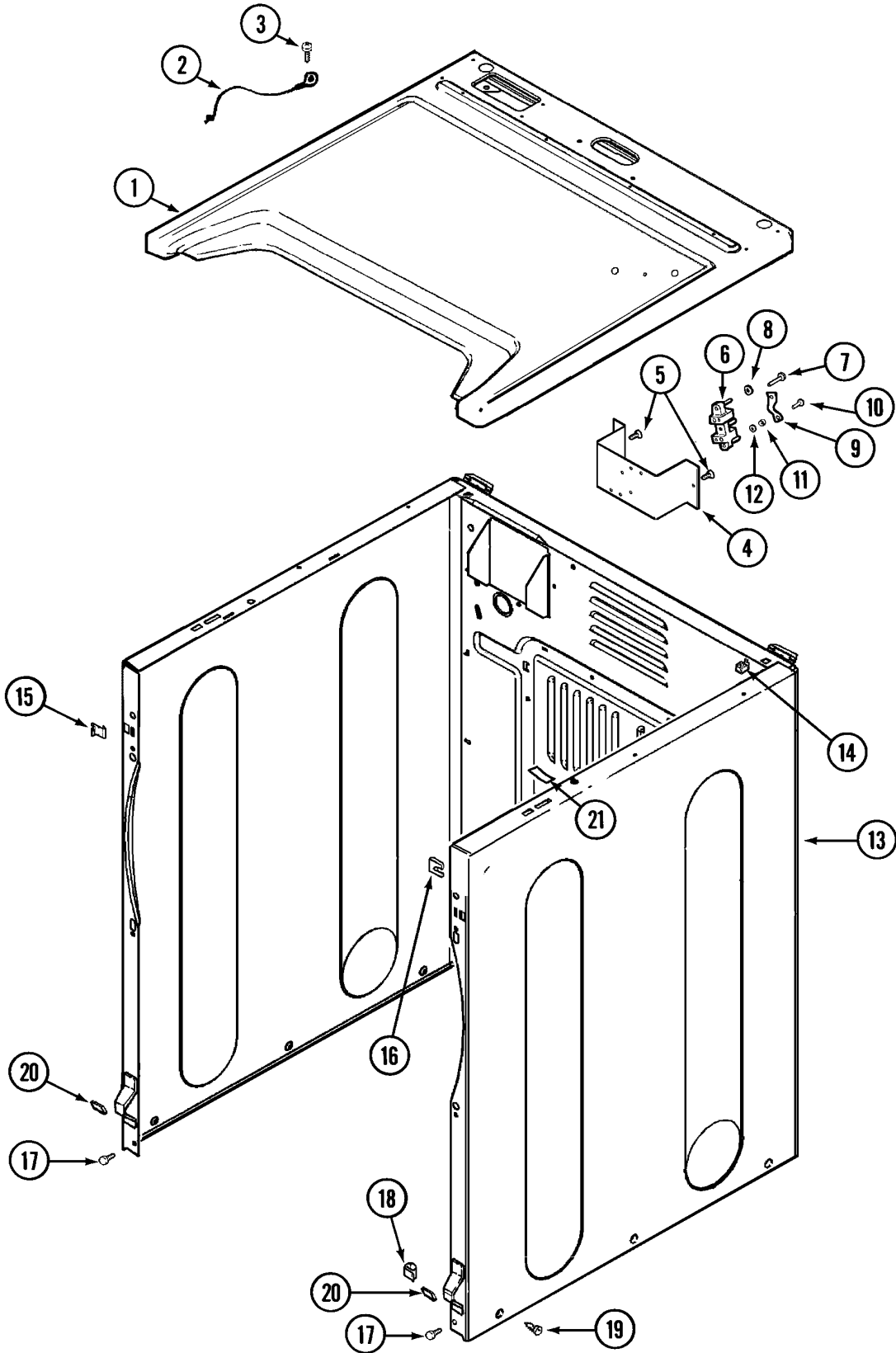
Section: CONTROL PANEL

No.	Part No.	Description	Series	Qty
1	33001967	PANEL, CONTROL	10	1
2	215506	SCREW, TORX Note: SCREW, CONTROL PANEL	10	4
3	215003	FASTENER Note: CLIP, SCREW	10	2
4	33001957	CONSOLE (WHT)	10	1
5	22001996	SCREW Note: SCREW, CONSOLE	10	7
6	211252	SCREW Note: SCREW, GROUND WIRE	10	1
7	205810	WIRE, GROUND	10	1
8	33001968	BRACKET, BACK (WHT)	10	1
9	306938	KNOB, SELECTOR SWITCH	10	1
10	33002276	SWITCH, CYCLE SELECTOR	10	1
11	313588	SCREW Note: SCREW, SELECTOR SWITCH	10	2
12 N	33001970	WIRE HARNESS, MAIN	10	1
12	33002242	WIRE HARNESS, MAIN	19	1
13	306940	SWITCH, PUSH-TO-START	10	1
14	312706	HEX NUT ON SWITCH Note: NUT, SWITCH	10	1
15	312751	LOCK WASHER Note: WASHER, SWITCH	10	1
16	312702	KNURLED NUT Note: NUT, KNURLED	10	1
17	22001365	LIGHT, INDICATOR	10	1
18	215564	LENS, INDICATOR (AMBER)	10	1
19	305758	TIMER 240-50 Note: TIMER (240-50)	10	1
20	314723	CAP FOR TIMER KNOB Note: CAP, TIMER KNOB	10	1
21	33001500	SKIRT, DIAL Note: SKIRT, TIMER DIAL	10	1
22	313588	SCREW Note: SCREW, TIMER	10	2
23	312273	NUT Note: NUT, TIMER KNOB	10	1
24	314724	KNOB FOR TIMER Note: KNOB, TIMER	10	1
-	16009021	MANUAL, SERVICE-NO REFUND	10	1

*Color Code (-)=Not Shown #=Series, Serial Prefix or Run No., N=Not Available

Section: CABINET-FRONT

Model: MDE16MNAGW



LD12-66

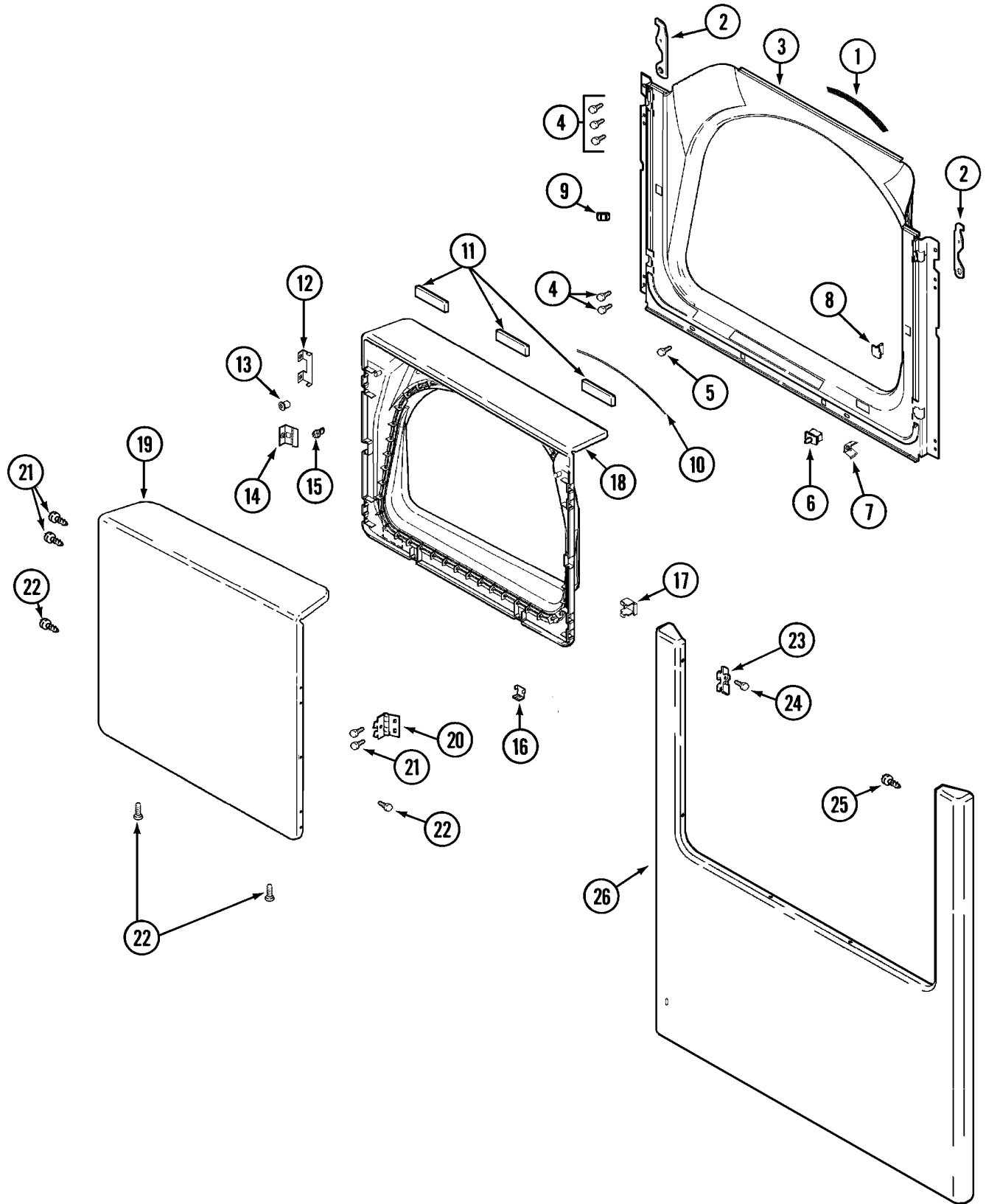
Section: CABINET-FRONT

No.	Part No.	Description	Series	Qty
1	33001896	COVER, TOP (WHT)	10	1
1	33002631	COVER, TOP (WHT-AS PK)	36	1
2	205810	WIRE, GROUND	10	1
3	211252	SCREW Note: SCREW, GROUND WIRE	10	1
4	N 33001826	BRACKET, TERMINAL BLOCK---NA	10	1
5	22001995	SCREW Note: SCREW, TERMINAL BLOCK BRACKET	10	2
6	33001244	BLOCK, TERMINAL	10	1
-	33002106	SHIELD, TERMINAL BLOCK	10	1
7	312209	SCREW, #10-24 X 3/4 INCH Note: SCREW, TERMINAL BLOCK	10	2
8	311270	WASHER, TERMINAL BLOCK	10	3
9	312184	STRAP, GROUND	10	1
10	N 33001245	SCREW----NA Note: SCREW, GROUND STRAP	10	1
11	311484	NUT, TERMINAL BLOCK	10	3
12	311093	WASHER, 7/32 INCH Note: WASHER, TERMINAL BLOCK	10	3
13	N 33001897	CABINET (WHT)	10	1
13	N 33002624	CABINET, ASSY. (WHT-AS PK)	36	1
-	N 33002642	CABINET ASSY (WHT-AS PK)	38	1
14	310933	FASTENER	10	2
15	22002049	CLIP	10	2
16	213280	FRONT PANEL BRACKET/FASTENER Note: RETAINER, SHROUD	10	2
17	22001995	SCREW Note: SCREW, CABINET	10	2
18	310376	CLIP, WIRE HARNESS	10	1
19	213007	SCREW, CABINET	10	6
19	22003409	SCREW----NA	36	6
20	22002239	CLIP, LOWER FRONT PANEL	10	2
21	33001836	STRAP, TOP COVER SUPPORT	10	1

*Color Code (-)=Not Shown #=Series, Serial Prefix or Run No., N=Not Available

Section: DOOR

Model: MDE16MNAGW



LD17-21

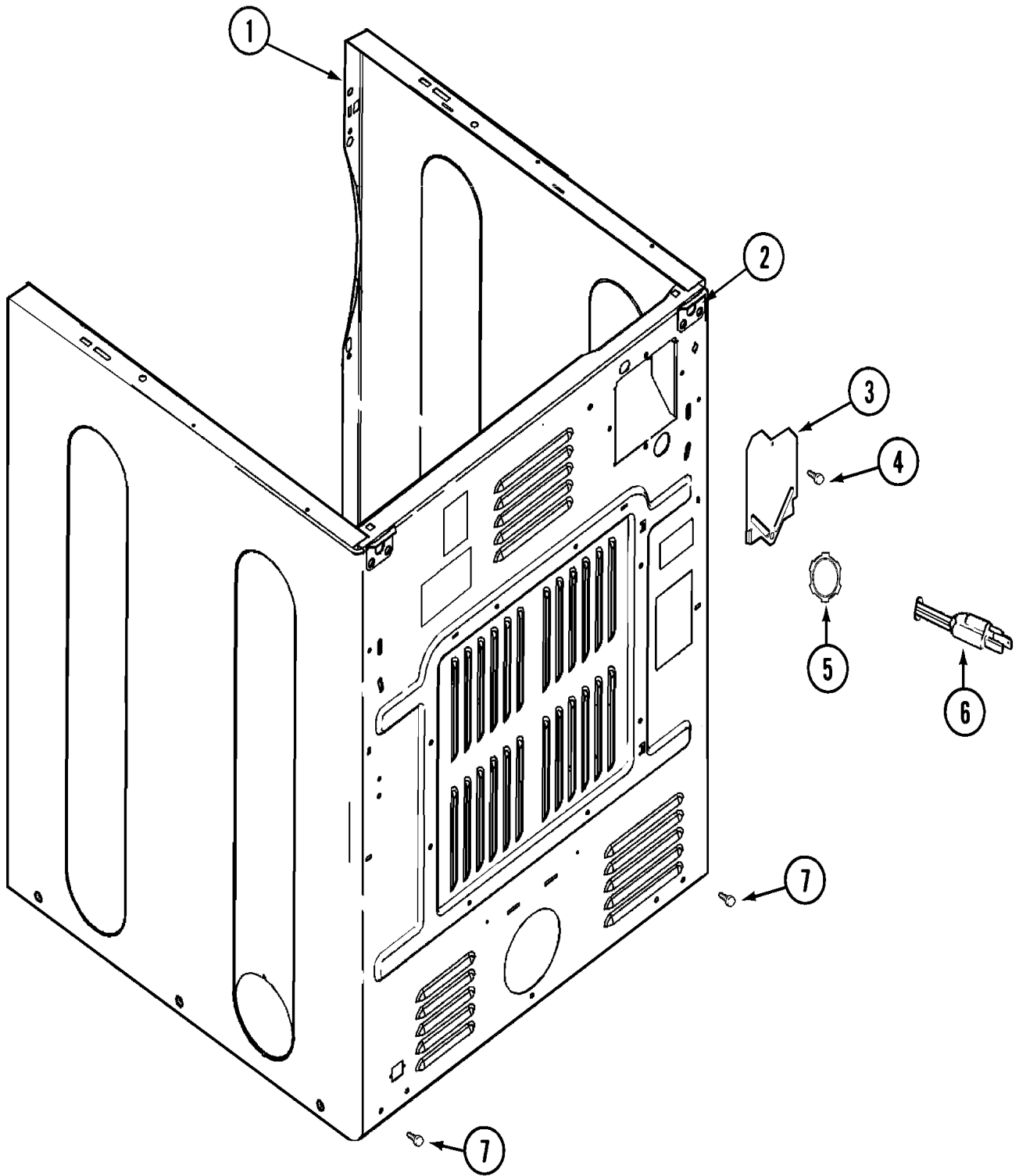
Section: DOOR

No.	Part No.	Description	Series	Qty
1	33001767	SEAL, SHROUD	10	1
2	22002247	HOOK, SECURITY	10	2
3	33001954	SHROUD (WHT) Note: (WHT)	10	1
3	33001900	SHROUD (WHT)	22	1
4	22001995	SCREW Note: SCREW, TUMBLER FRONT & SHROUD	10	10
5	33001768	SCREW, SHROUD Note: SCREW, SHROUD & OUTLET DUCT	10	2
6	33002167	SWITCH, DOOR	10	1
6	33002239	SWITCH, DOOR	22	1
7	33001760	BRACKET, HINGE	10	4
8	N 33001174	PLUG, DOOR CATCH	10	1
9	304578	CATCH, DOOR (FEMALE)	10	1
10	33002094	SEAL, DOOR	10	1
11	33001268	PAD, DOOR	10	1
12	22002038	CLIP, DOOR (DOUBLE)	10	4
13	33001771	BUSHING, INNER DOOR	10	2
14	33001793	BRACKET, STRIKE	10	1
15	33001761	STRIKE, DOOR (MALE)	10	1
16	22002039	CLIP, DOOR (SINGLE)	10	2
17	33001763	PLUG, INNER DOOR	10	1
18	33001899	DOOR, INNER (WHT)	10	1
-	22002063	SCREW #8-18AB WAFER HD	10	2
-	22002039	CLIP, DOOR (SINGLE)	10	2
19	33001904	DOOR, OUTER (WHT) Note: DOOR, OUTER (WHT)	10	1
20	33001759	HINGE, DOOR	10	2
21	22002062	SCREW Note: SCREW, HINGE	10	4
22	22002063	SCREW #8-18AB WAFER HD	10	8
23	33001764	COVER, HINGE HOLE (WHT)	10	2
24	33001846	SCREW Note: SCREW, HINGE HOLE COVER	10	2
-	22002244	CLIP, GROUNDING	10	1
25	22002243	SCREW Note: SCREW, HINGE BRACKET	10	2
26	33001901	PANEL, FRONT (WHT)	10	1
-	213280	FRONT PANEL BRACKET/FASTENER Note: FASTENER, FRONT PANEL	10	2
-	22002239	CLIP, LOWER FRONT PANEL	10	2

*Color Code (-)=Not Shown #=Series, Serial Prefix or Run No., N=Not Available

Section: CABINET-REAR

Model: MDE16MNAGW



LD12-60

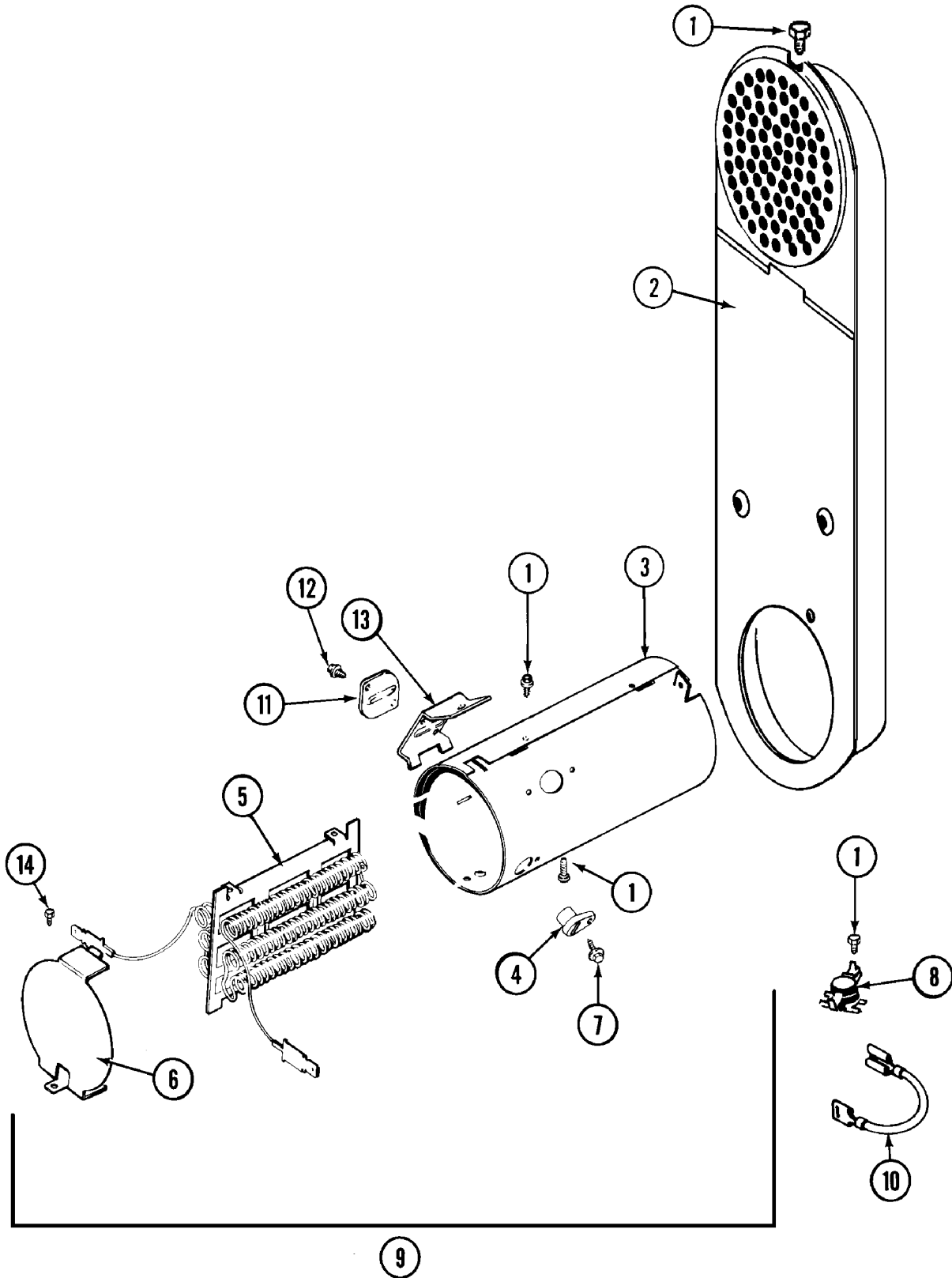
Section: CABINET-REAR

No.	Part No.	Description	Series	Qty
1	N 33002624	CABINET, ASSY. (WHT-AS PK)	36	1
1	N 33001897	CABINET (WHT)	10	1
2	N 33001827	BRACKET, CABINET HINGE	10	2
-	22003367	HINGE, PLASTIC	36	2
-	22001995	SCREW	36	2
3	33001795	COVER, TERMINAL BLOCK	10	1
-	912873	SCREW, LATCH	10	1
4	22001995	SCREW Note: SCREW, TERMINAL BLOCK COVER	10	1
7	22001995	SCREW Note: SCREW, CABINET	10	2

*Color Code (-)=Not Shown #=Series, Serial Prefix or Run No., N=Not Available

Section: HEATER

Model: MDE16MNAGW



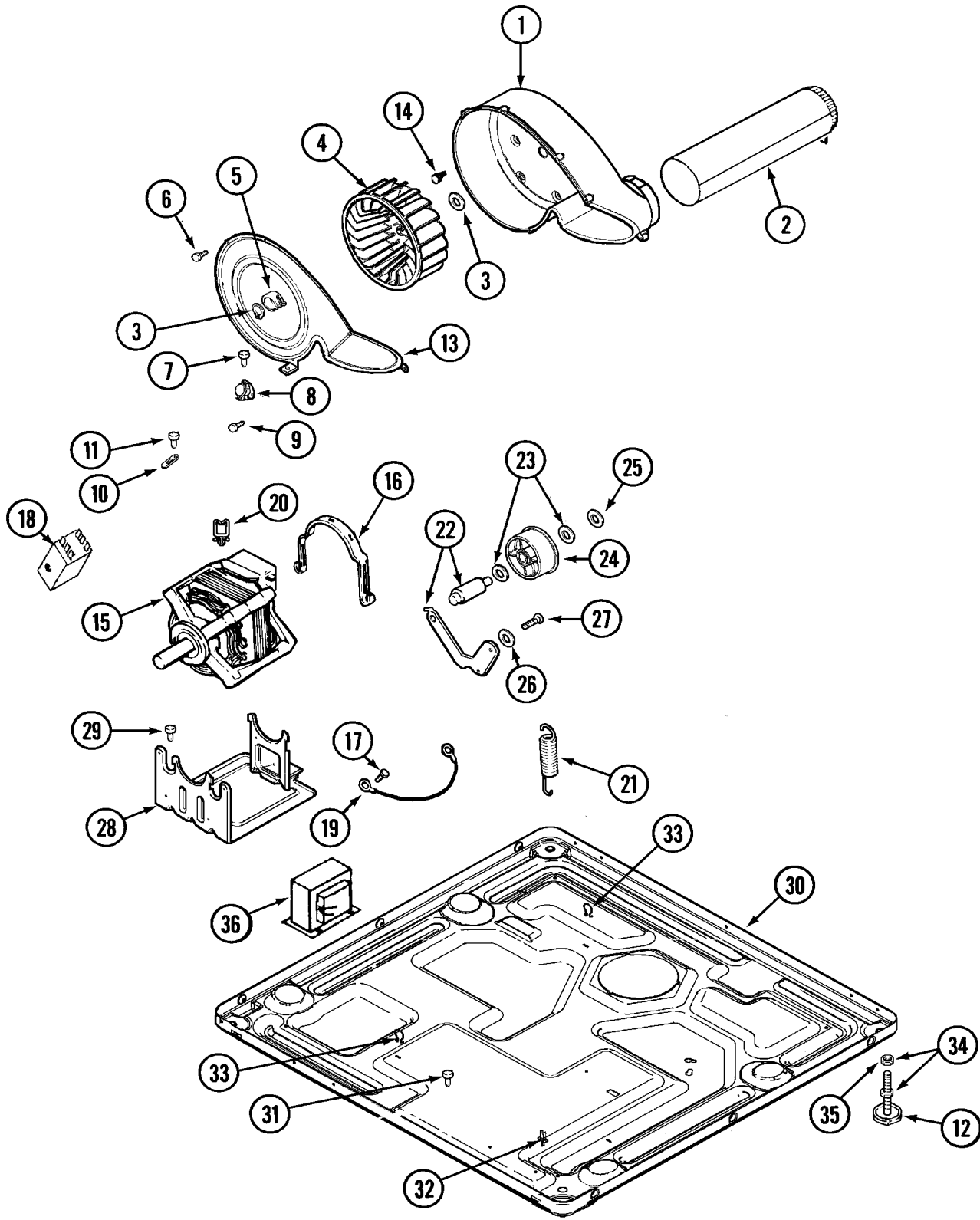
Section: HEATER

No.	Part No.	Description	Series	Qty
1	211294	SCREW Note: SCREW, HEATER	10	7
2	33001803	DUCT ASSY., INLET	10	1
3	314995	HEATER ENCLOSURE	10	1
4	314998	INSULATOR, TERMINAL	10	2
5	307186	HEATER SUB-ASSEMBLY 240V	10	1
6	314999	SHIELD, RADIANT	10	1
7	N 314554	SCREW Note: SCREW, TERMINAL INSULATOR	10	2
8	303396	THERMOSTAT, HI-LIMIT (ELEC)	10	1
9	307180	HEATER ASSEMBLY (240-50)	10	1
10	307173	WIRE, JUMPER	10	1
11	307473	FUSE, THERMAL	10	1
12	314848	SCREW Note: SCREW	10	3
13	315346	BRACKET, THERMAL FUSE	10	1
14	22001996	SCREW Note: SCREW, RADIANT SHIELD	10	2
-	308590	CONVERSION KIT (240V TO 208V)	10	1

*Color Code (-)=Not Shown #=Series, Serial Prefix or Run No., N=Not Available

Section: MOTOR DRIVE

Model: MDE16MNAGW



LD14-43

Section: MOTOR DRIVE

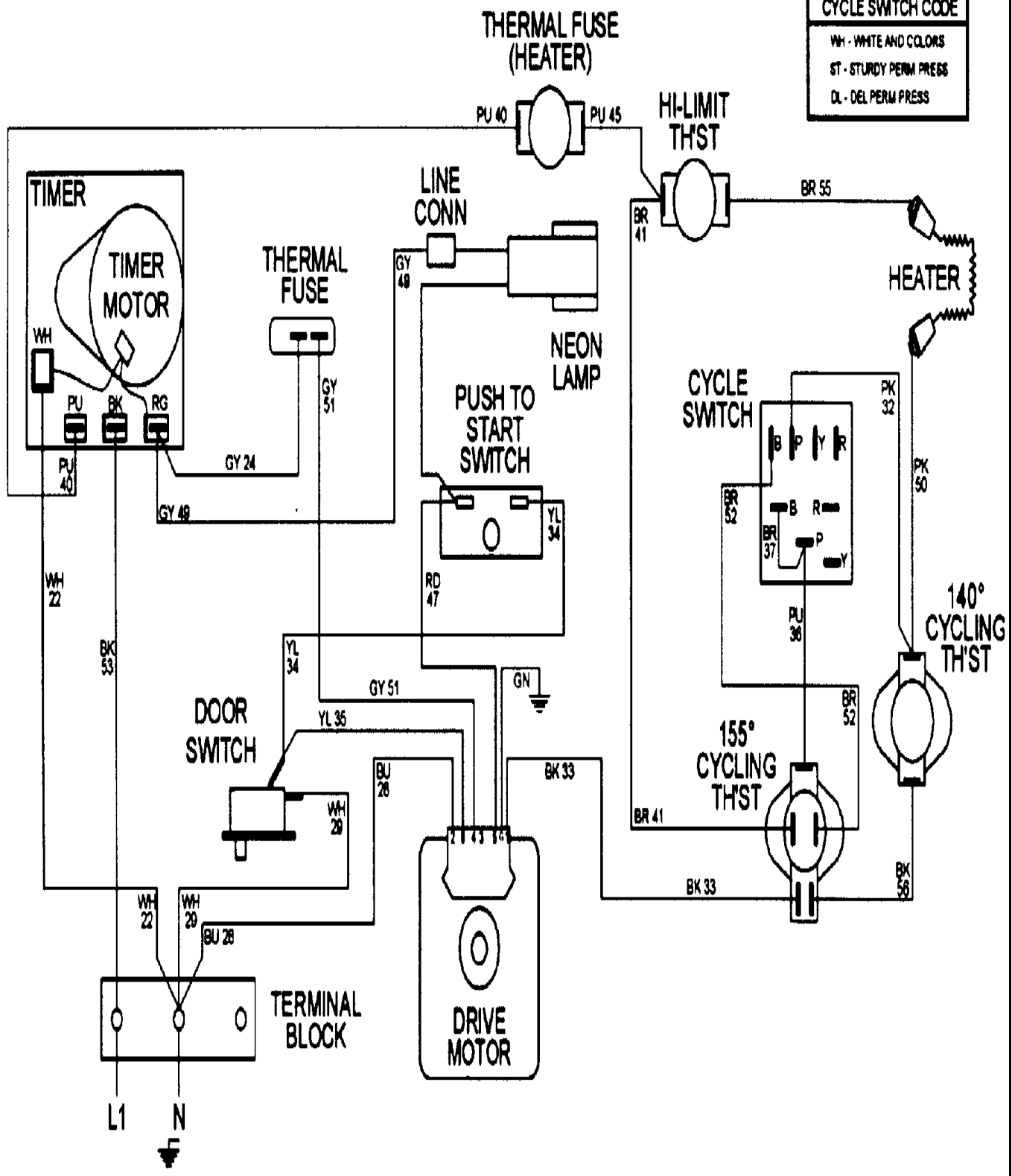
No.	Part No.	Description	Series	Qty
1	33001789	HOUSING, BLOWER	10	1
-	22001995	SCREW Note: SCREW, EXHAUST DUCT ASSEMBLY	10	1
2	33001800	DUCT ASSY., EXHAUST	10	1
3	410233	RING, RETAINING	10	2
4	33002797	WHEEL, BLOWER	68	1
4	33001790	WHEEL, BLOWER	10	1
4	33002797	WHEEL, BLOWER	59	1
5	312967	CLAMP, BLOWER HOUSING	10	1
6	33001855	SCREW (HEX HEAD) Note: SCREW, HOUSING COVER	10	8
7 N	313561	SCREW----NA Note: SCREW, HOUSING COVER	10	3
-	33001306	HARNESS, WIRE Note: WIRE HARNESS, THERMOSTAT	10	1
8	306967	THERMOSTAT, MULTI-TEMP Note: THERMOSTAT, MULTI-TEMP.	10	1
8	303392	CYCLING THERMOSTAT 140 DEG. Note: THERMOSTAT, CYCLING	10	1
9	22001996	SCREW Note: SCREW, THERMOSTAT	10	4
10	33001762	FUSE, THERMAL (W' BRACKET)	10	1
11	314848	SCREW Note: SCREW, THERMAL CUT-OFF	10	1
12	314137	FOOT, RUBBER	10	4
13	33001796	COVER, BLOWER HOUSING	10	1
14	314818	SCREW Note: SCREW, BLOWER HOUSING	10	4
15	33002796	MOTOR, DRIVE 50HZ	59	1
15	33001945	MOTOR	10	1
15	33002463	MOTOR (230V 50HZ)	26	1
15	305758	TIMER 240-50	40	1
15	33002796	MOTOR, DRIVE 50HZ	68	1
15	33002479	MOTOR & PULLEY ASSEMBLY (50HZ)	30	1
16	015825	CLIP, MOTOR	10	2
17	910343	SCREW, GROUND WIRE	10	1
- N	33002451	SWITCH, MOTOR	10	1
19	901220	WIRE, GROUND	10	1
20	310376	CLIP, WIRE HARNESS	10	1
21	33002460	SPRING, IDLER Note: SPRING & PLUG KIT 33002459	25	1
-	33002157	GROMMET	10	1
21	33001754	SPRING, IDLER	10	1
-	33002461	PLUG FOR SPRING	25	1
22	33001782	IDLER ARM & SHAFT ASSY.	10	1
23	312527	WASHER, IDLER SHAFT (QTY-1)	10	2
24	33001783	BEARING, IDLER ASSEMBLY	10	1
25	312958	RETAINING RING, IDLER SHAFT	10	1
26	315772	SLEEVE, IDLER ARM	10	1
27	014874	SCREW Note: SCREW, IDLER ARM SLEEVE	10	1
- N	313561	SCREW----NA	25	1
28	33001752	SUPPORT, MOTOR	10	1
28	33002466	SUPPORT, MOTOR	25	1
29 N	313561	SCREW----NA Note: SCREW, MOTOR & BLOWER	10	2
30 N	33002465	BASE, (LWR)----NA	38	1
30	33001845	BASE Note: BASE	10	1
30 N	33002465	BASE, (LWR)----NA	25	1
30	33002622	BASE, (LWR)	36	1
31	22001078	SCREW Note: SCREW, RELAY & BASE	10	2
32	315471	RETAINER, WIRE	10	1
33	410490	SPRING, WIRE HARNESS	10	2
34	305086	ADJUSTABLE LEG & NUT	10	4
35	052740	NUT Note: NUT, LEG	10	4
-	211294	SCREW Note: SCREW, TRANSFORMER	10	3
36	33001821	TRANSFORMER	10	1
-	313559	SCREW Note: SCREW, TRANSFORMER	10	1

*Color Code (-)=Not Shown #=Series, Serial Prefix or Run No., N=Not Available

Section: WIRING INFORMATION

Model: MDE16MNAGW

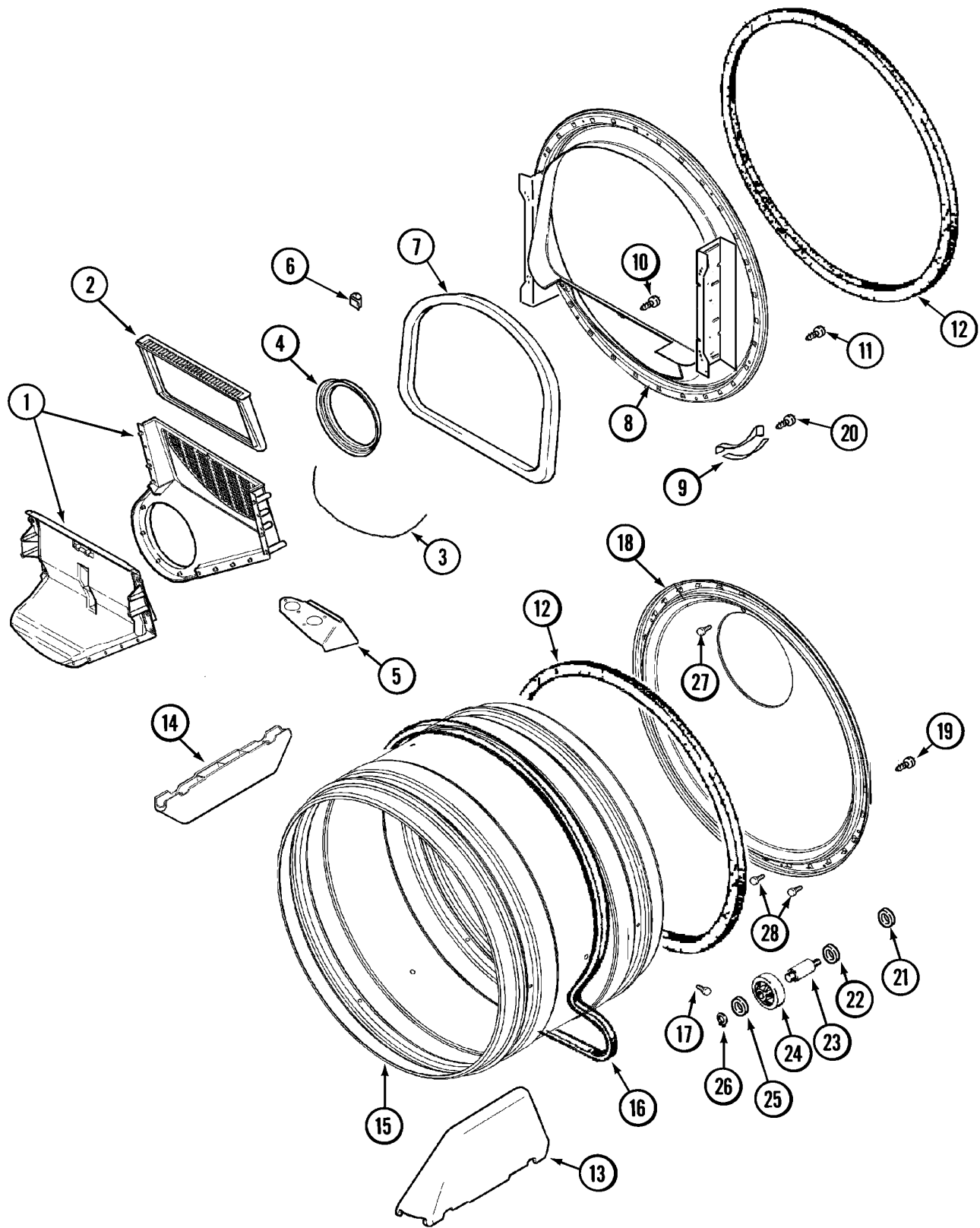
CYCLE SWITCH CODE	
WH	- WHITE AND COLORS
ST	- STURDY PERM PRESS
DL	- DEL PERM PRESS



15002487

Section: TUMBLER

Model: MDE16MNAGW



Section: TUMBLER

No.	Part No.	Description	Series	Qty
1	33001799	OUTLET DUCT ASSEMBLY	10	1
2	33001804	FILTER, LINT	10	1
3	N 33001775	SEAL, OUTLET DUCT	10	1
4	33001758	SEAL, BLOWER	10	1
5	33001837	COVER, THERMOSTAT (ELEC ONLY)	10	1
6	310376	CLIP, WIRE HARNESS	10	1
7	33001767	SEAL, SHROUD	10	1
8	33001802	FRONT, TUMBLER (W/SEAL)	10	1
9	306508	TUMBLER BEARING KIT	10	2
10	N 312311	SCREW----NA Note: SCREW, OUTLET DUCT (PHILLIPS)	10	1
11	33001855	SCREW (HEX HEAD) Note: SCREW, DUCT TO TUMBLER (HEX)	10	4
12	33001807	SEAL, TUMBLER	10	2
13	33001756	BAFFLE (TALL)	10	2
14	33001755	BAFFLE (SHORT)	10	1
15	33001794	TUMBLER	10	1
16	33001777	BELT, TUMBLER	10	1
17	33001788	SCREW, BAFFLE	10	6
18	33001801	BACK, TUMBLER (W/SEAL)	10	1
19	33002190	SCREW (#10-3/8")	10	4
20	210720	RIVET	10	4
21	33001443	NUT, HEX (ROLLER SHAFT)	10	2
22	313347	WASHER, SPRING (ROLLER SHAFT)	10	2
23	312948	SHAFT, TUMBLER ROLLER	10	2
24	303373	BEARING & ROLLER ASSEMBLY Note: ROLLER (W/BEARING)	10	2
25	312535	WASHER, ROLLER SHAFT	10	2
26	410233	RING, RETAINING	10	2
27	210932	SCREW, #8 X 9/16 CTSK Note: SCREW, INLET DUCT	10	1
28	22001996	SCREW Note: SCREW, INLET DUCT	10	2

*Color Code (-)=Not Shown #=Series, Serial Prefix or Run No., N=Not Available

