

WASHER

Repair Parts List

MODEL NUMBER

MFS100PFVS

When requesting service or ordering parts, always provide the following information:

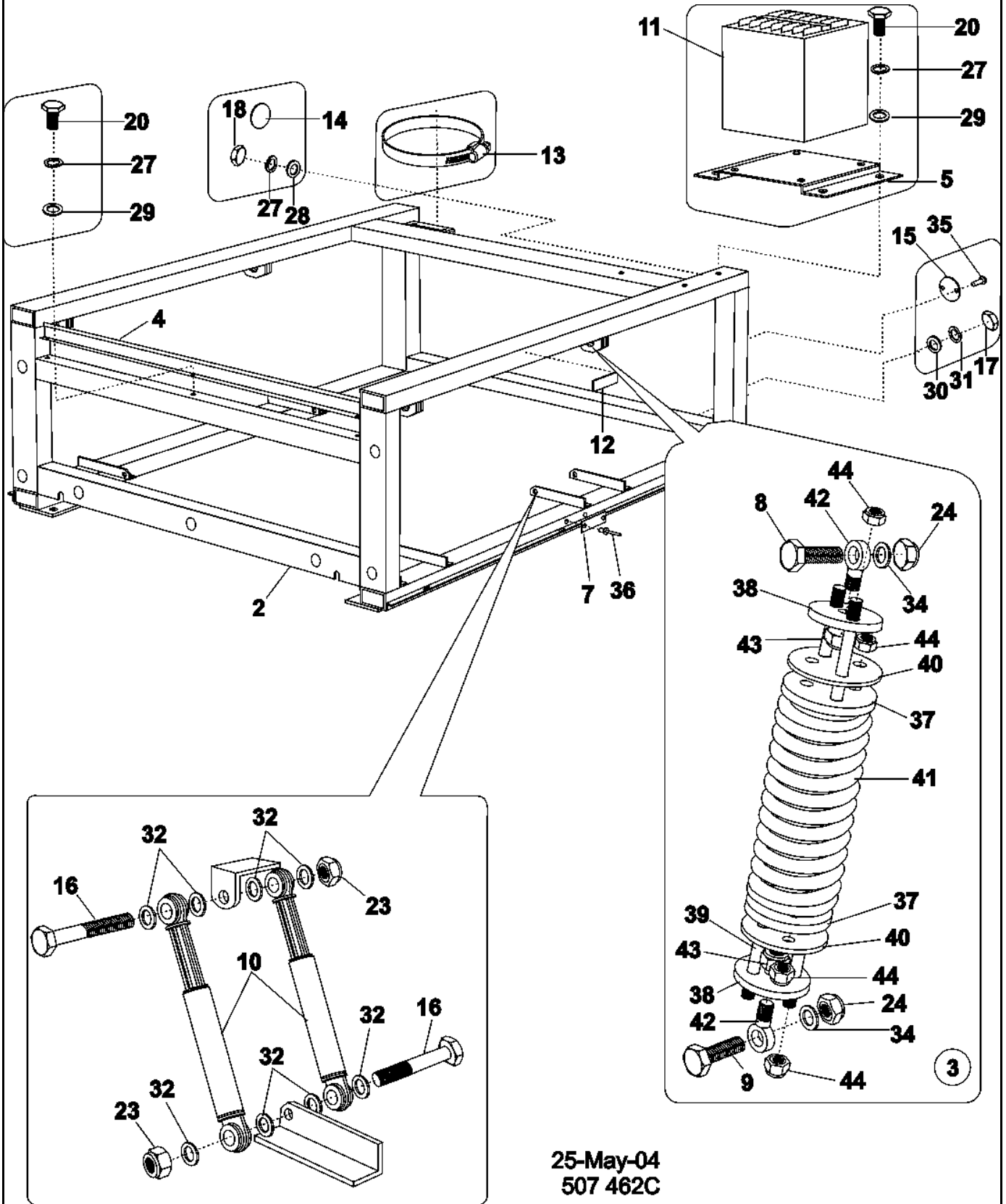
- Product Type
- Part Number
- Model Number
- Part Description

MAYTAG®

©2005 Maytag Services

Section: FRAME

Model: MFS100PFVS

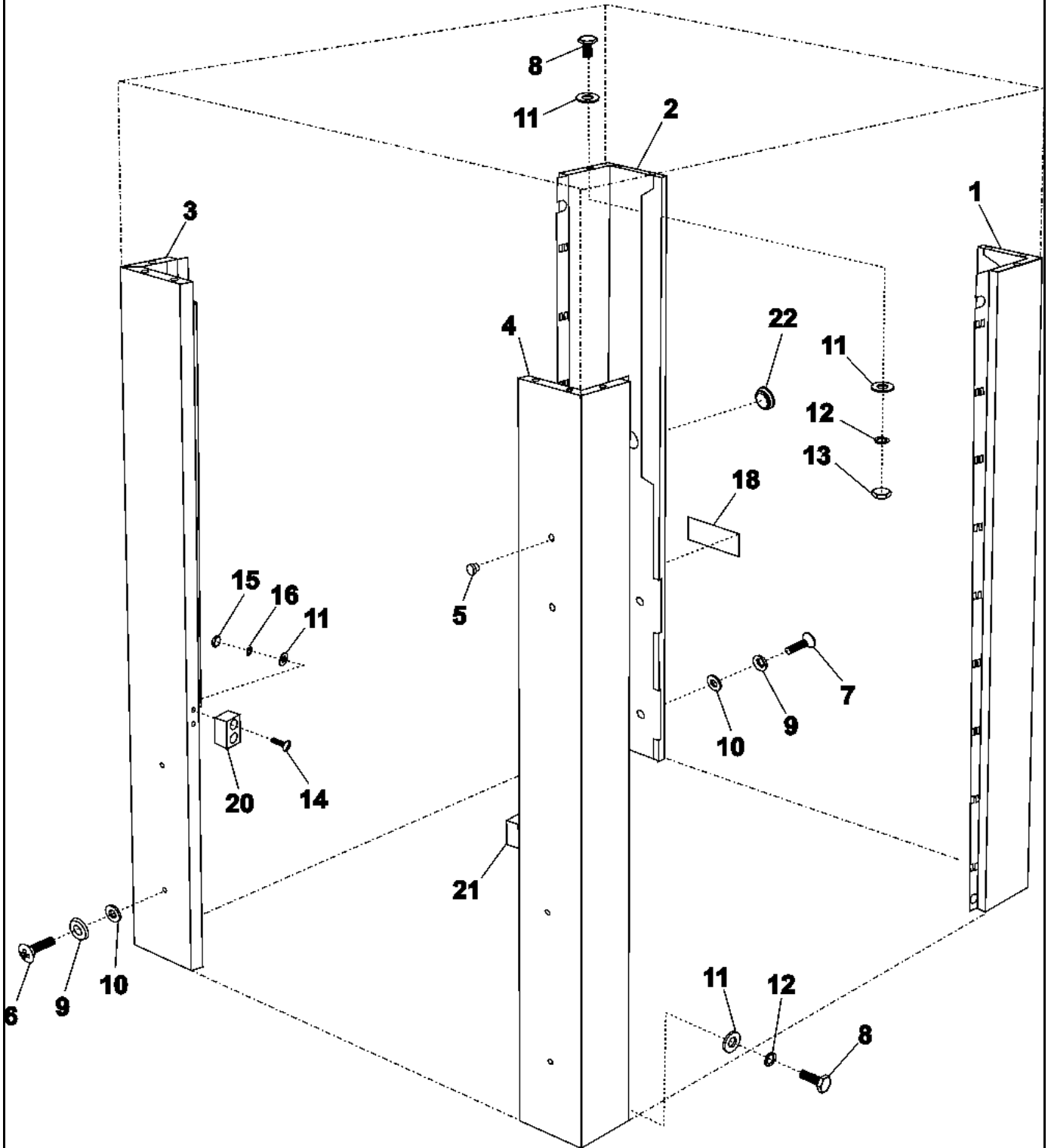


25-May-04
507 462C

CW19-52

Section: CABINET

Model: MFS100PFVS

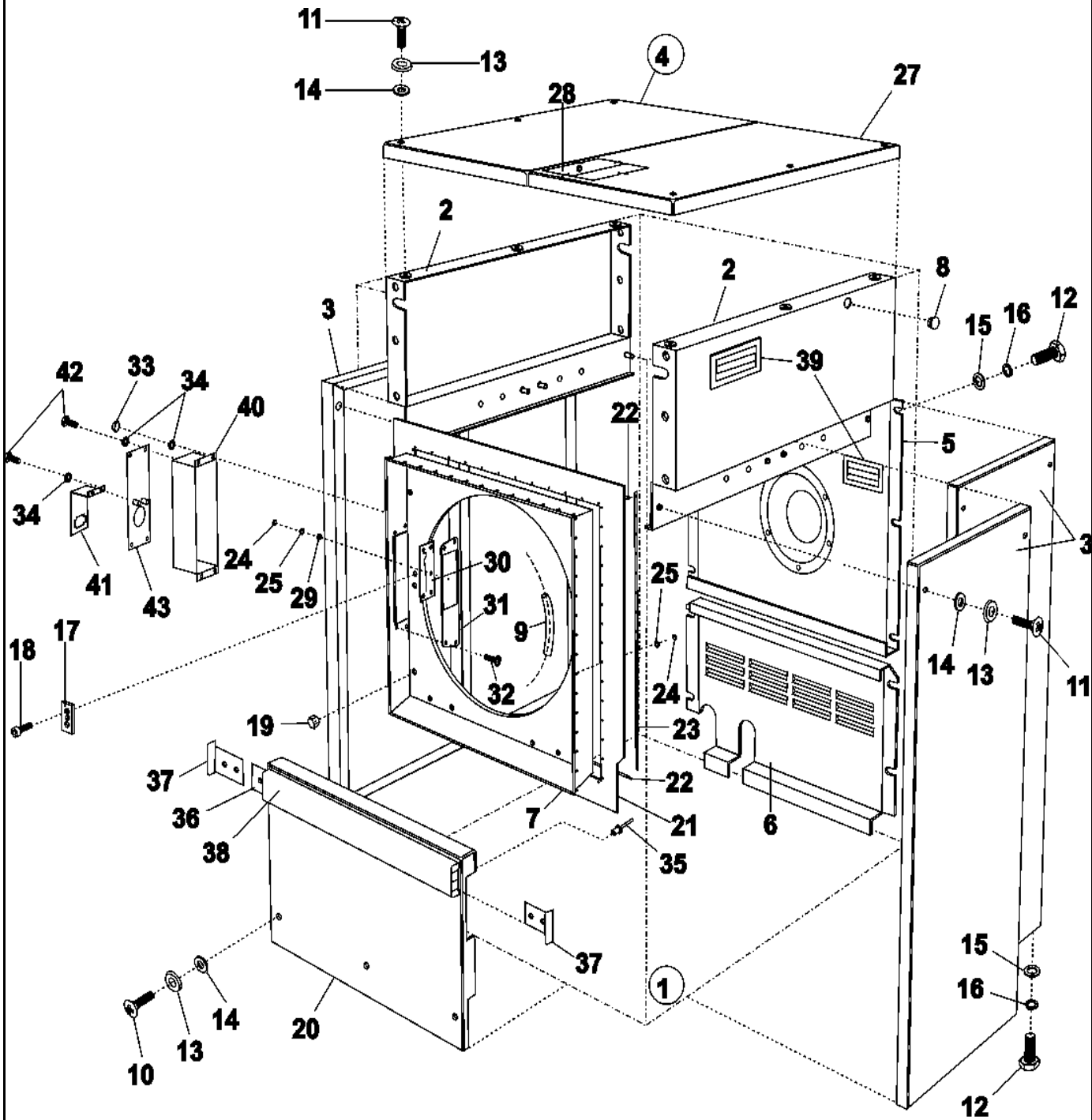


05-Feb-02
507 463B

CW12-59

Section: SIDE PANELS

Model: MFS100PFVS

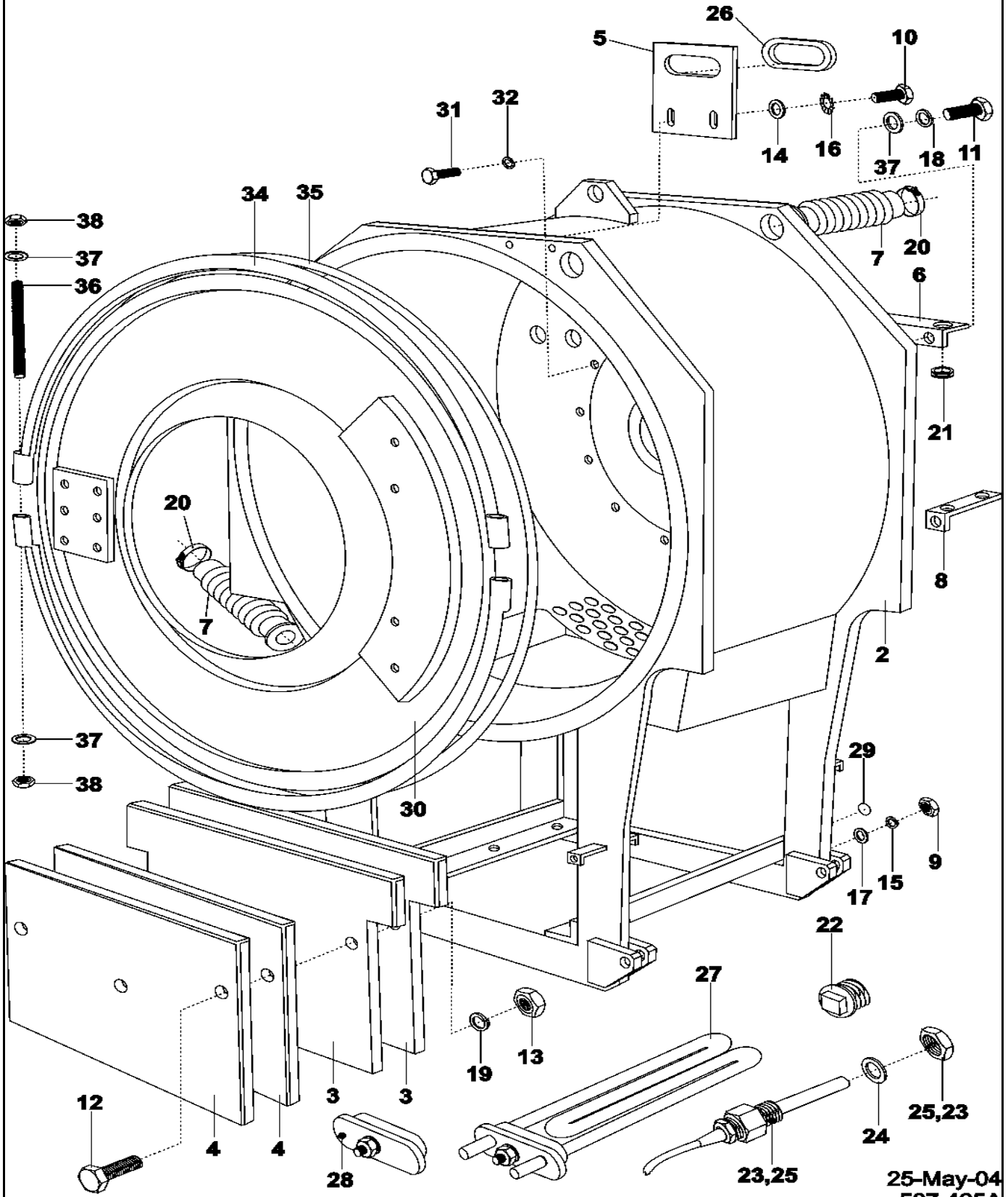


25-Apr-02
507 464C

CW12-60

Section: TUB

Model: MFS100PFVS

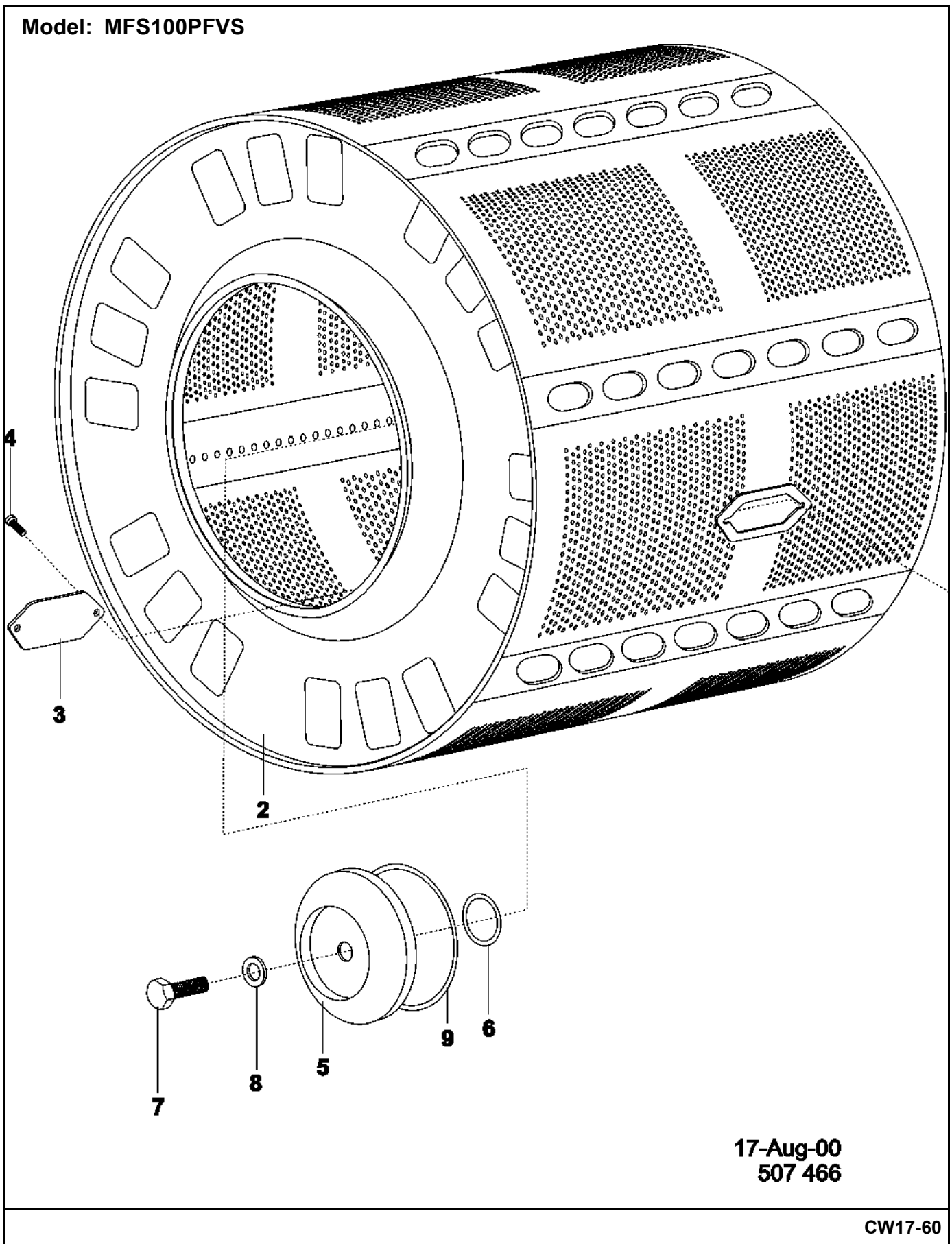


25-May-04
507 465A

CW17-59

Section: DRUM

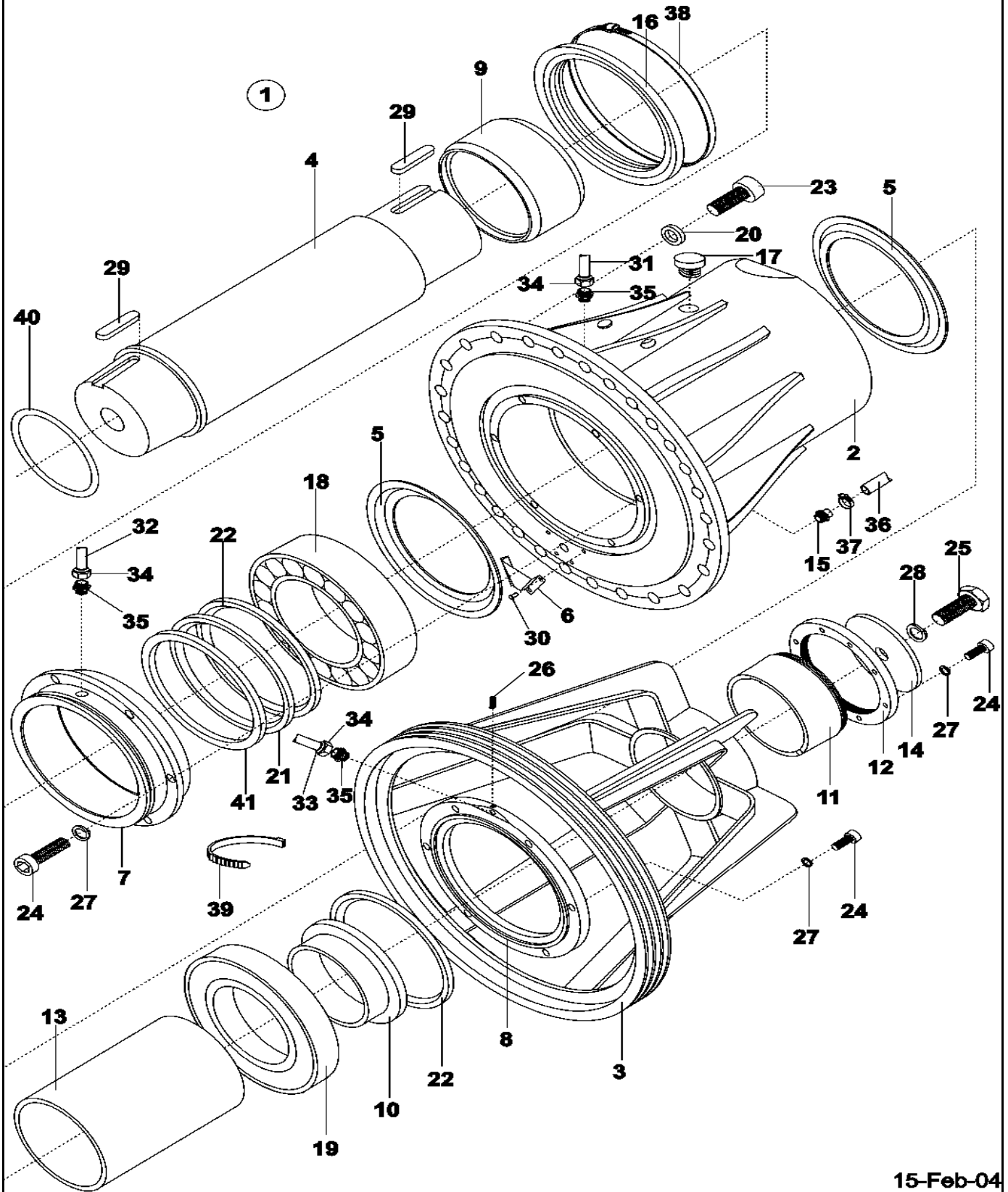
Model: MFS100PFVS



17-Aug-00
507 466

Section: TRUNNION 100-125LB

Model: MFS100PFVS

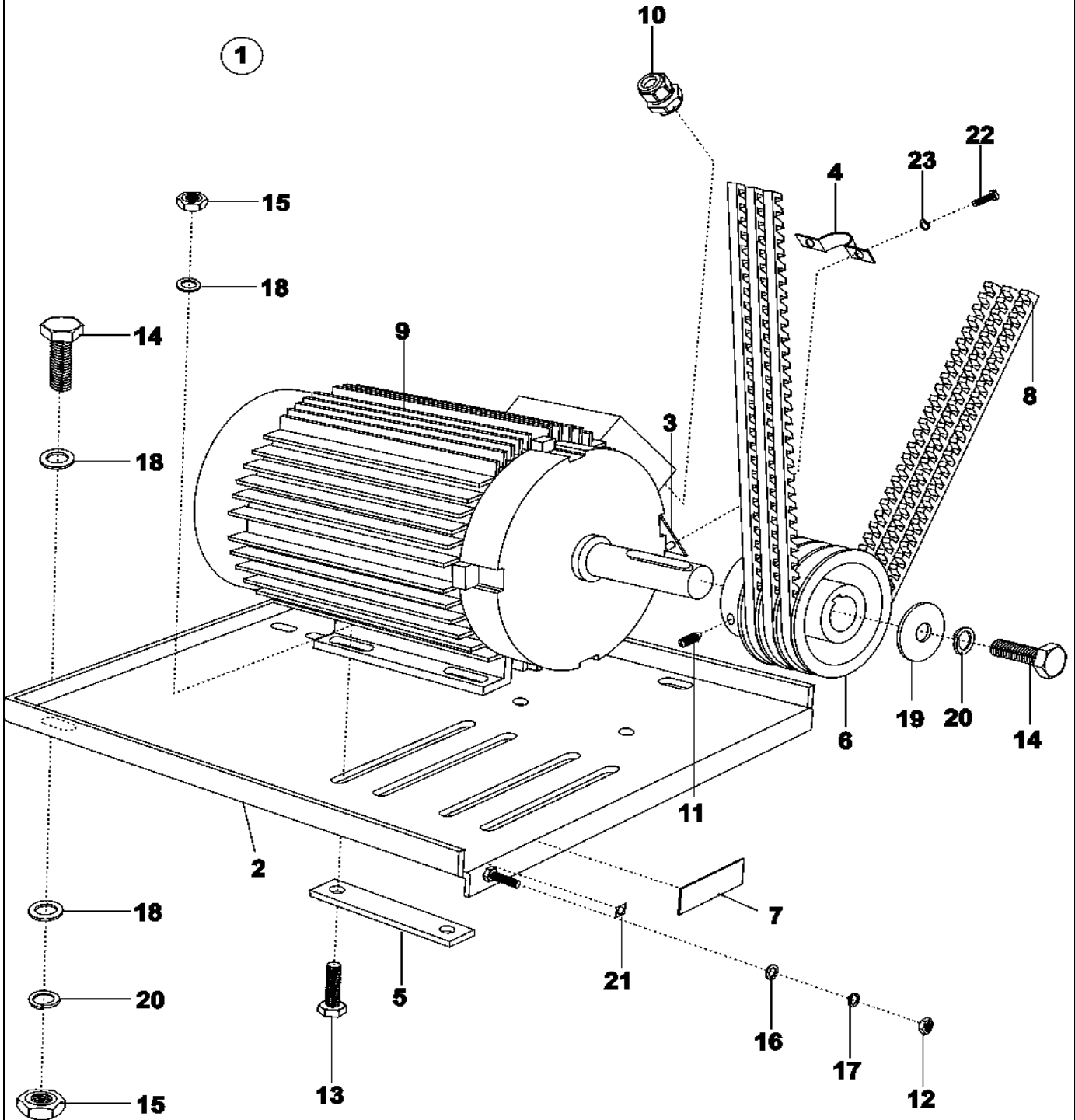


15-Feb-04
507 493A

CW24-13

Section: MOTOR

Model: MFS100PFVS

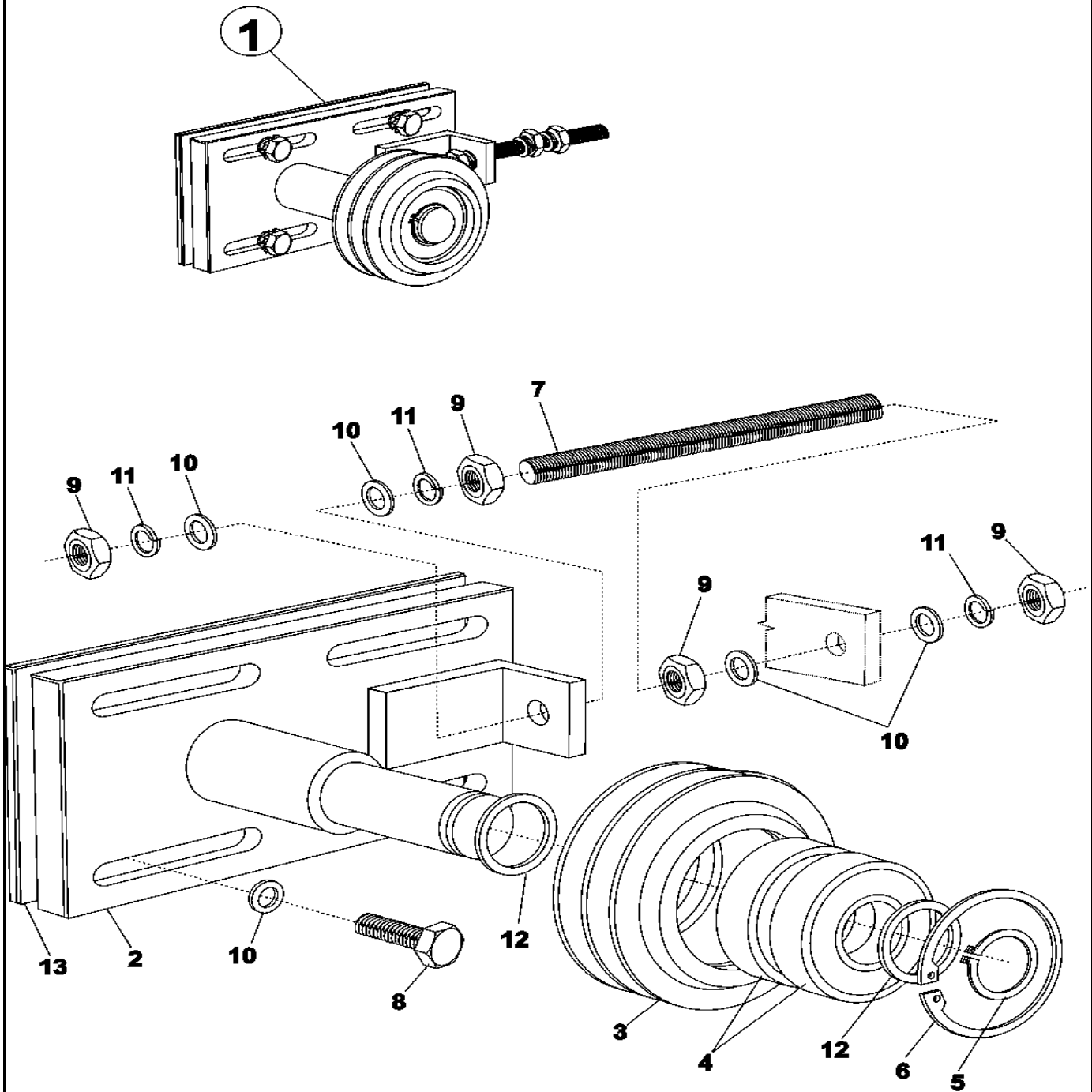


25-May-04
507 469A

CW23-15

Section: IDLER

Model: MFS100PFVS

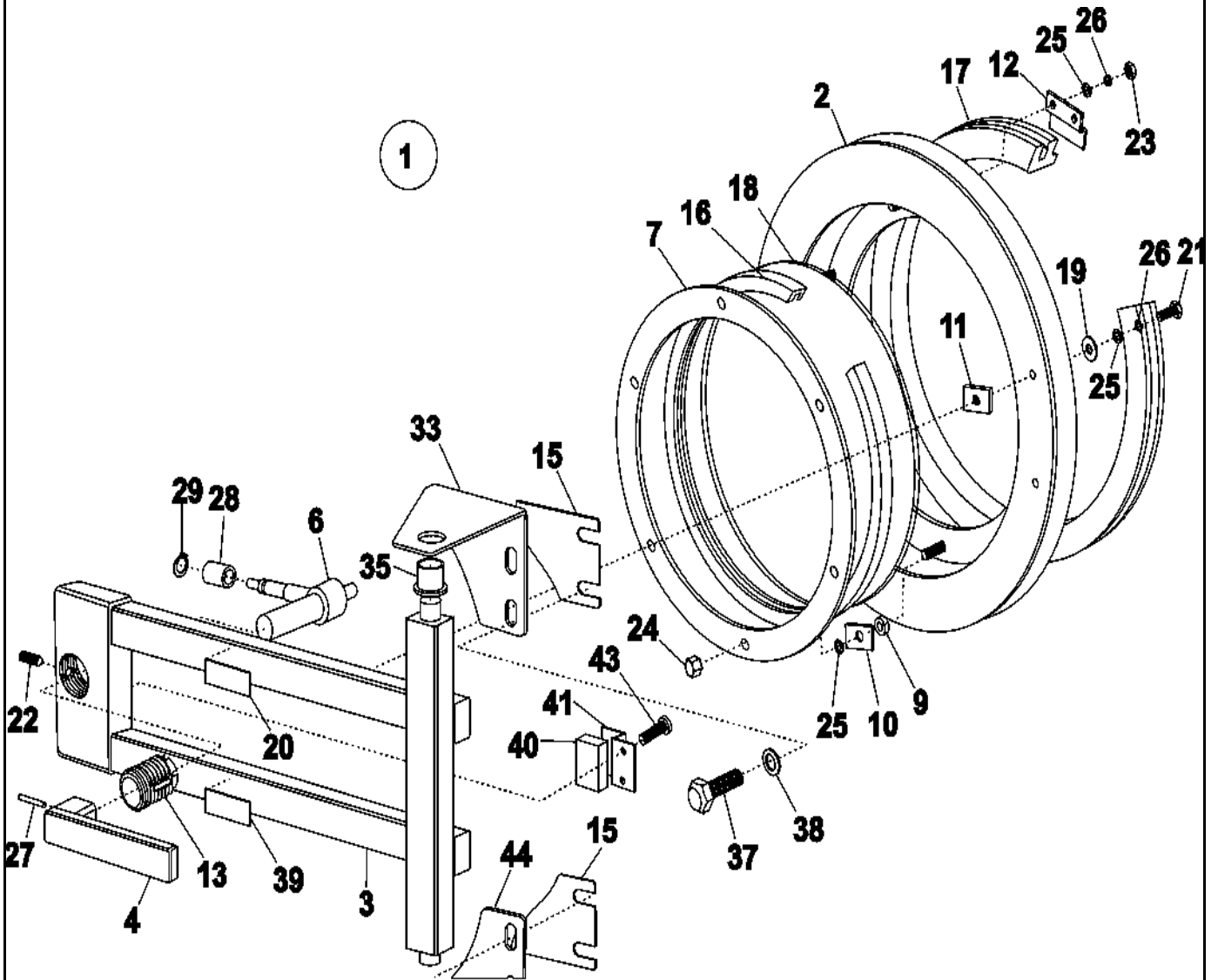


23-Dec-05
507 470A

CW23-16

Section: DOOR

Model: MFS100PFVS

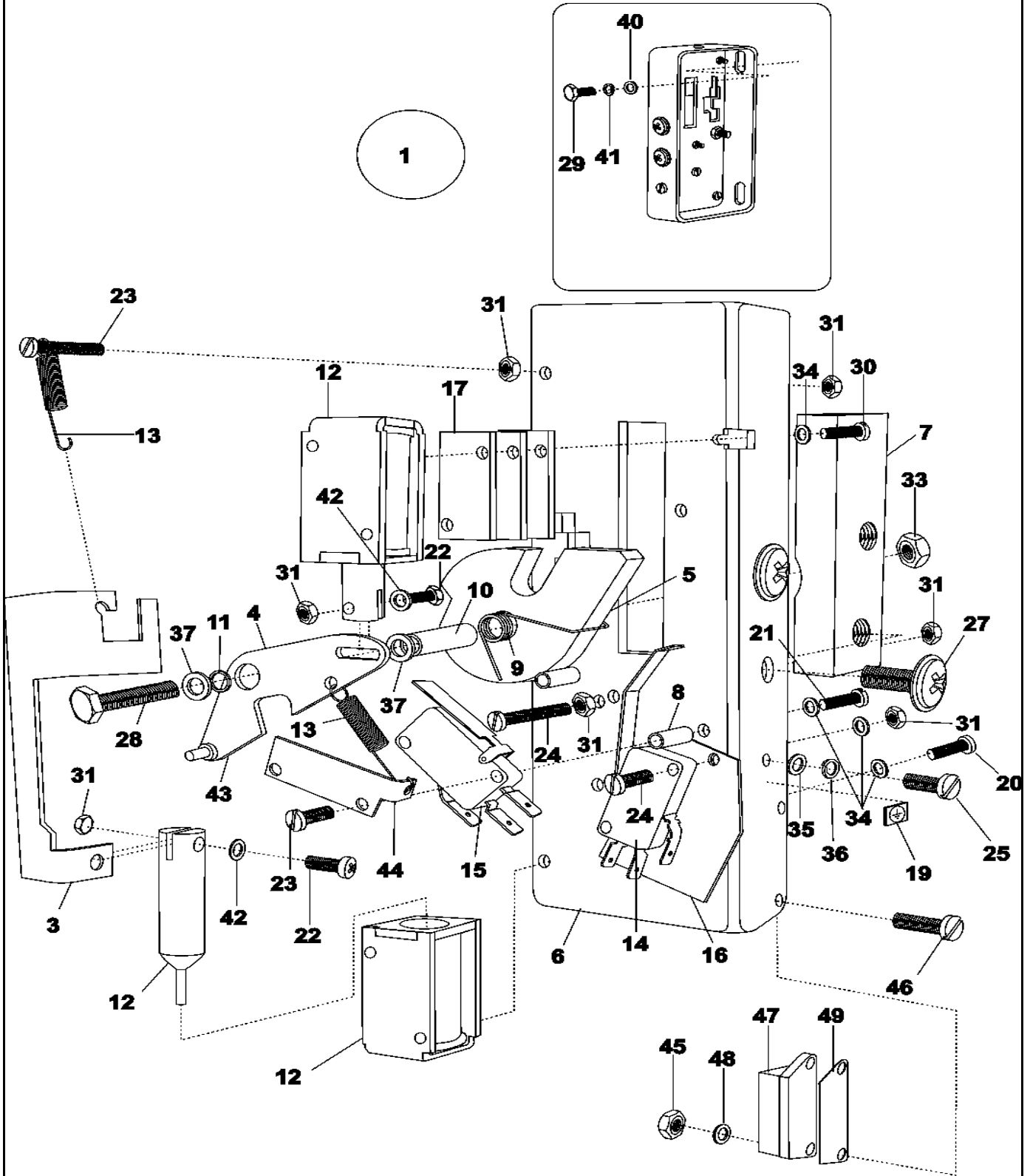


27-Jan-05
507 471 B

CW10-83

Section: DOOR LOCK

Model: MFS100PFVS

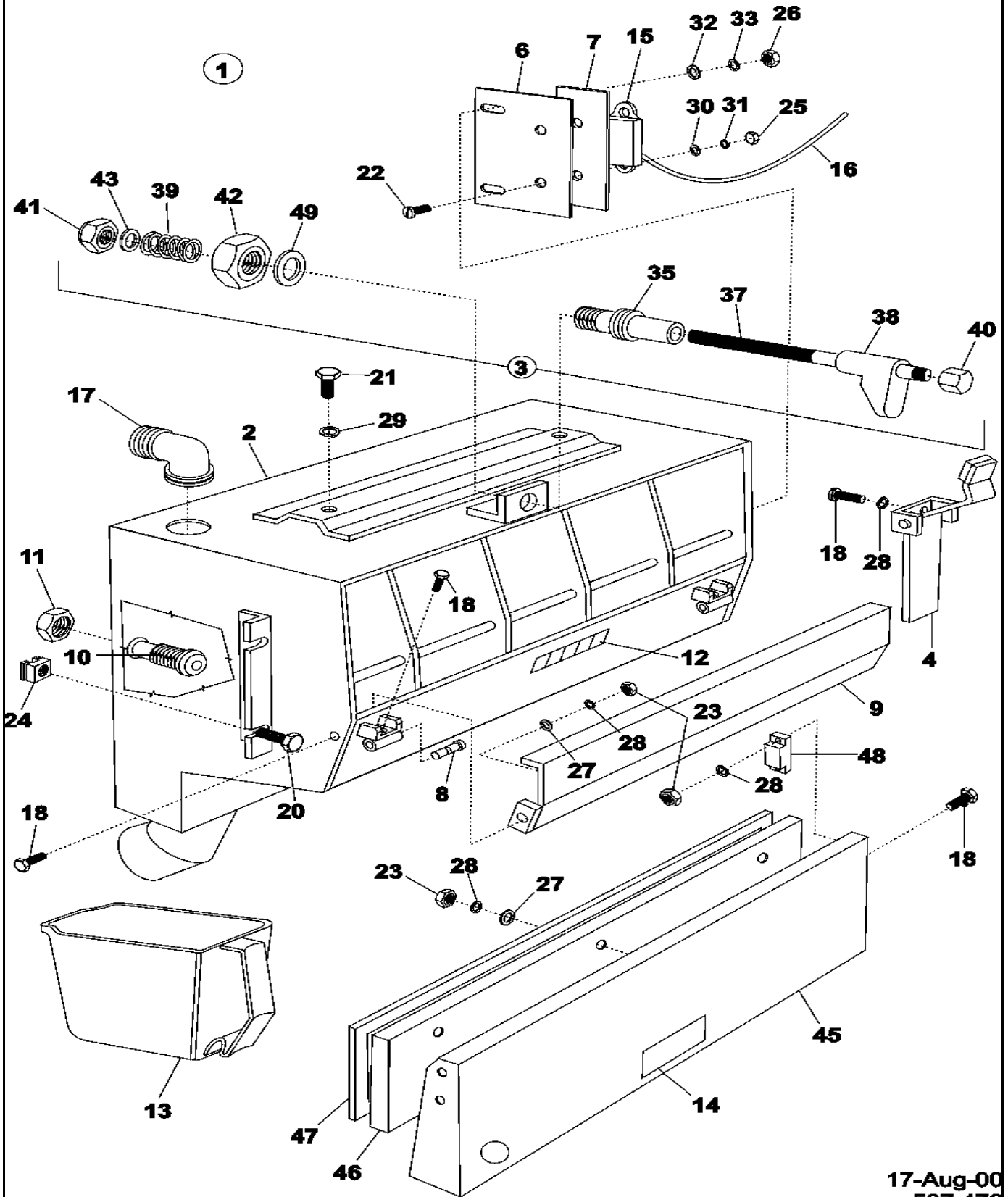


03-Mar-03
507 472B

CW10-84

Section: SOAP HOPPER

Model: MFS100PFVS

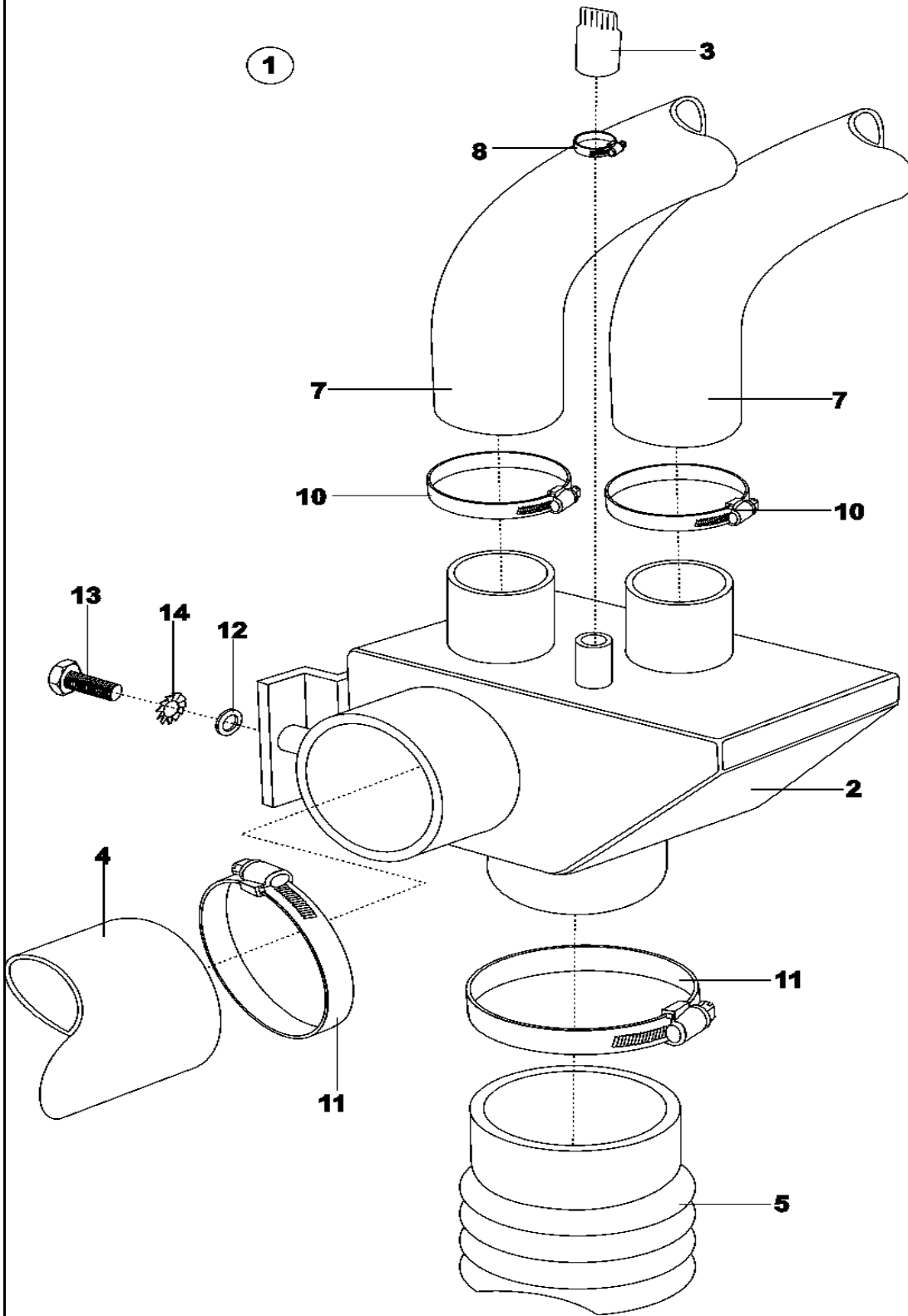


17-Aug-00
507 473

CW16-34

Section: FILLING SYSTEM

Model: MFS100PFVS



16-May-04
507 474A

CW21-187

Section: VALVES

Model: MFS100PFVS

Hard water lineal Cold water lineal Agua fría línea Agua freds línia ZALDRO KIZPO HEBKO Kizil' vod, linia	Eau d'ore froide Kältes Wasser leit Kizil' fants' vod Acqua fredda linea Havil' ledil' vana
--	---

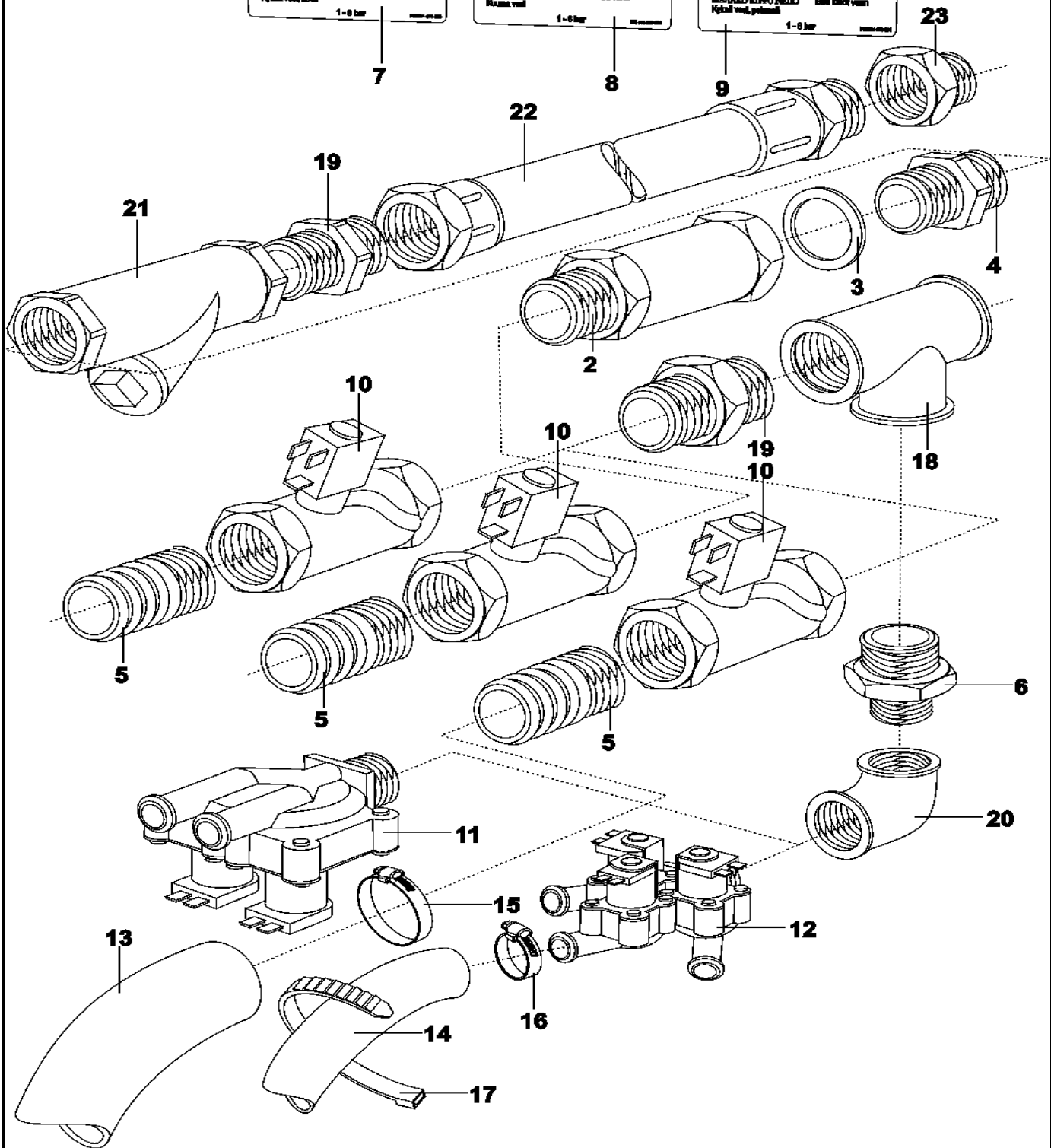
1-0 bar

Warm water Hot water Agua Caliente Agua quente KIZPO KIZPO HEBKO Kizma vod	Eau chaude Warm Wasser Varmt vand Acqua Calda Vayil' vana
---	---

1-0 bar

Zacht water lineal Cold water soft Agua Ma desmineralizada Agua Ma munda MA-LAKO KIZPO HEBKO Kizil' vod, pekmal	Eau d'ore froide Kältes Wasser weich Kizil' bilit' vod Acqua fredda dolce DNI ledil' vana
--	---

1-0 bar

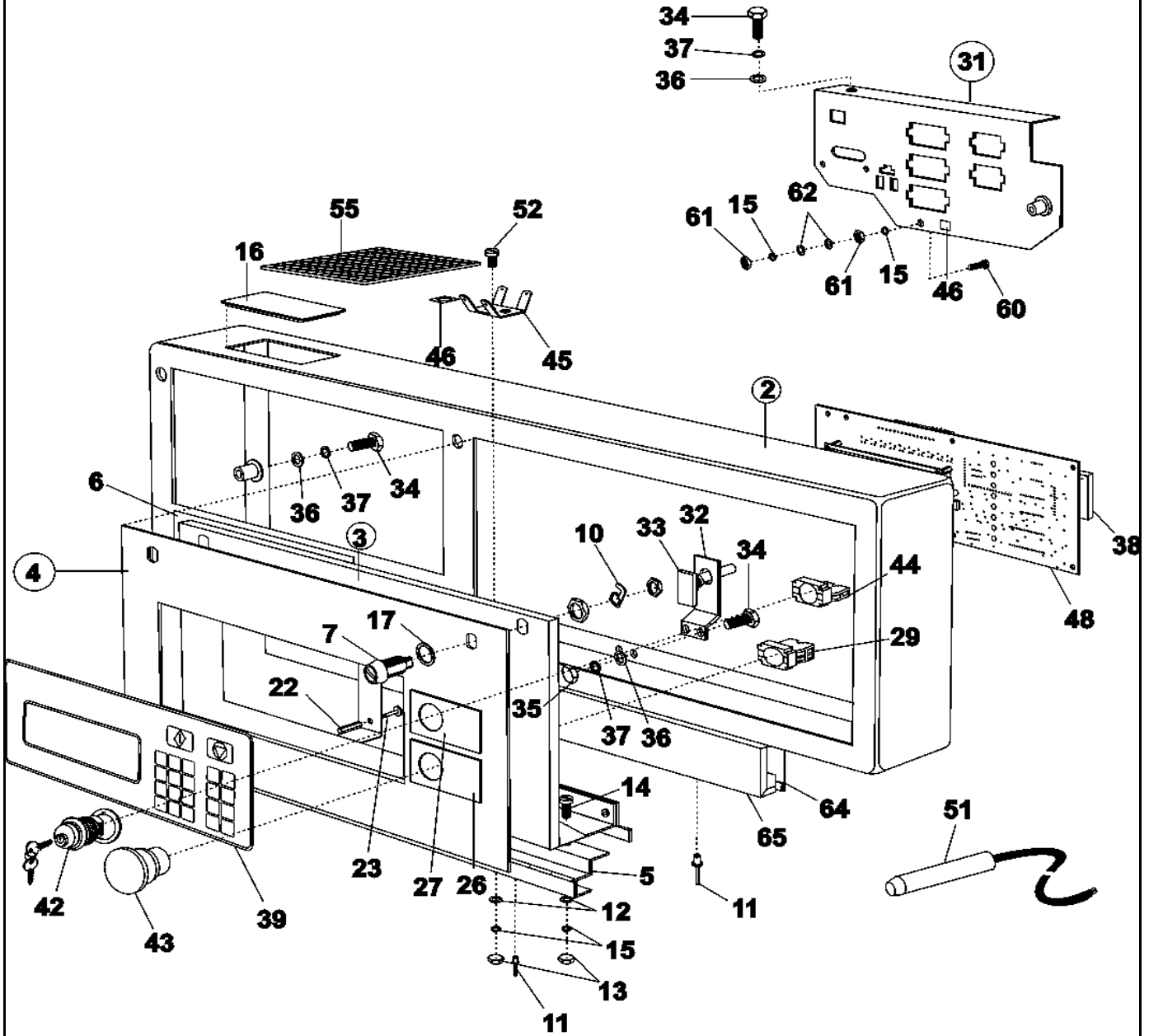


03-Mar-02
507 475

CW21-188

Section: CONTROL PANEL

Model: MFS100PFVS

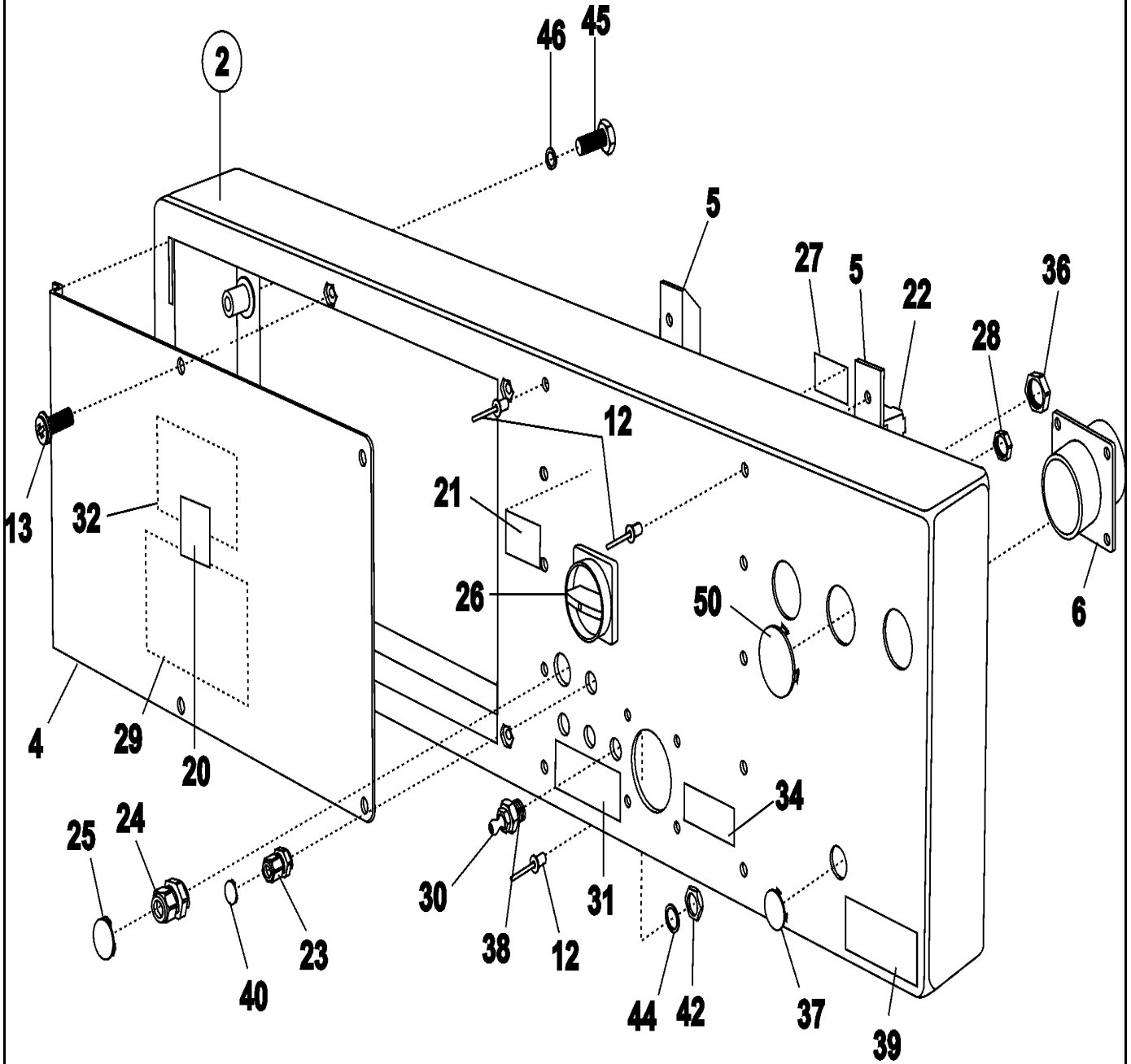


11-Apr-05
516 537

CW11-99

Section: REAR PANEL

Model: MFS100PFVS

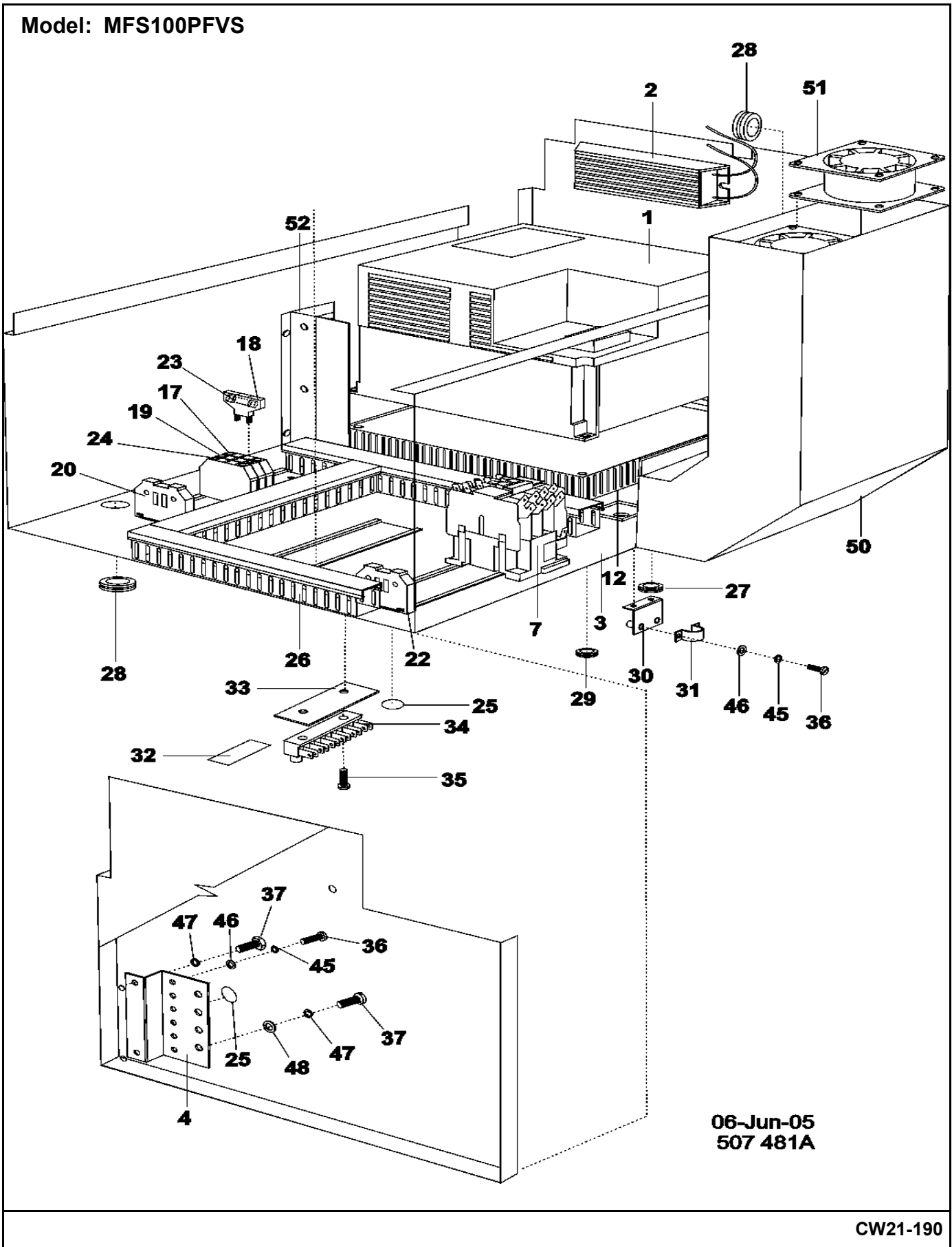


31-May-04
507 479B

CW21-189

Section: ELECTRICAL COMPONENTS

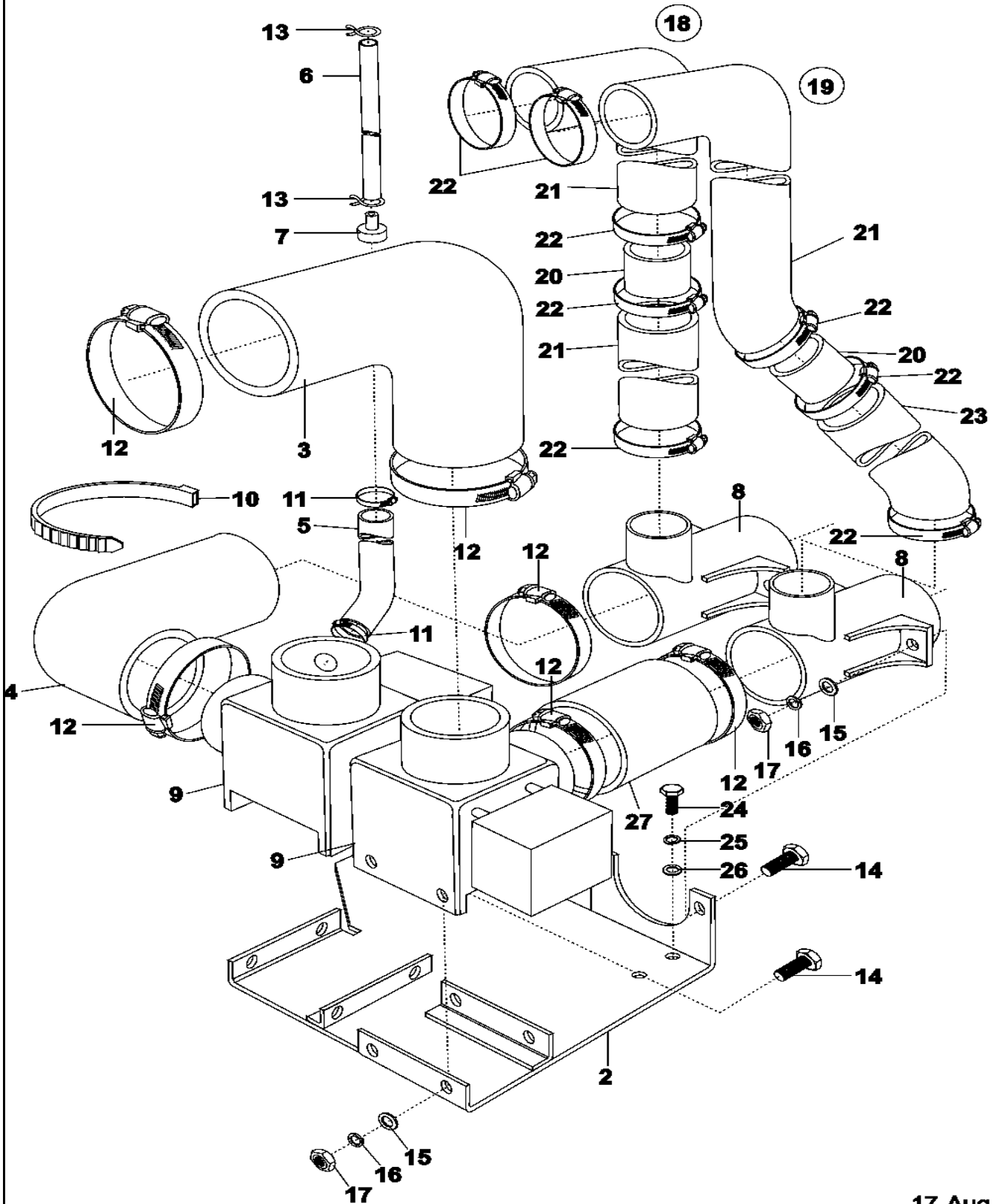
Model: MFS100PFVS



CW21-190

Section: DRAIN SYSTEM 100-125LB

Model: MFS100PFVS



17-Aug-00
508 011

CW21-192