

WASHER

Repair Parts List

MODEL NUMBER
MFS35PNFTS

When requesting service or ordering parts, always provide the following information:

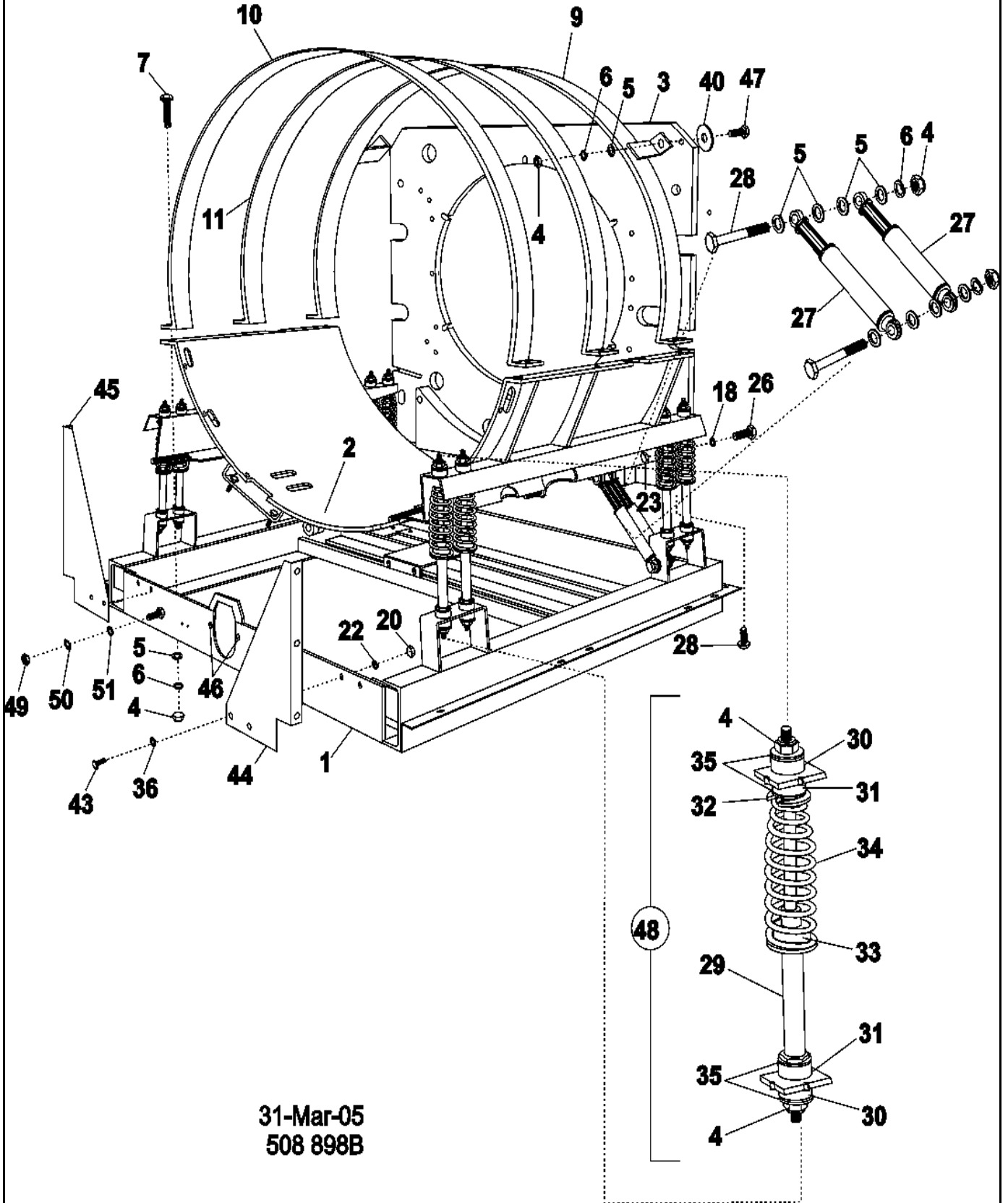
- Product Type
- Part Number
- Model Number
- Part Description

MAYTAG®

©2005 Maytag Services

Section: FRAME AND TUB SUPPORT

Model: MFS35PNFTS

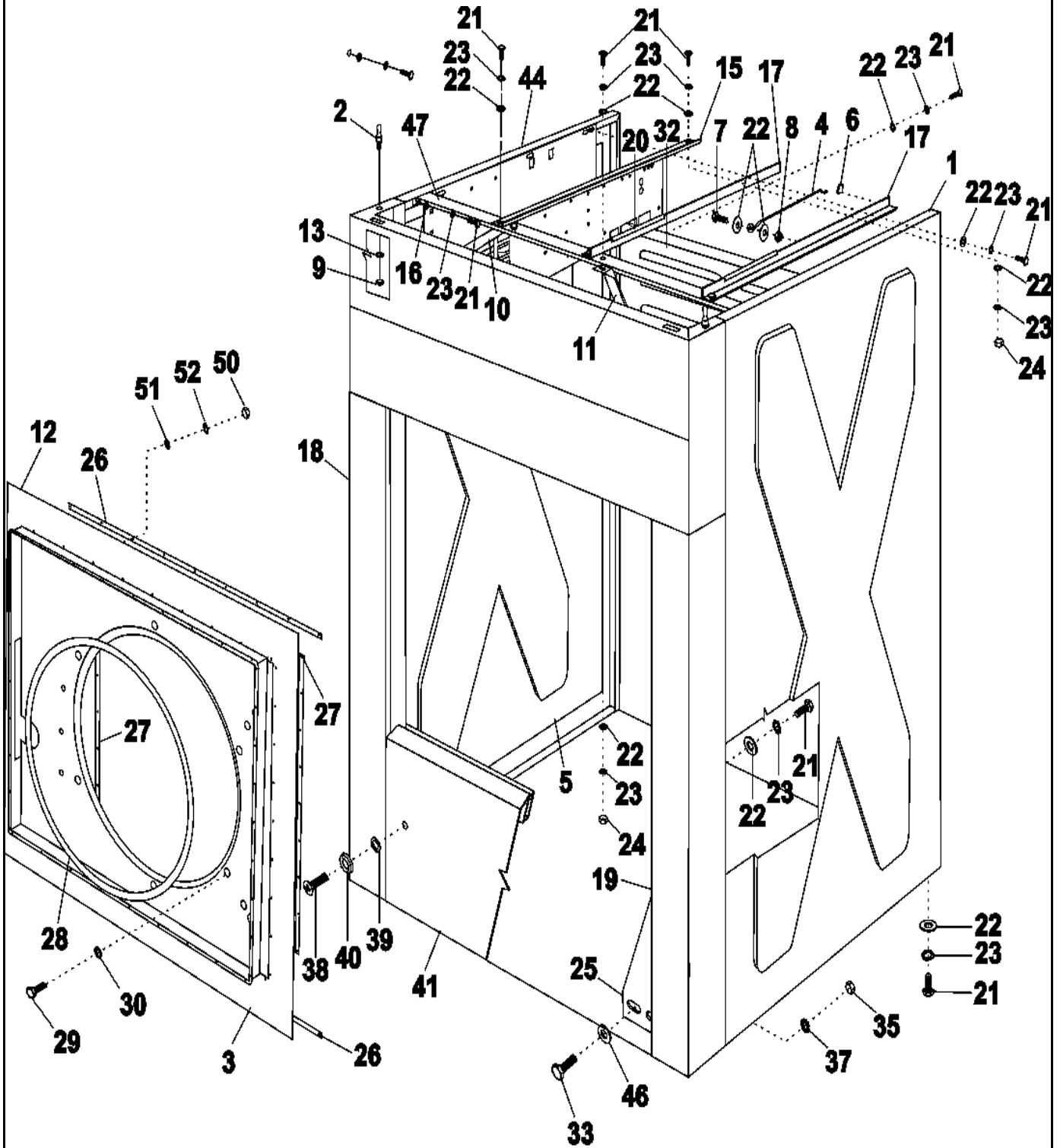


31-Mar-05
508 898B

CW19-51

Section: CABINET

Model: MFS35PNFTS

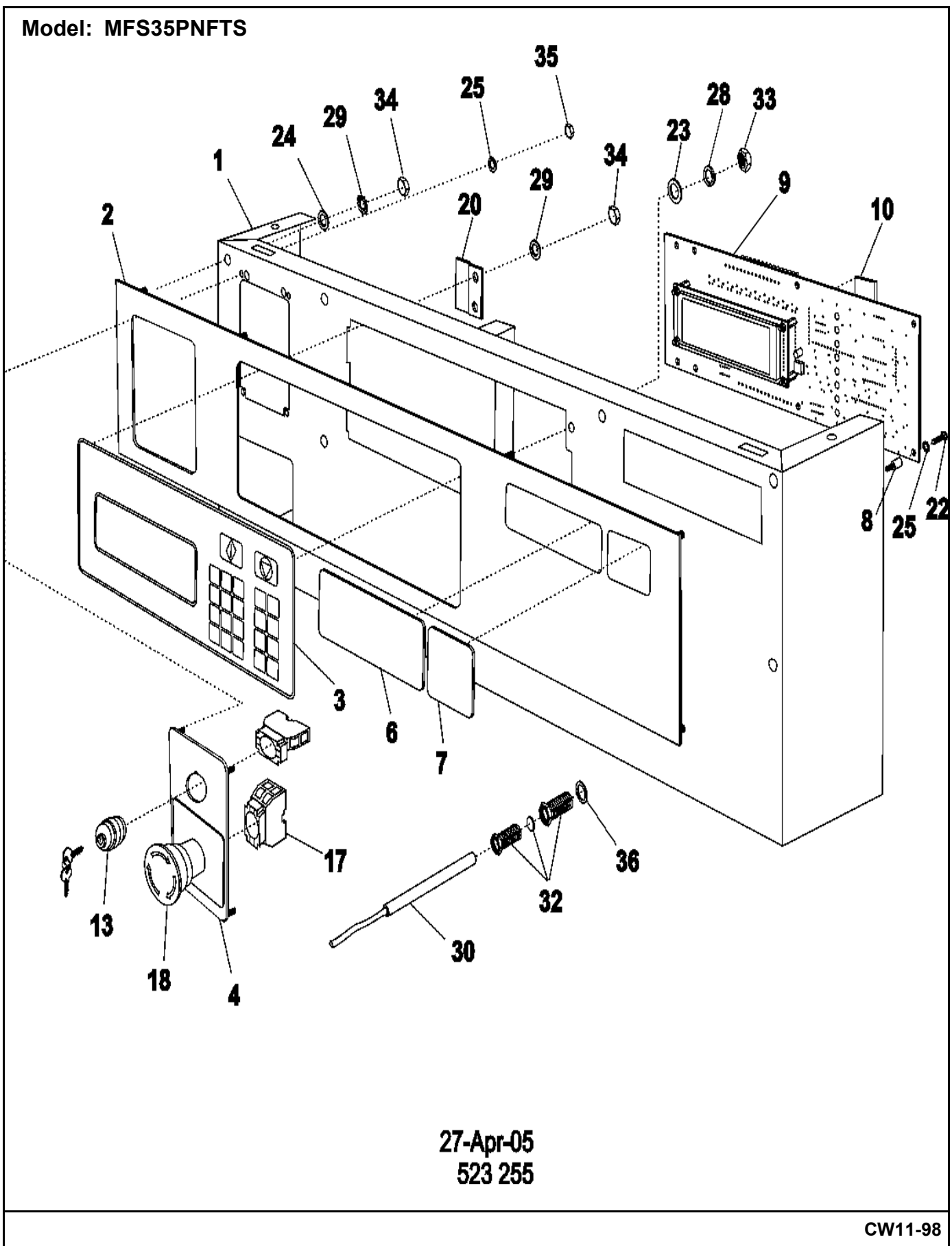


10-Apr-06
606 900A

CW12-58

Section: CONTROL PANEL

Model: MFS35PNFTS

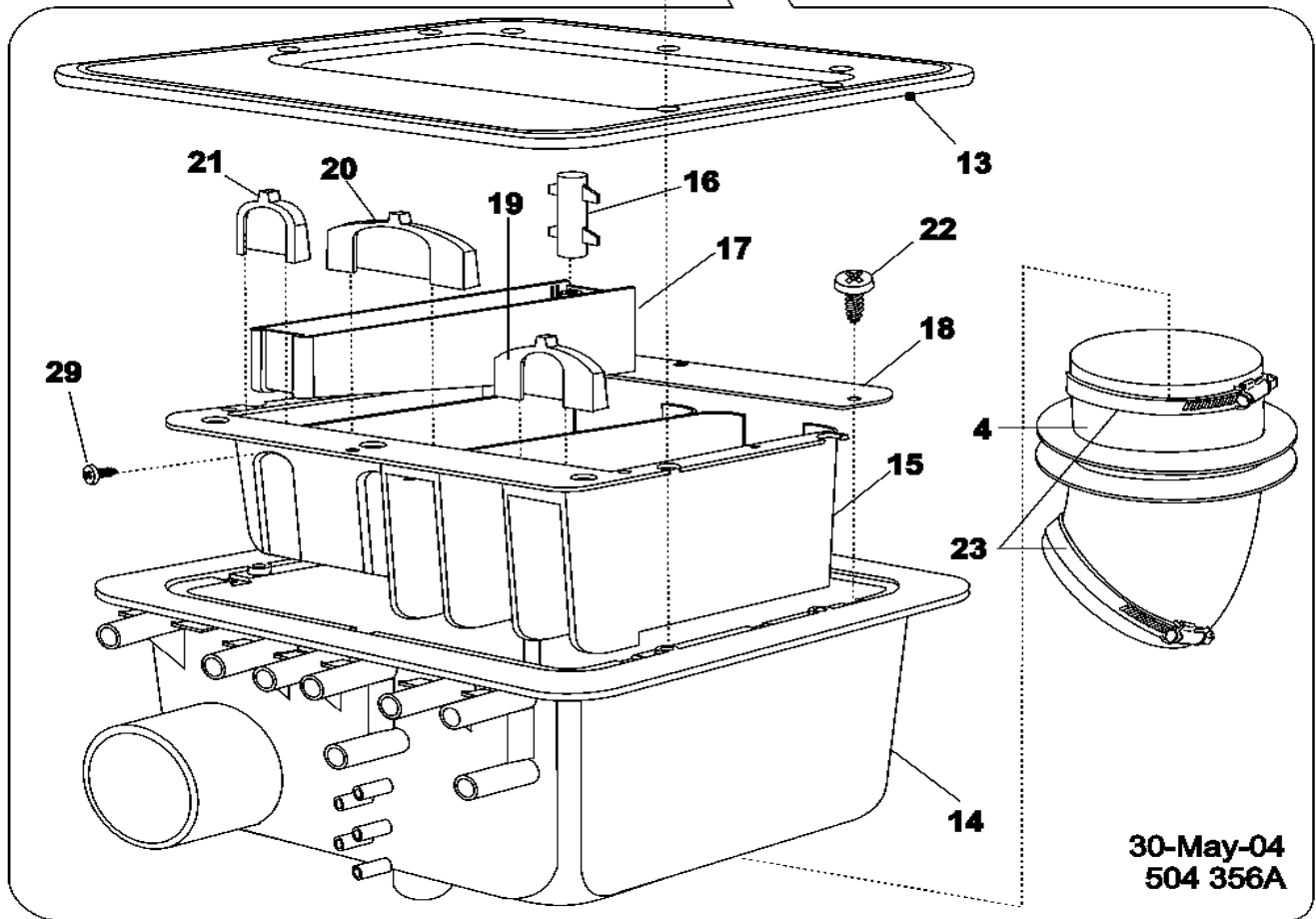
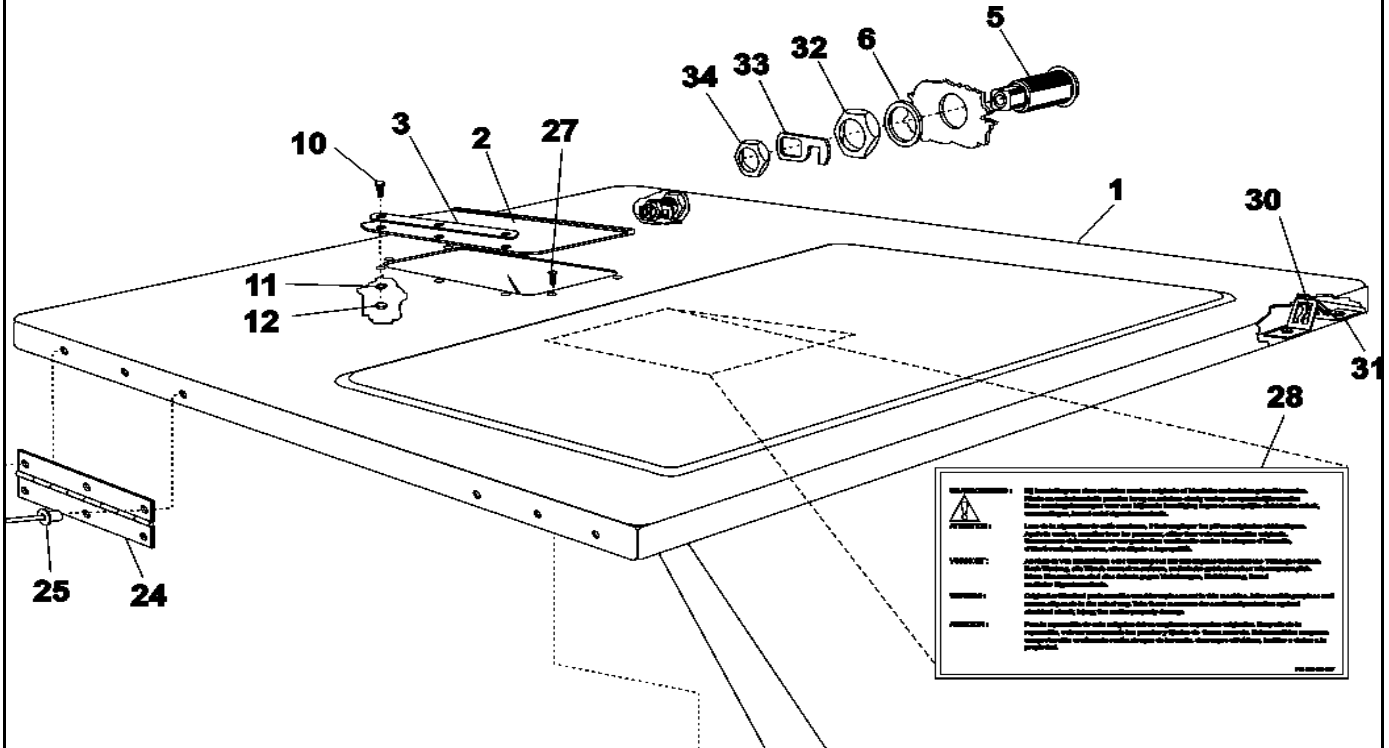


27-Apr-05
523 255

CW11-98

Section: SOAP HOPPER

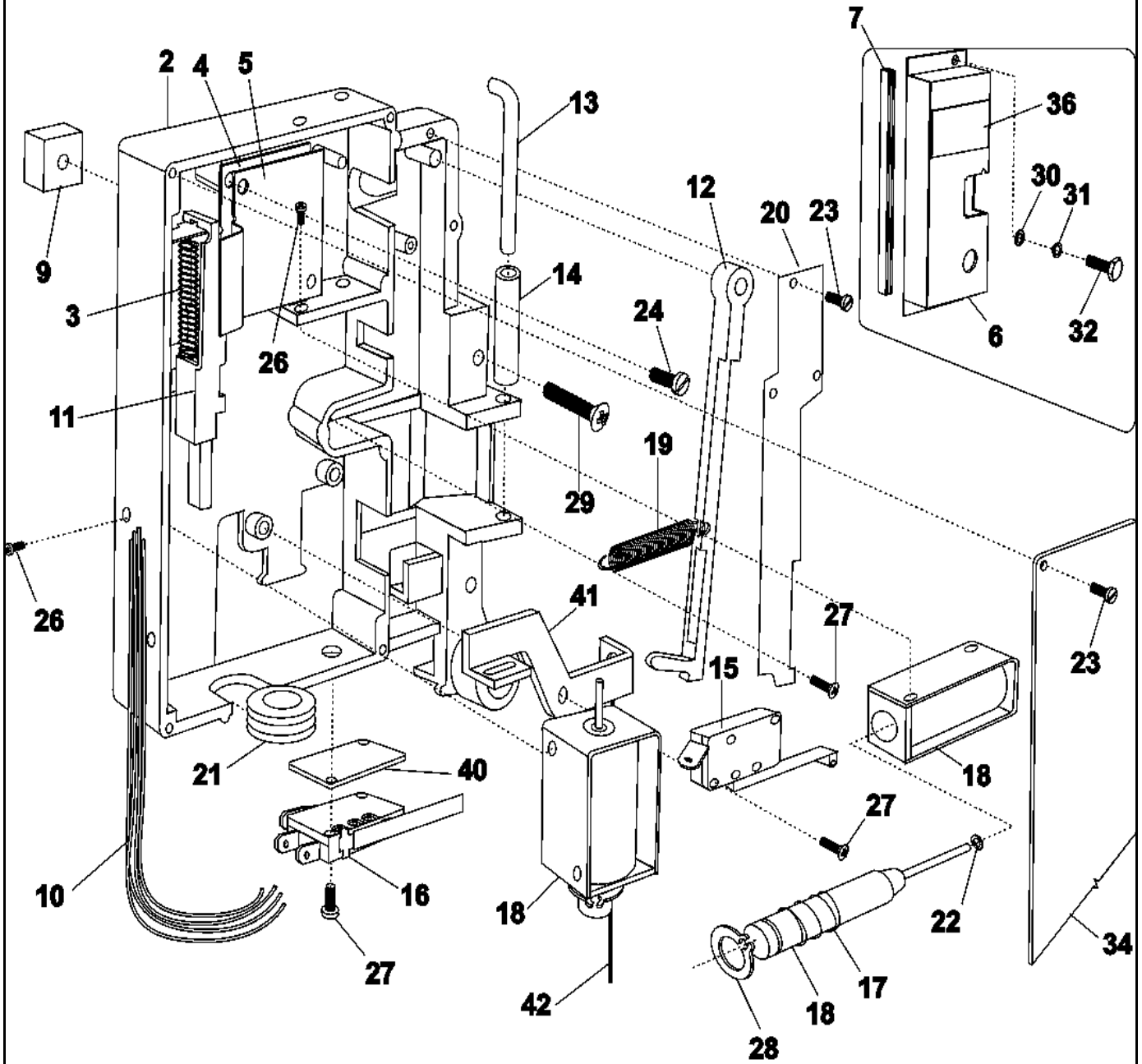
Model: MFS35PNFTS



30-May-04
504 356A

Section: DOOR LOCK

Model: MFS35PNFTS

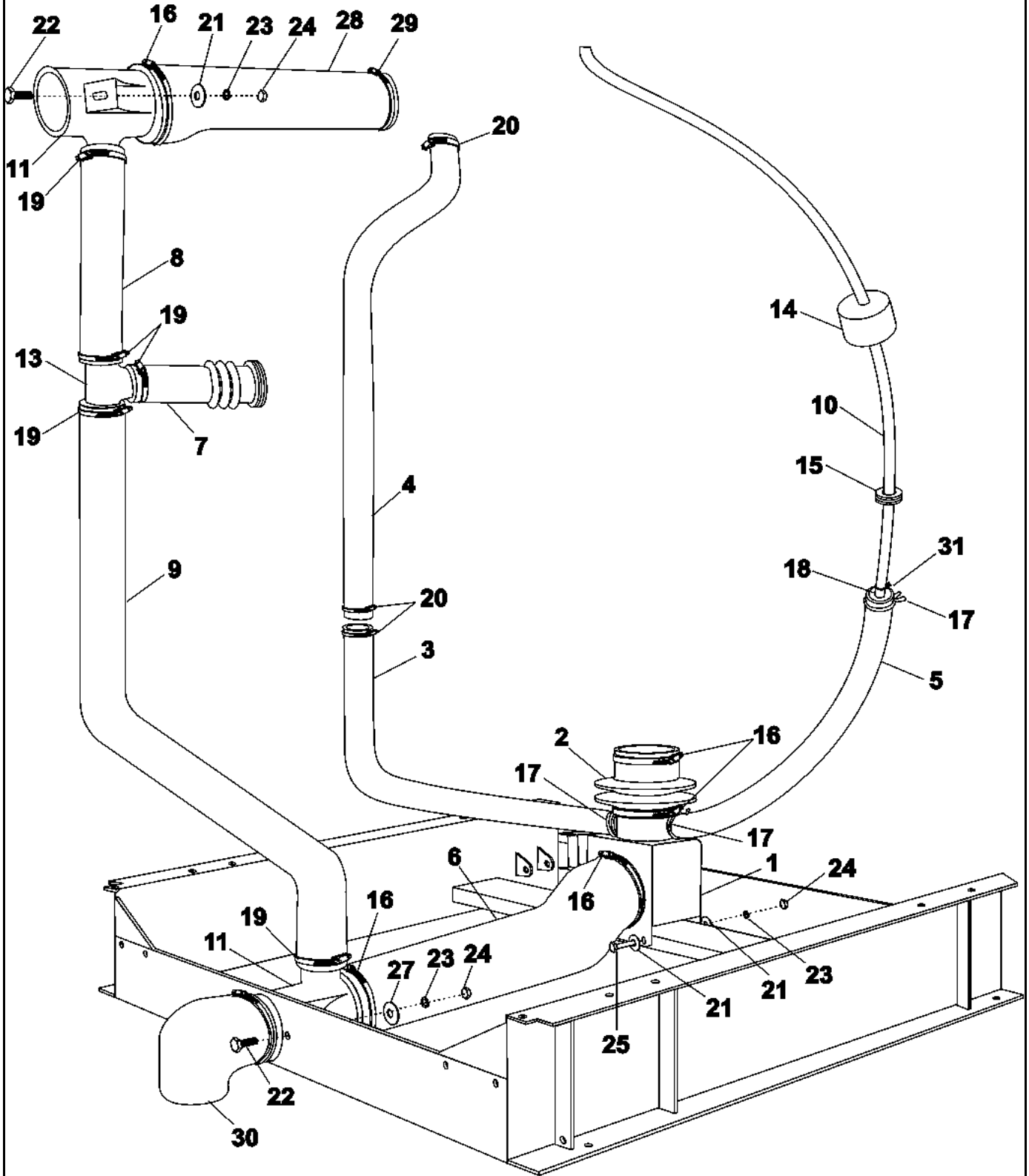


10-Apr-05
508 897B

CW10-82

Section: WATER SYSTEM AND DRAIN VALVE

Model: MFS35PNFTS

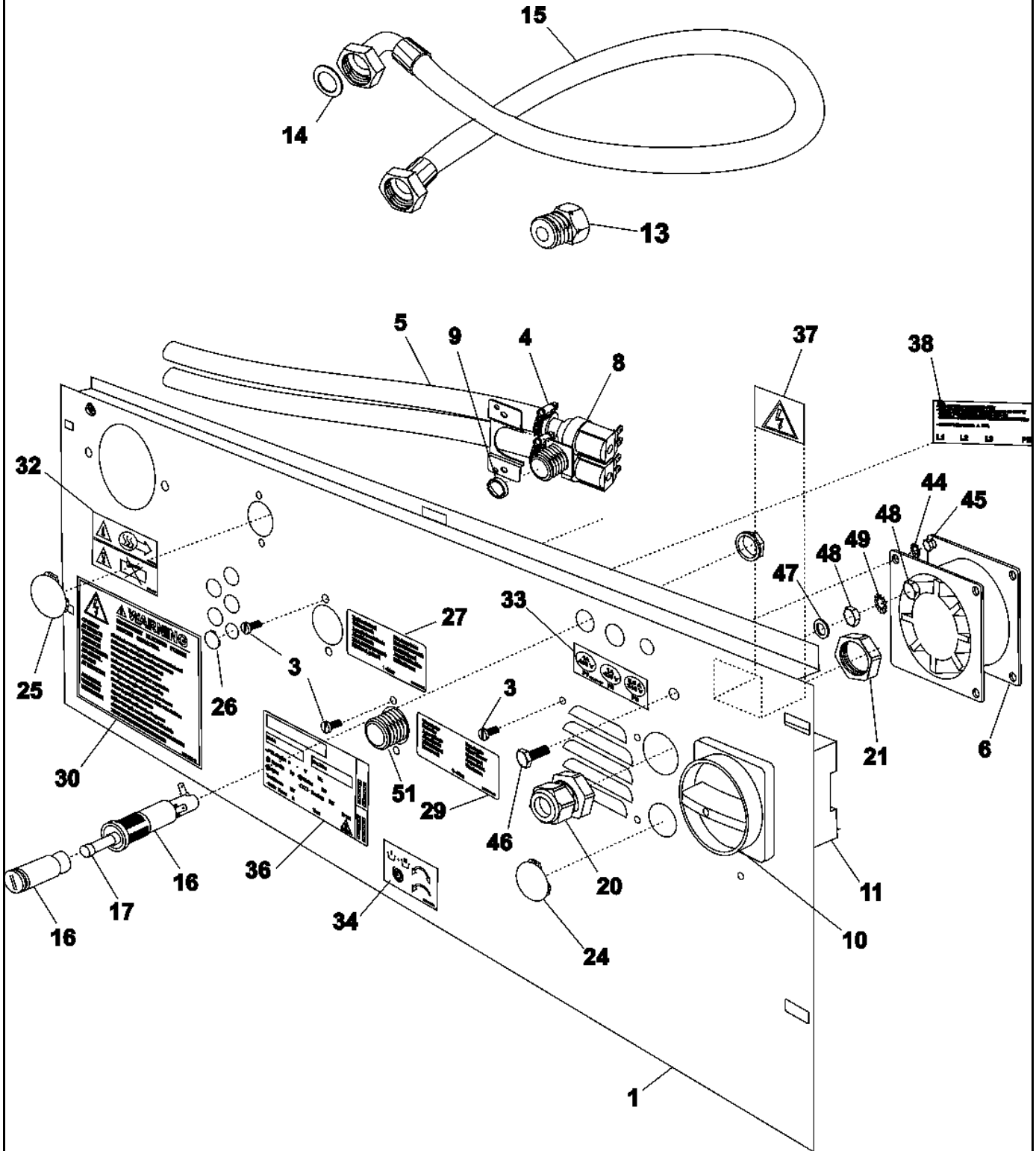


18-Feb-00
504 358

CW21-185

Section: REAR PANEL

Model: MFS35PNFTS

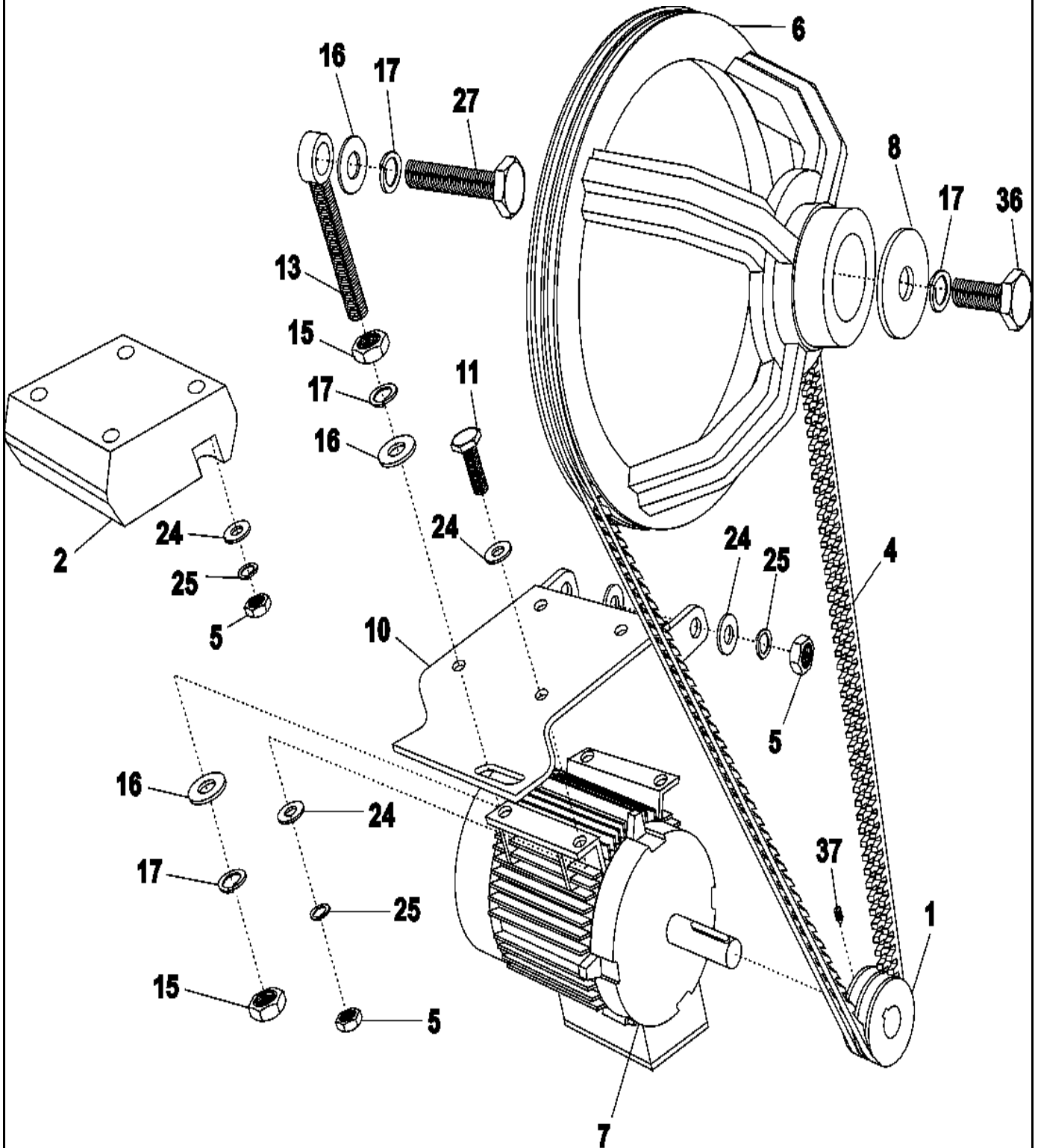


31-Jan-06
504 360B

CW22-08

Section: DRIVE

Model: MFS35PNFTS

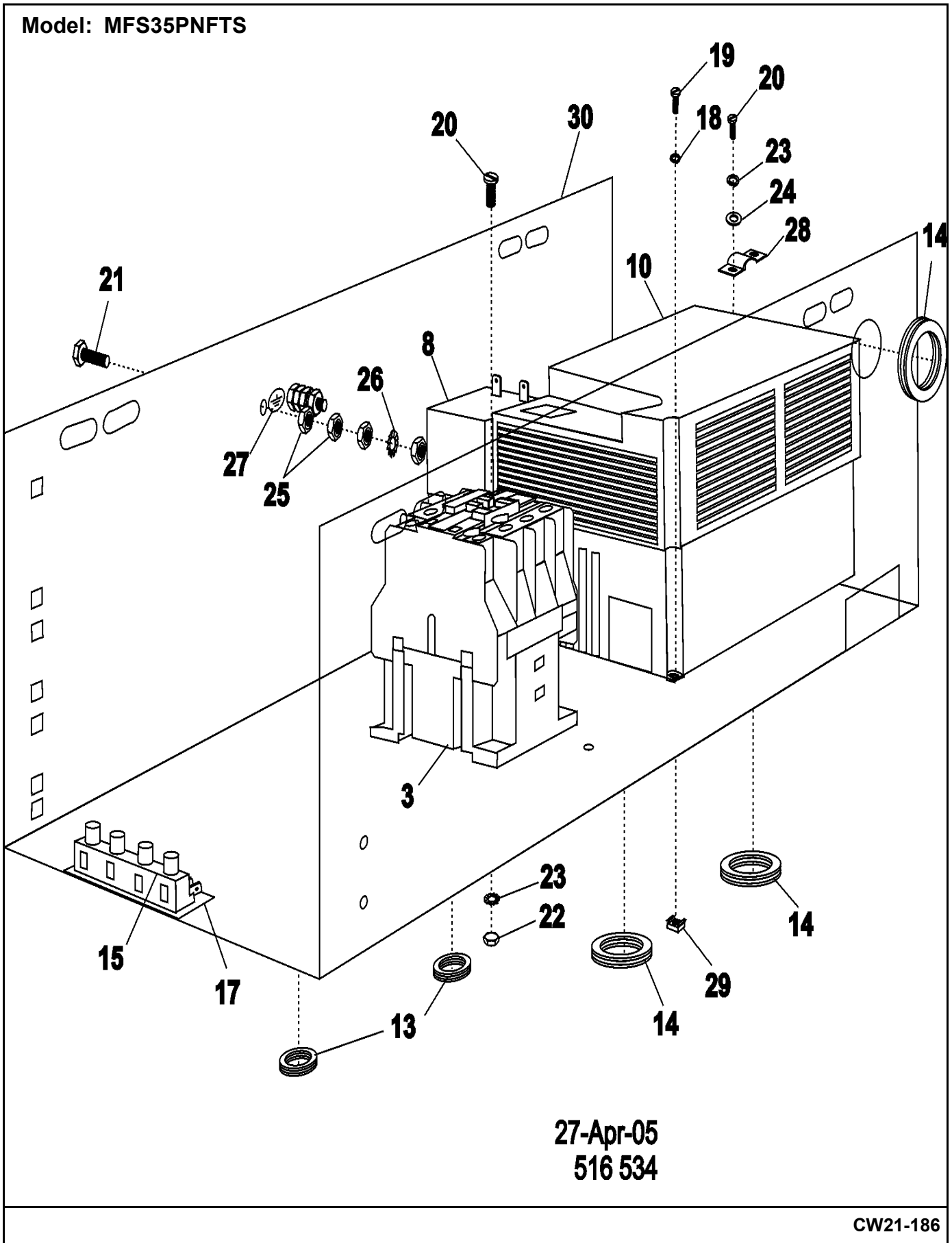


10-Mar-05
504 362A

CW23-14

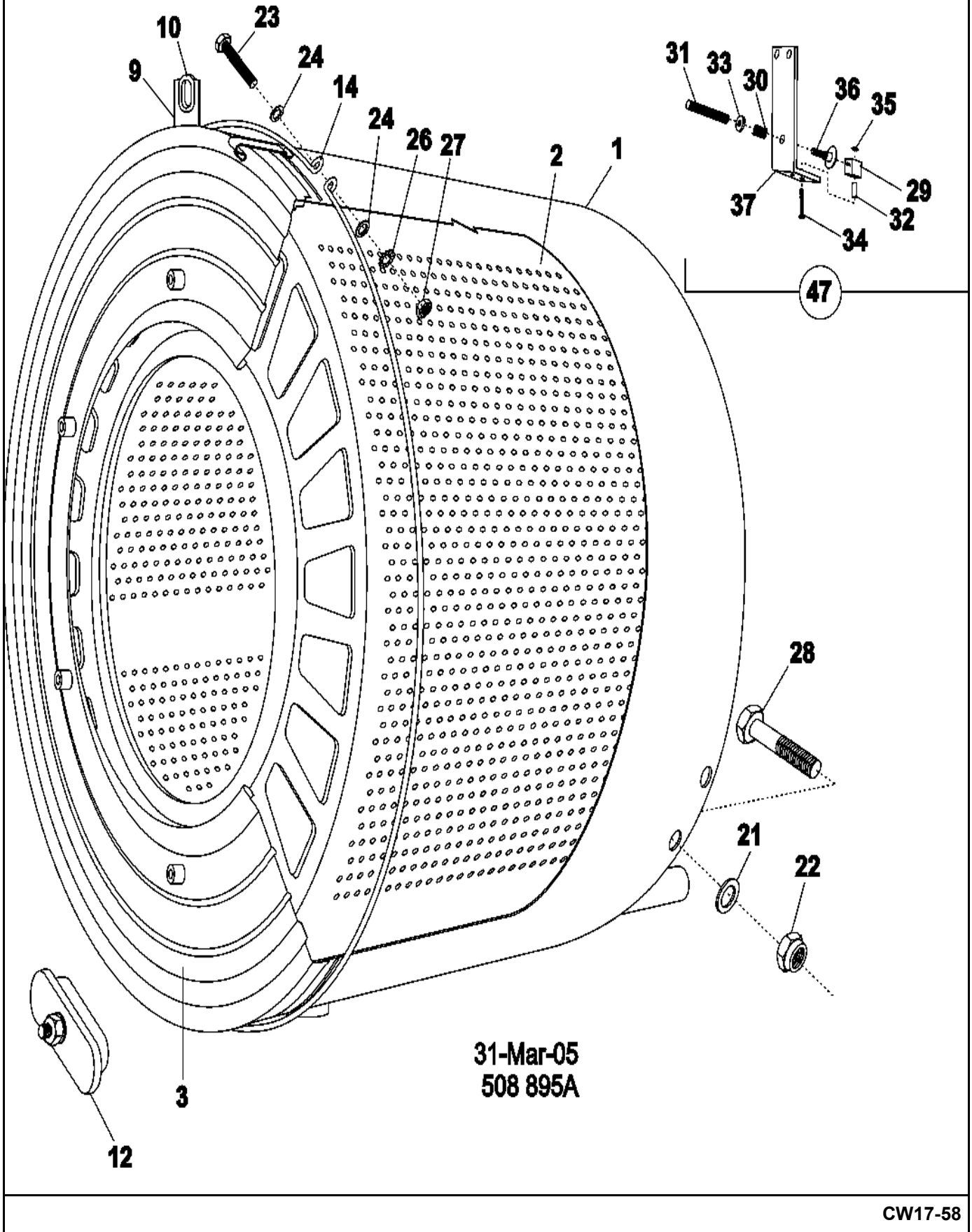
Section: ELECTRICAL

Model: MFS35PNFTS



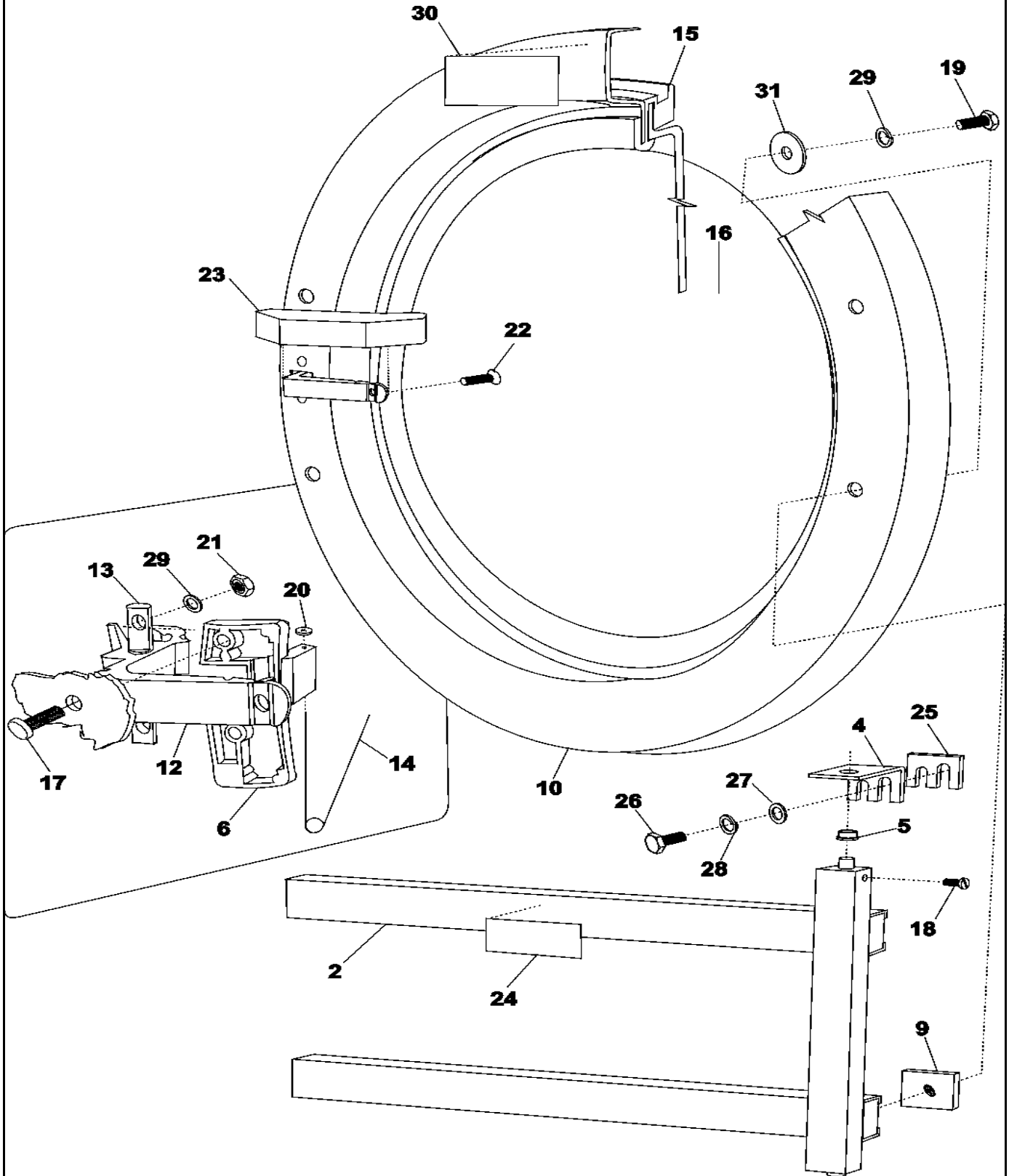
Section: WASH DRUM AND TUB

Model: MFS35PNFTS



Section: DOOR

Model: MFS35PNFTS

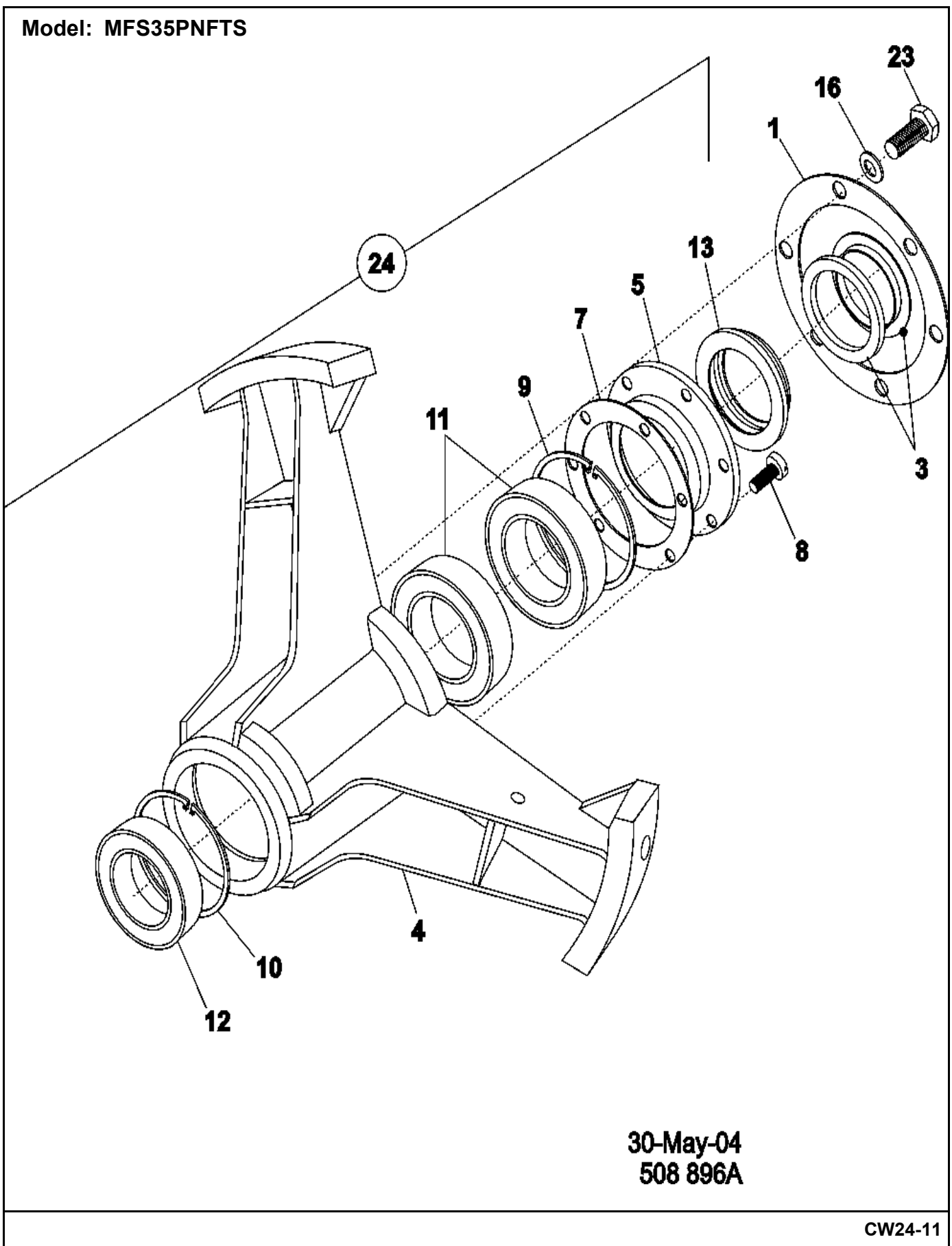


07-Oct-04
507 447A

CW10-81

Section: TRUNNION

Model: MFS35PNFTS



30-May-04
508 896A

CW24-11