

PARTS LIST

for

MAYTAG[®]

**COMMERCIAL
AUTOMATIC WASHER**

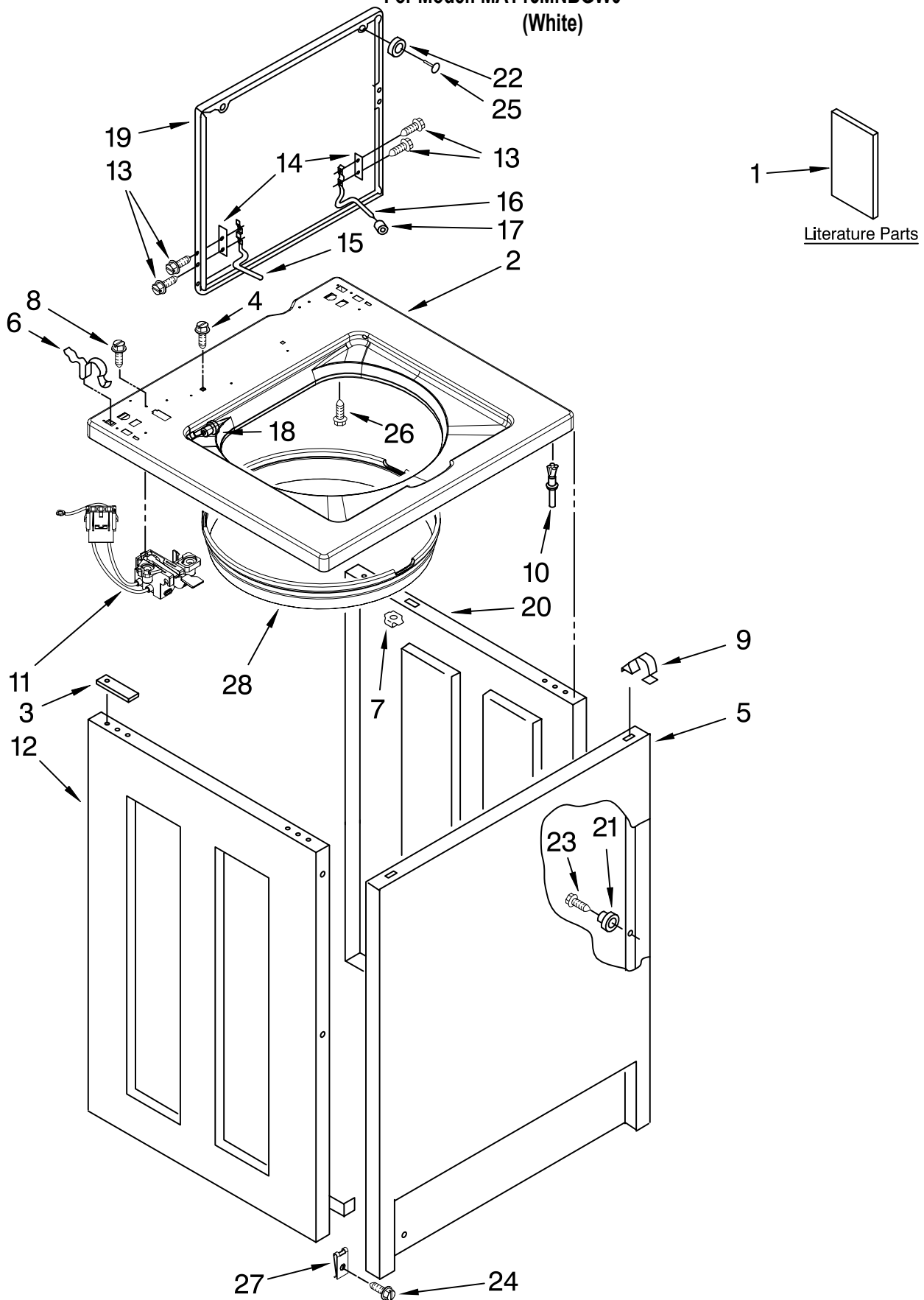
MODEL NO.

MAT15MNBGW0

TOP AND CABINET PARTS

For Model: MAT15MNBGW0

(White)

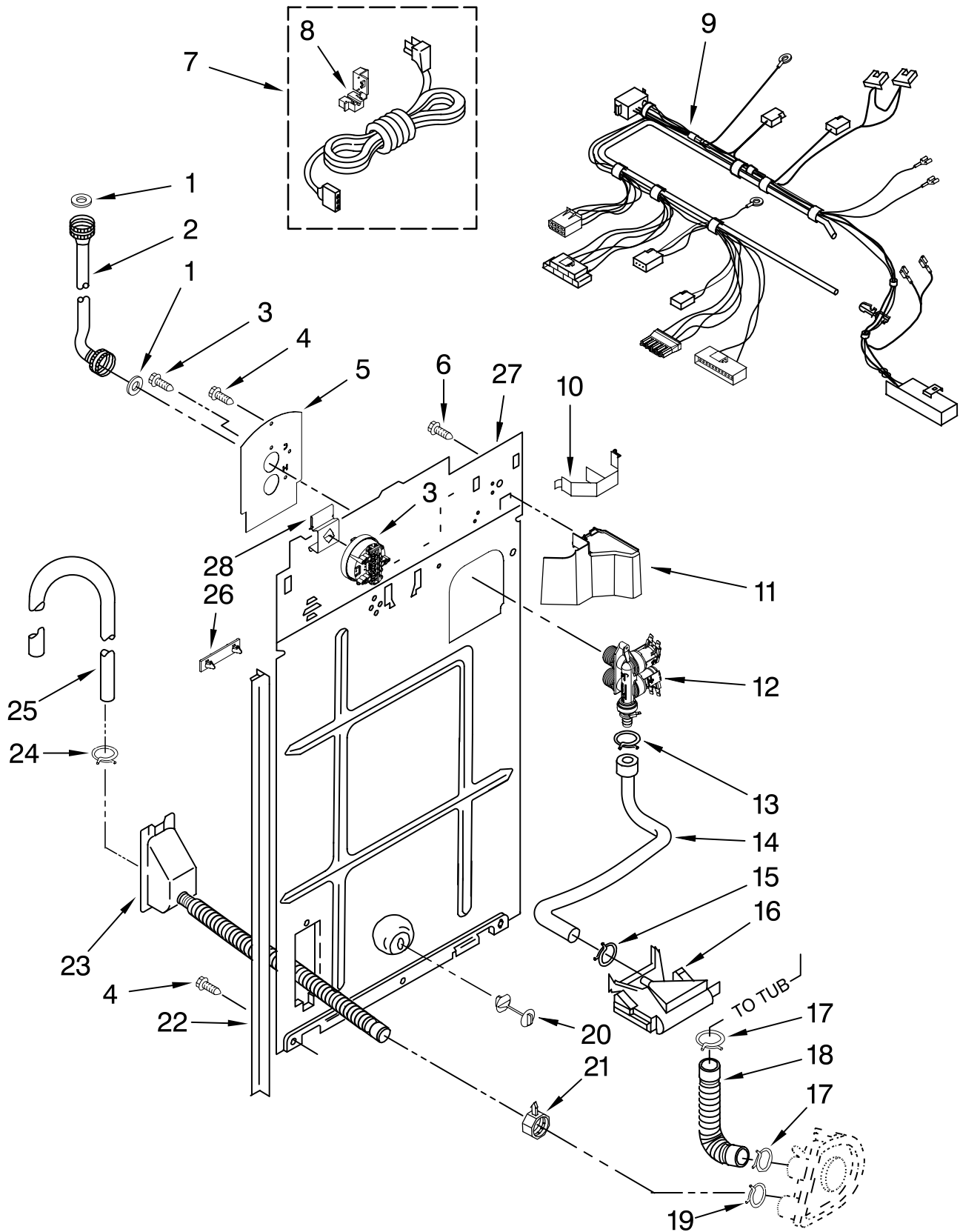


FOR ORDERING INFORMATION REFER TO PARTS PRICE LIST

REAR PANEL PARTS

For Model: MAT15MNBGW0

(White)

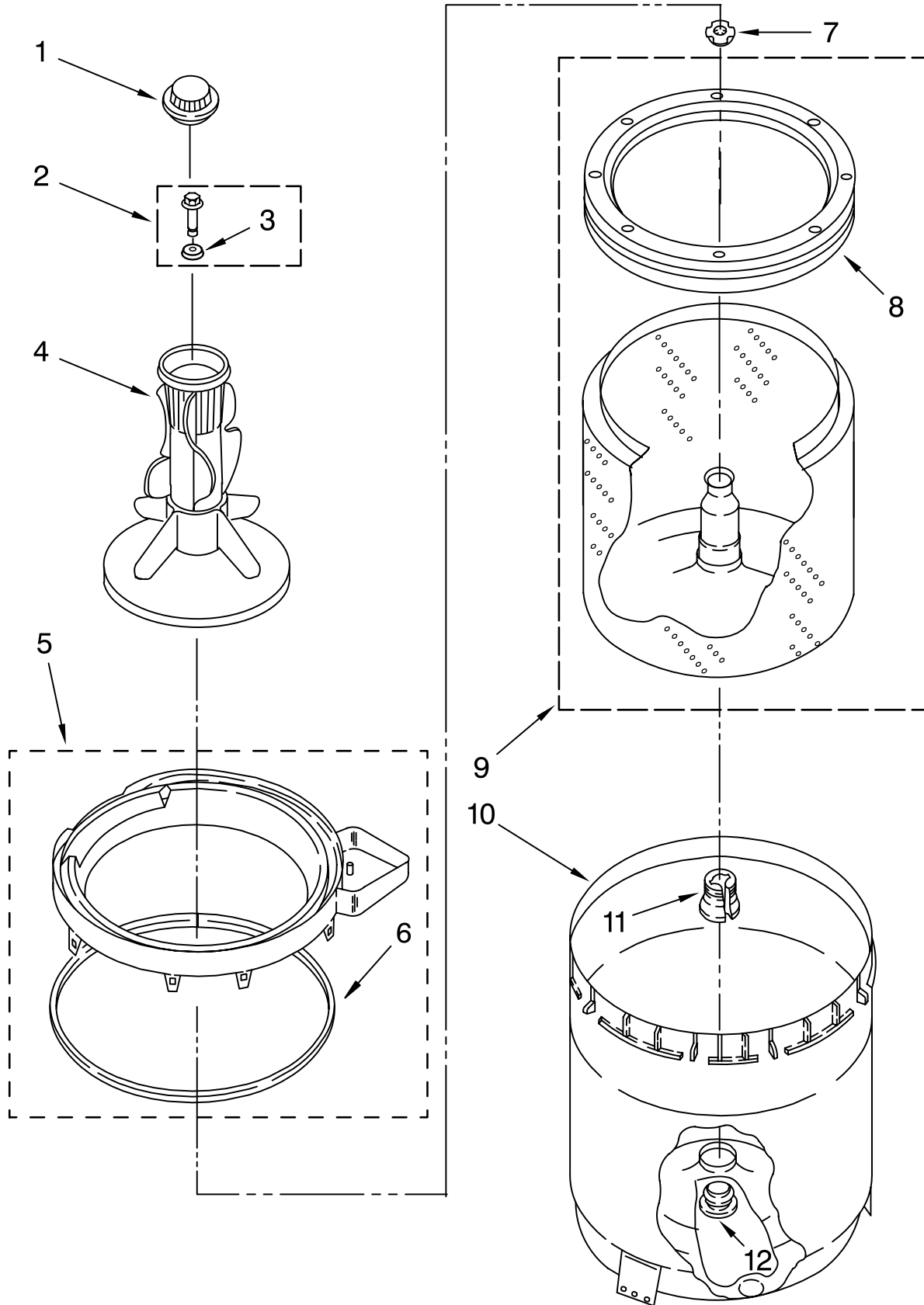


FOR ORDERING INFORMATION REFER TO PARTS PRICE LIST

AGITATOR, BASKET AND TUB PARTS

For Model: MAT15MNBGW0

(White)

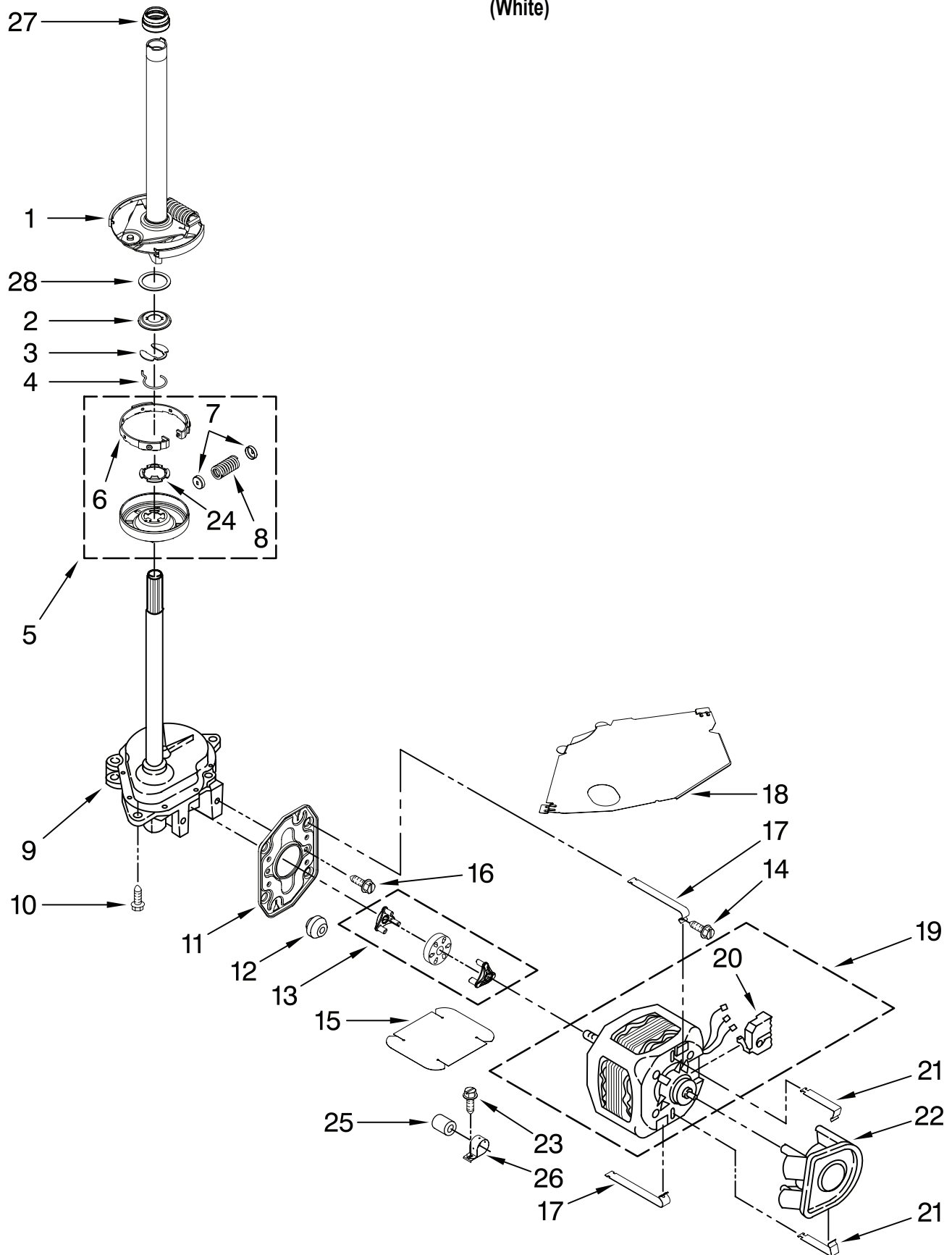


FOR ORDERING INFORMATION REFER TO PARTS PRICE LIST

BRAKE, CLUTCH, GEARCASE, MOTOR AND PUMP PARTS

For Model: MAT15MNBGW0

(White)

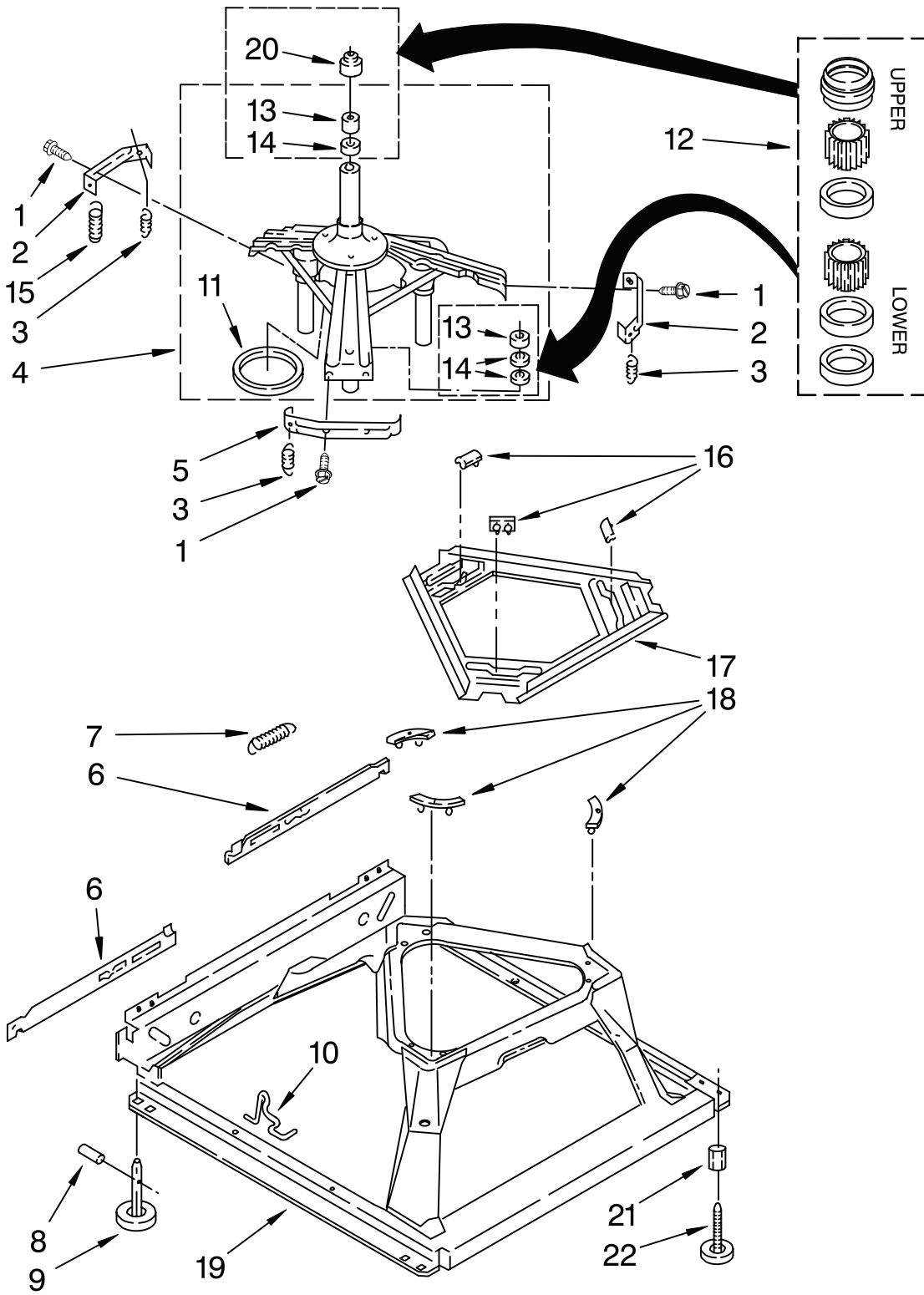


FOR ORDERING INFORMATION REFER TO PARTS PRICE LIST

MACHINE BASE PARTS

For Model: MAT15MNBGW0

(White)

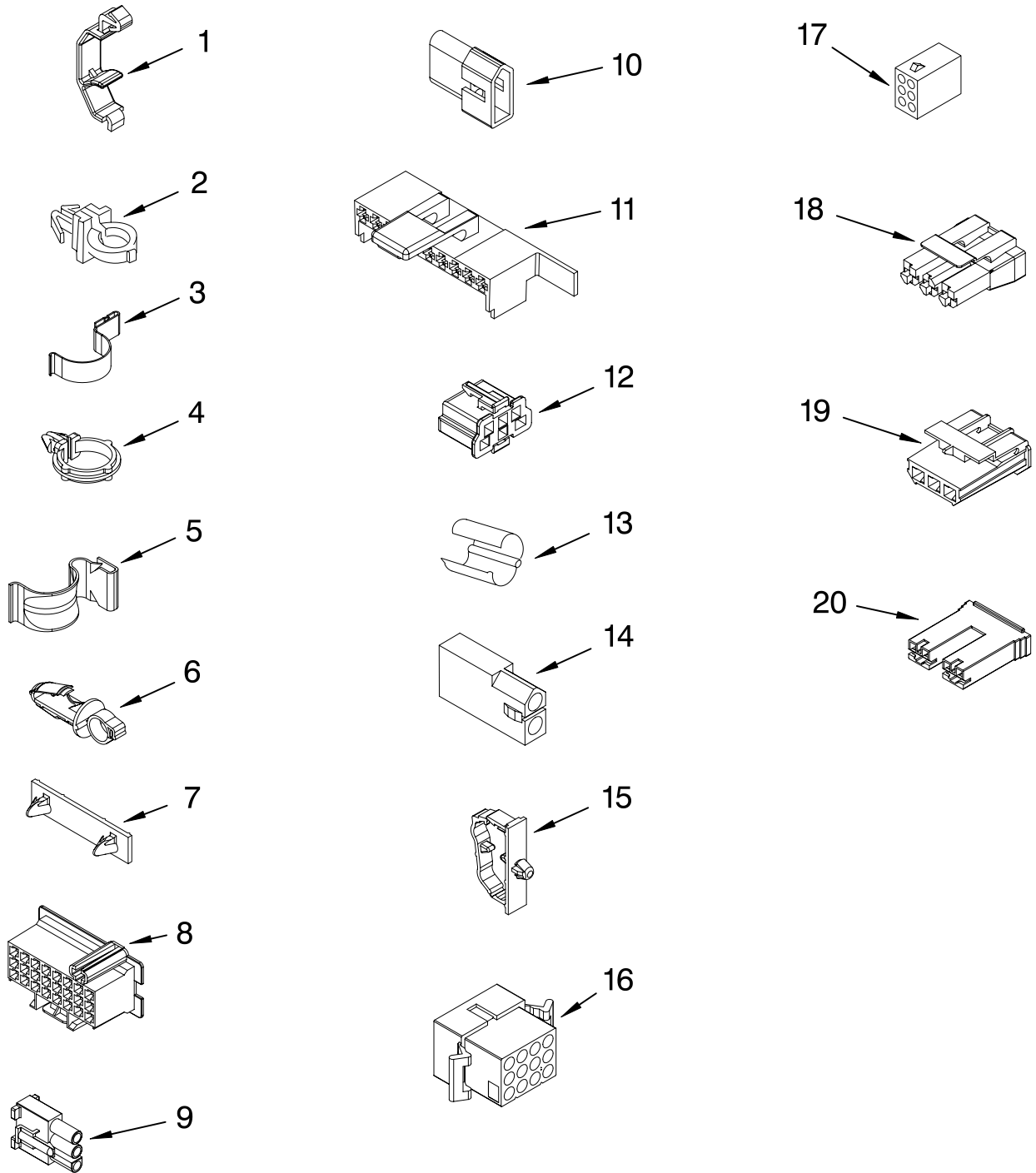


FOR ORDERING INFORMATION REFER TO PARTS PRICE LIST

WIRING HARNESS PARTS

For Model: MAT15MNBGW0

(White)

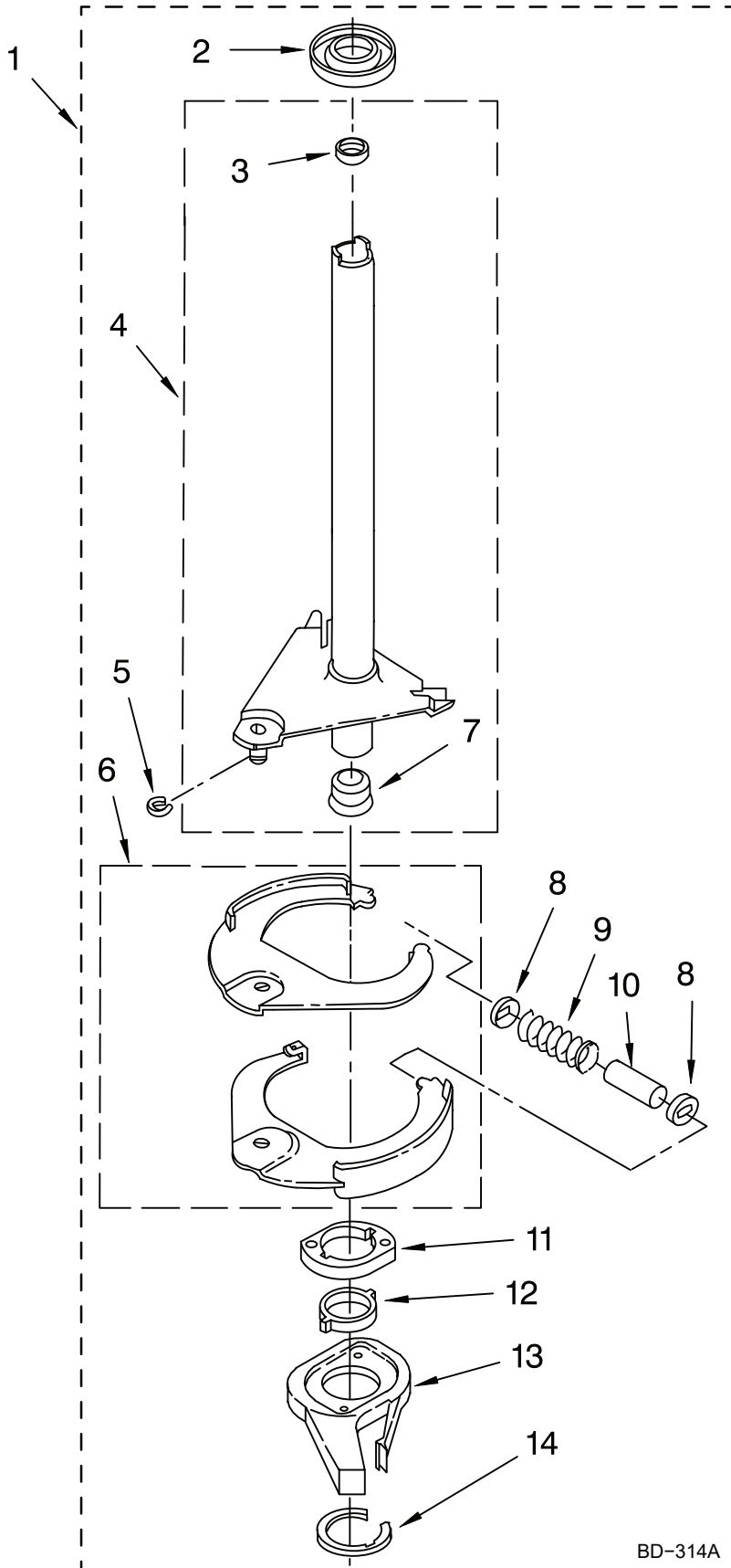


WH2J

BRAKE AND DRIVE TUBE PARTS

For Model: MAT15MNBGW0

(White)



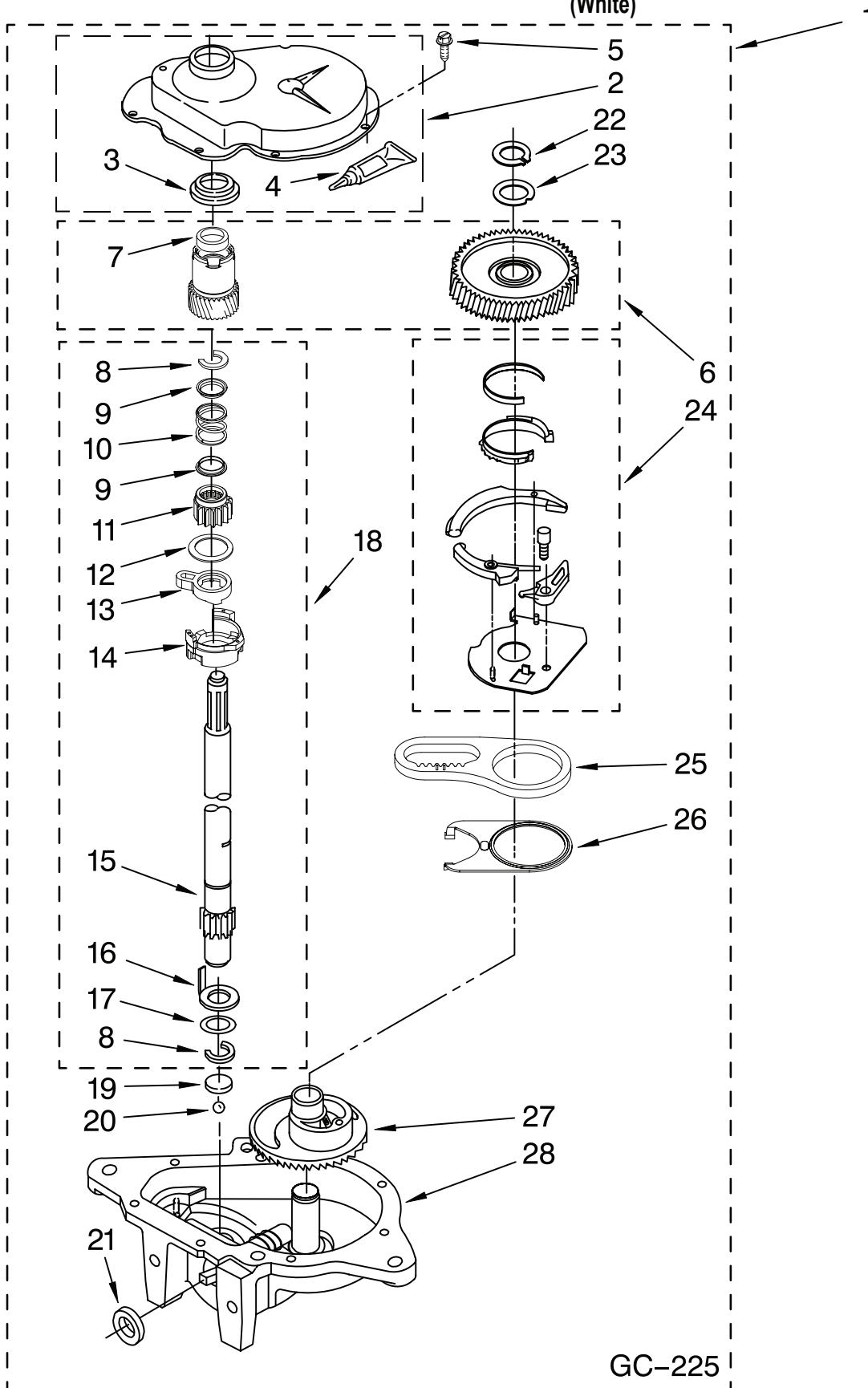
BD-314A

FOR ORDERING INFORMATION REFER TO PARTS PRICE LIST

GEARCASE PARTS

For Model: MAT15MNBGW0

(White)



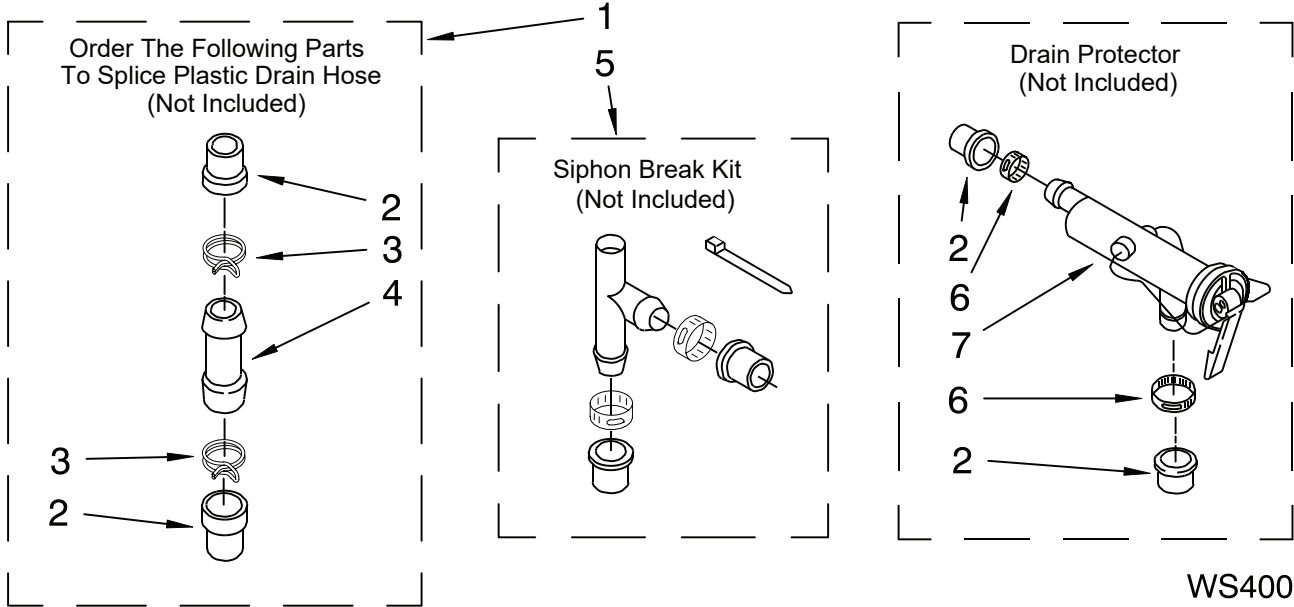
GC-225

FOR ORDERING INFORMATION REFER TO PARTS PRICE LIST

WATER SYSTEM PARTS

For Model: MAT15MNBGW0

(White)



FOR ORDERING INFORMATION REFER TO PARTS PRICE LIST