

PARTS LIST

for

**MAYTAG<sup>®</sup>**

**COMMERCIAL  
AUTOMATIC WASHER**

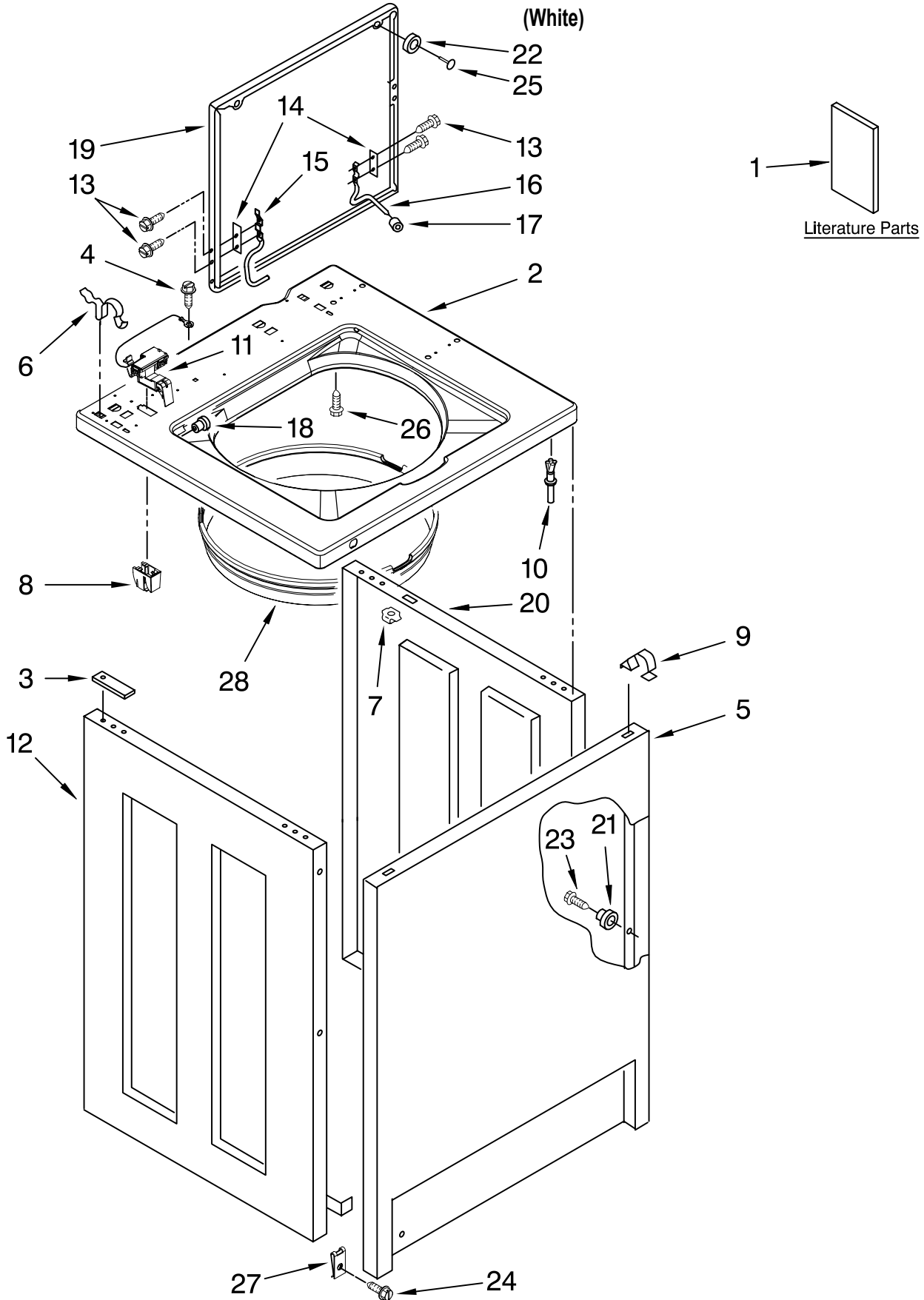
**MODEL NO.**

**MAT14CSBGW0**

# TOP AND CABINET PARTS

For Model: MAT14CSBGW0

(White)

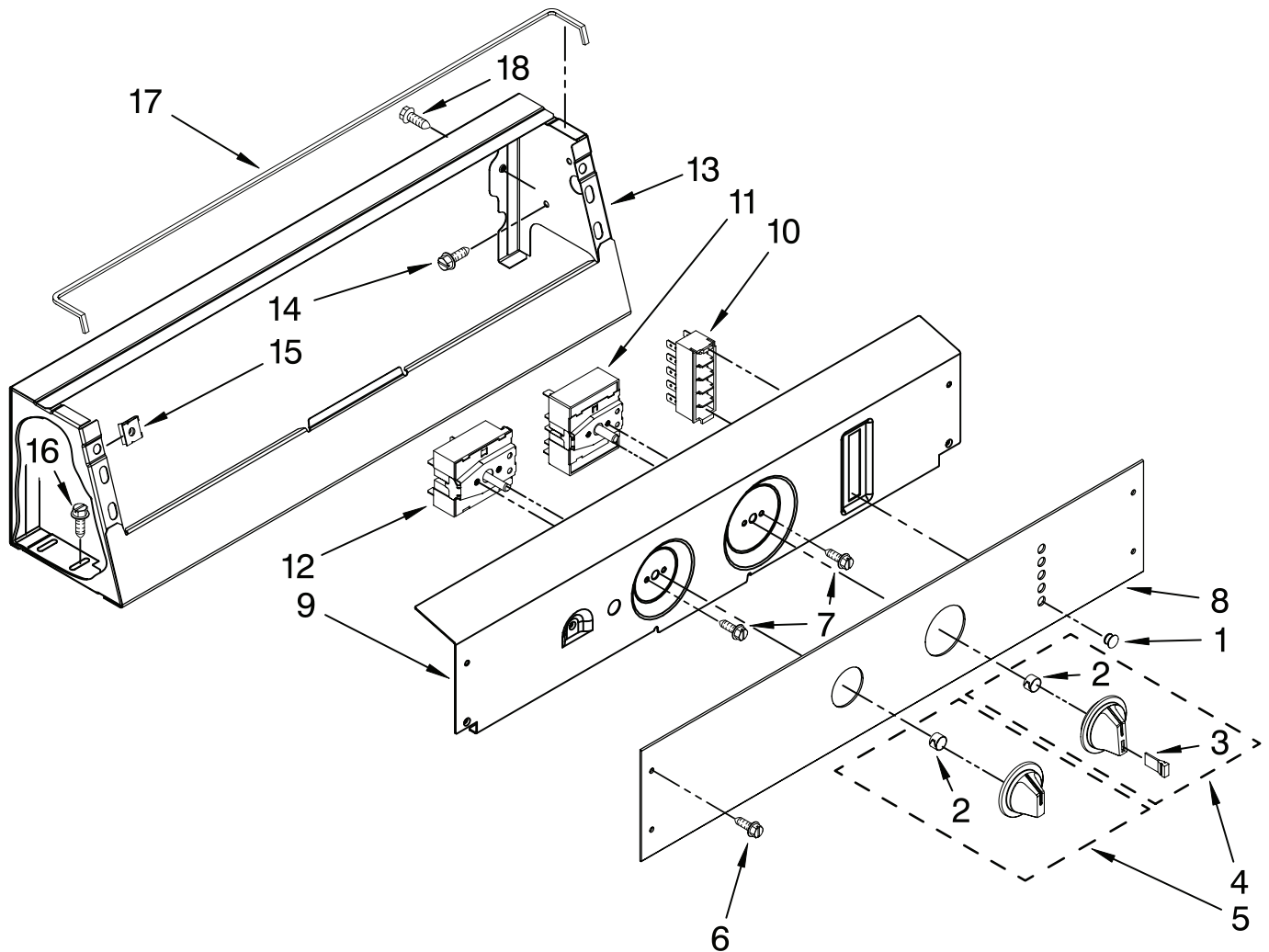


FOR ORDERING INFORMATION REFER TO PARTS PRICE LIST

# CONTROL PANEL PARTS

For Model: MAT14CSBGW0

(White)

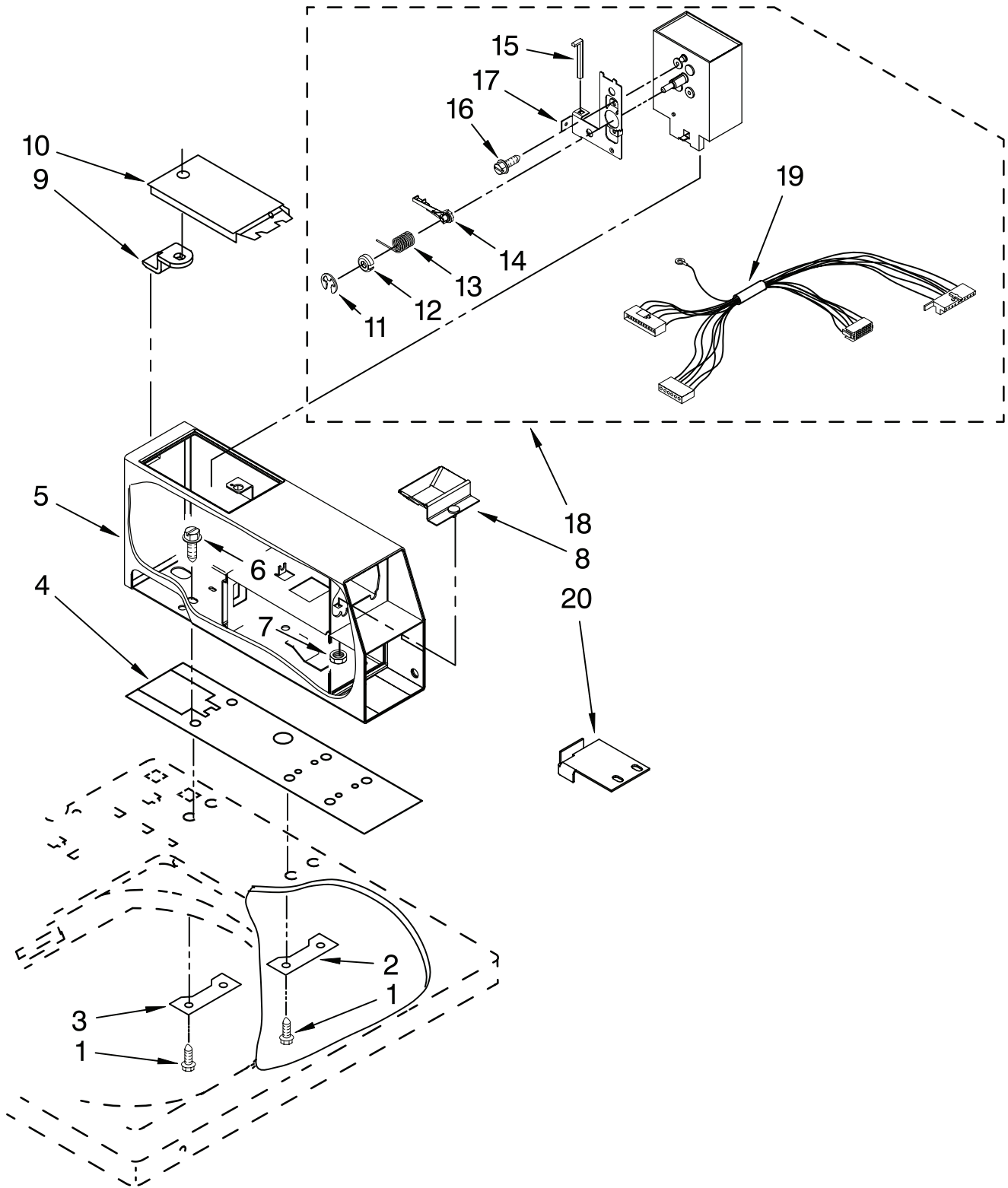


FOR ORDERING INFORMATION REFER TO PARTS PRICE LIST

# METER CASE PARTS

For Model: MAT14CSBGW0

(White)

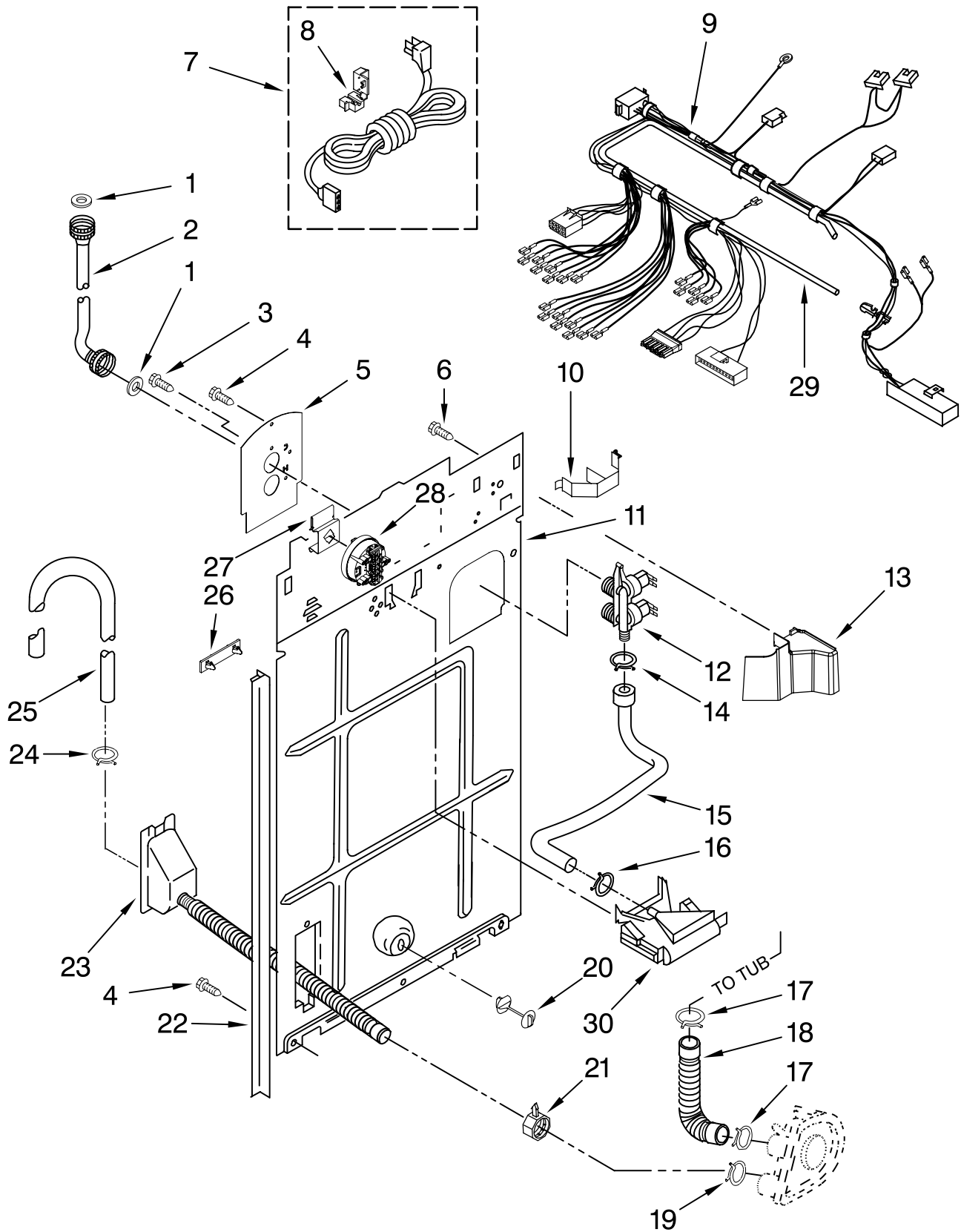


FOR ORDERING INFORMATION REFER TO PARTS PRICE LIST

# REAR PANEL PARTS

For Model: MAT14CSBGW0

(White)

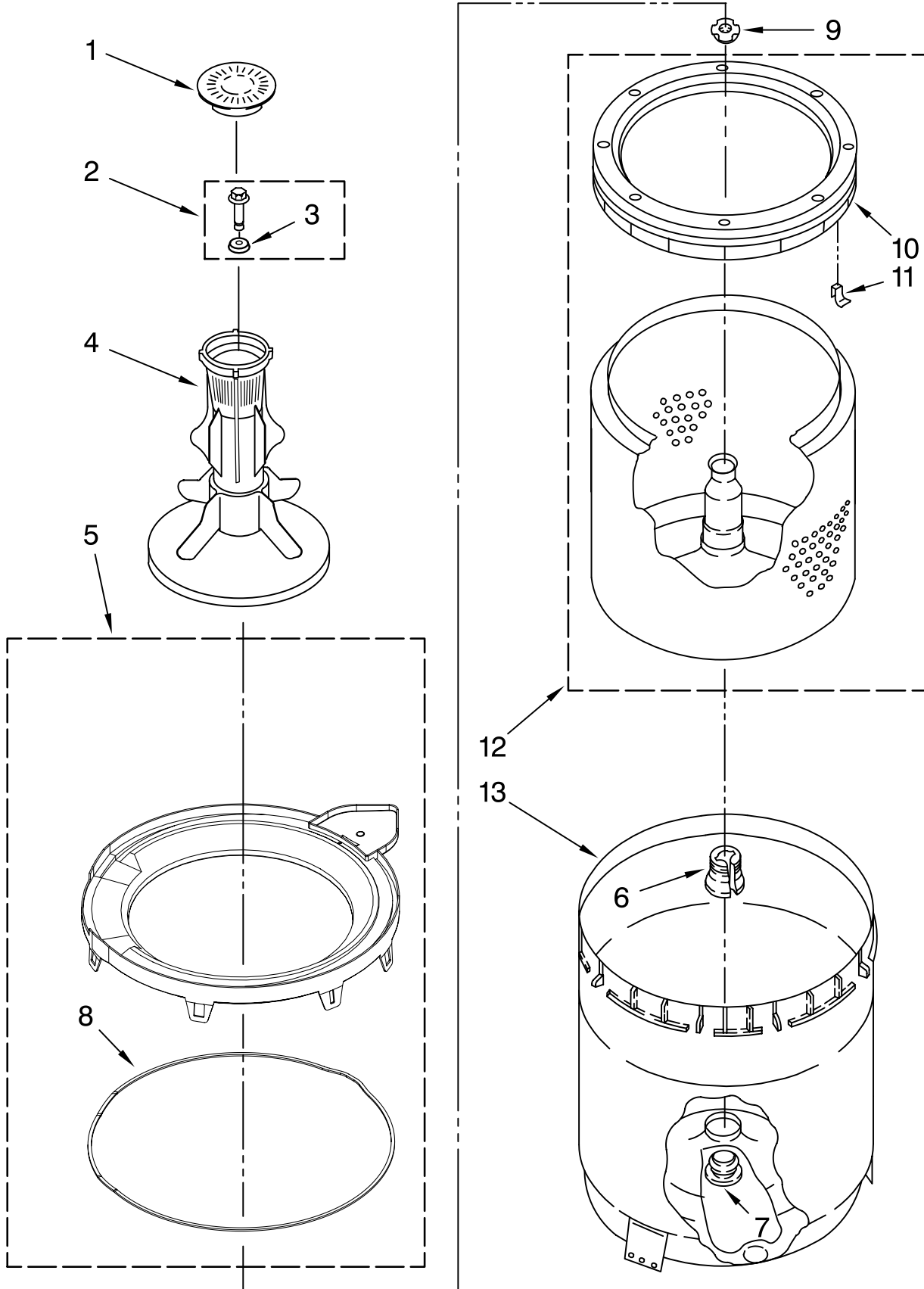


FOR ORDERING INFORMATION REFER TO PARTS PRICE LIST

# AGITATOR, BASKET AND TUB PARTS

For Model: MAT14CSBGW0

(White)

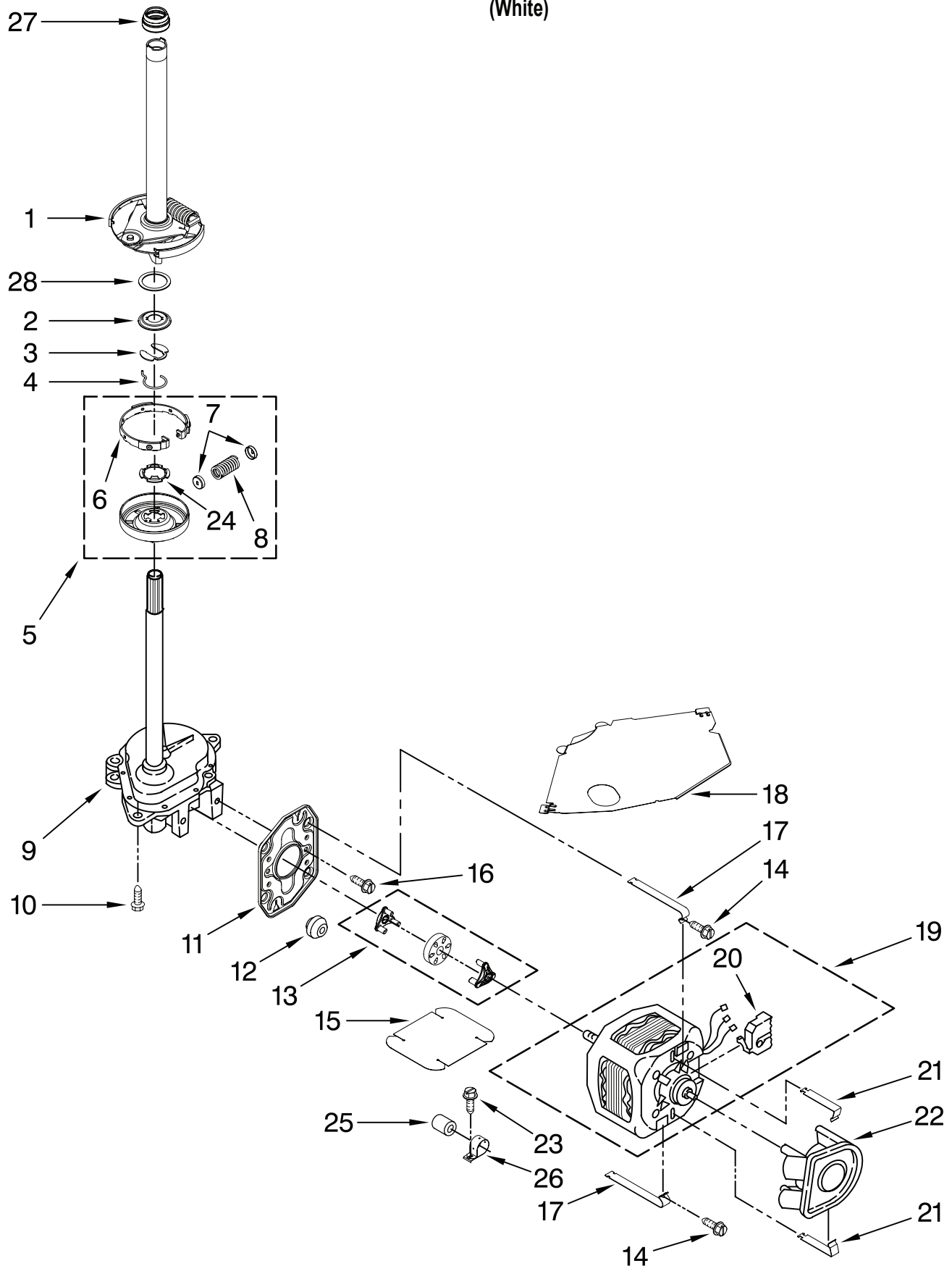


FOR ORDERING INFORMATION REFER TO PARTS PRICE LIST

# BRAKE, CLUTCH, GEARCASE, MOTOR AND PUMP PARTS

For Model: MAT14CSBGW0

(White)

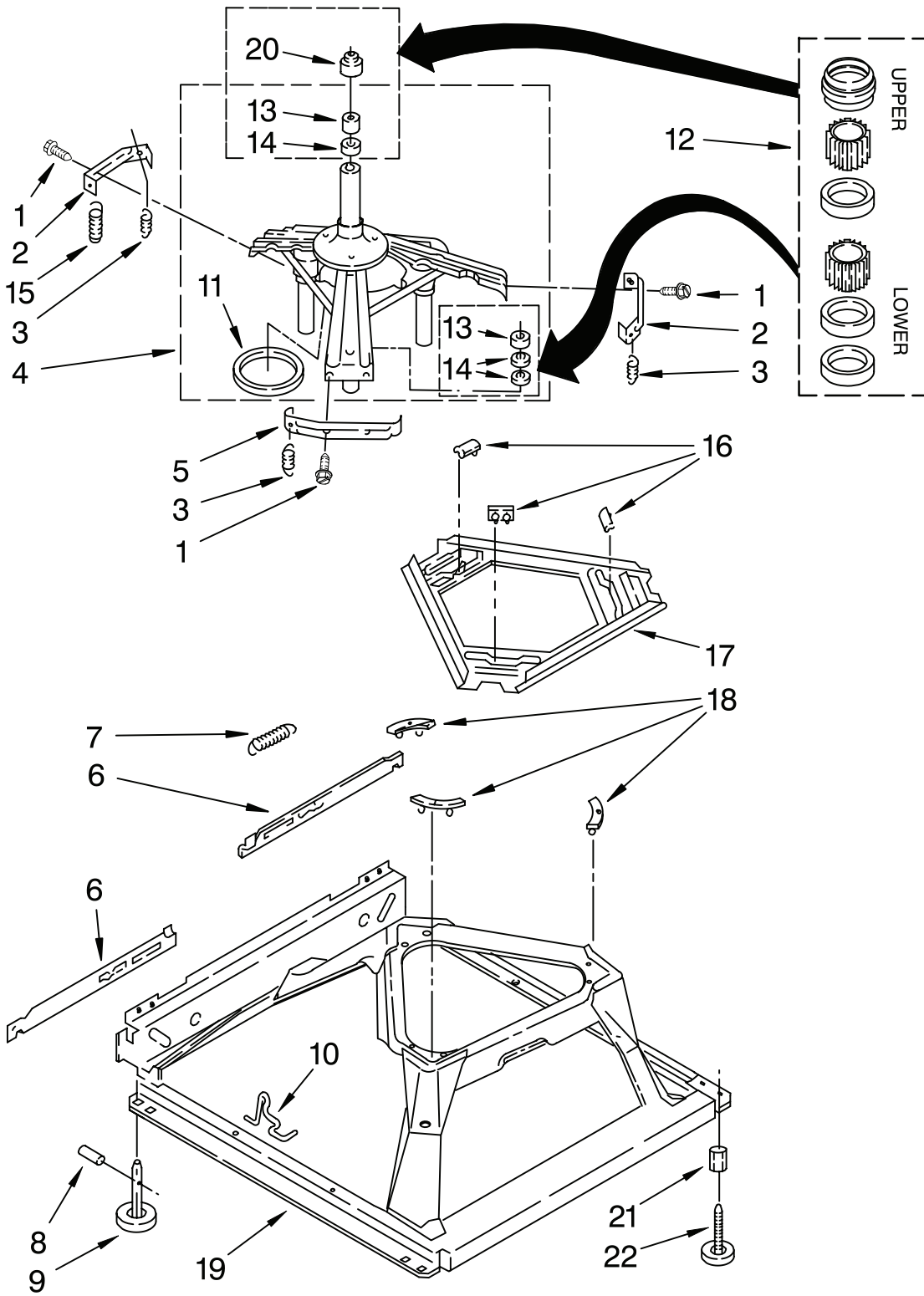


FOR ORDERING INFORMATION REFER TO PARTS PRICE LIST

# MACHINE BASE PARTS

For Model: MAT14CSBGW0

(White)



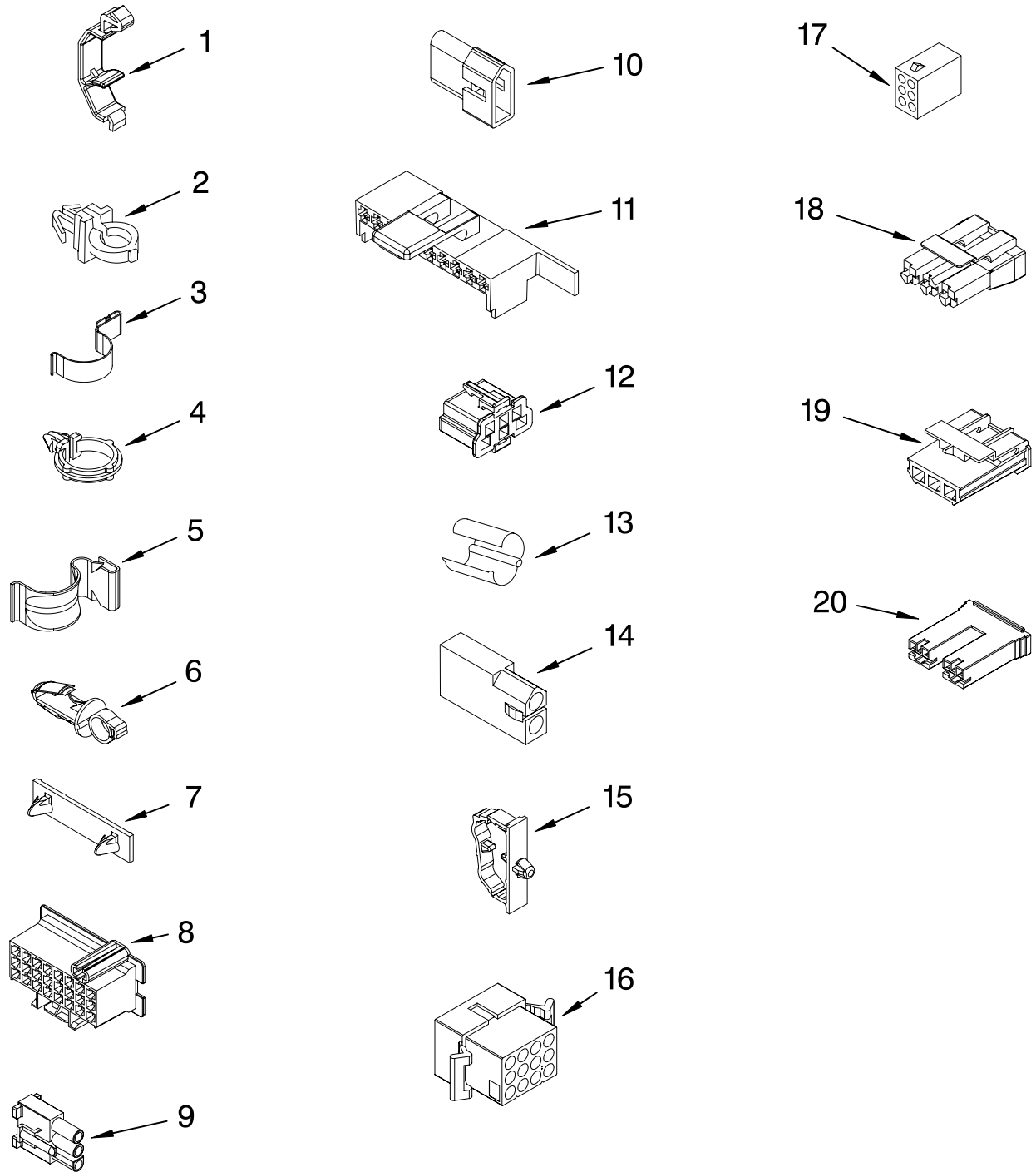
FOR ORDERING INFORMATION REFER TO PARTS PRICE LIST



# WIRING HARNESS PARTS

For Model: MAT14CSBGW0

(White)



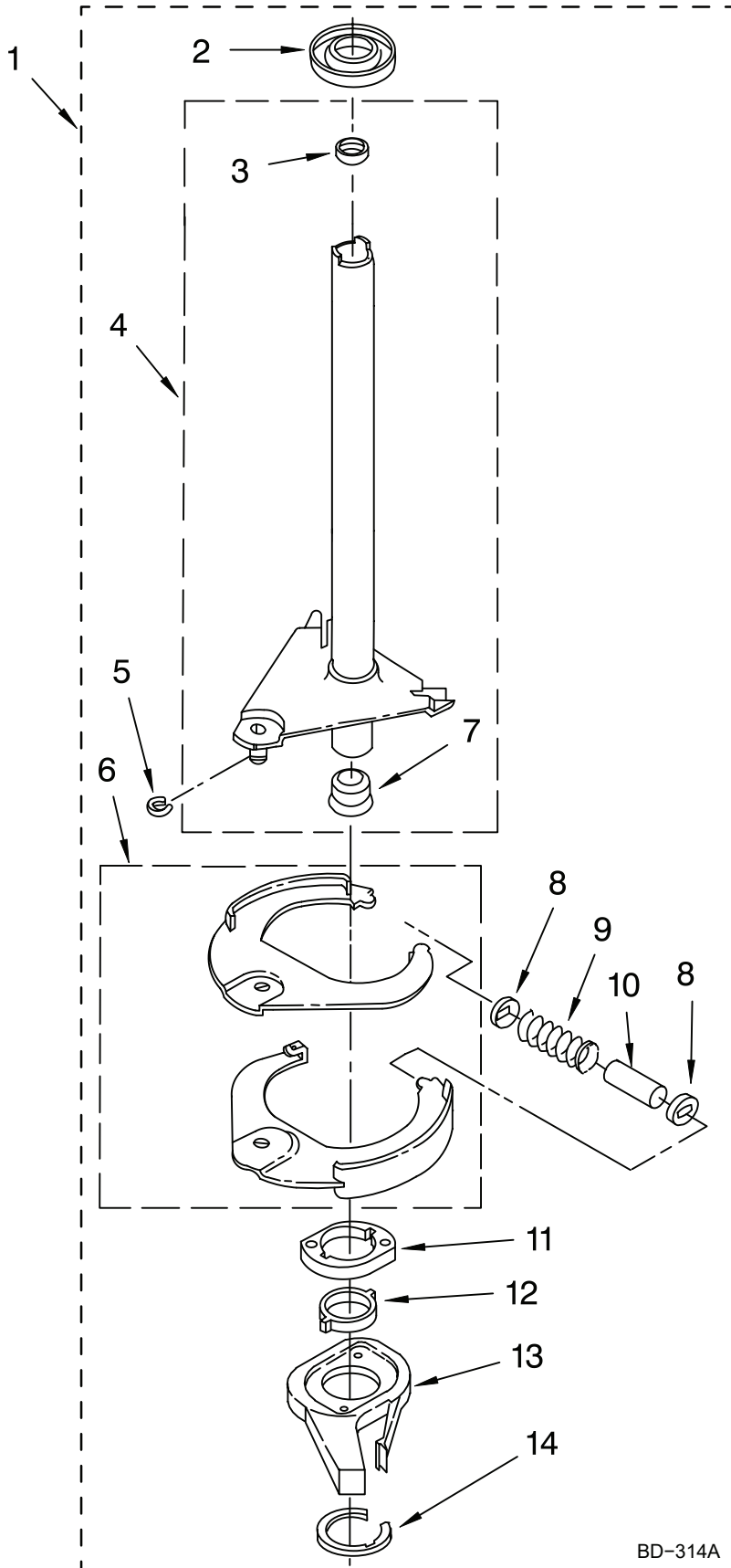
WH2J

FOR ORDERING INFORMATION REFER TO PARTS PRICE LIST

# BRAKE AND DRIVE TUBE PARTS

For Model: MAT14CSBGW0

(White)



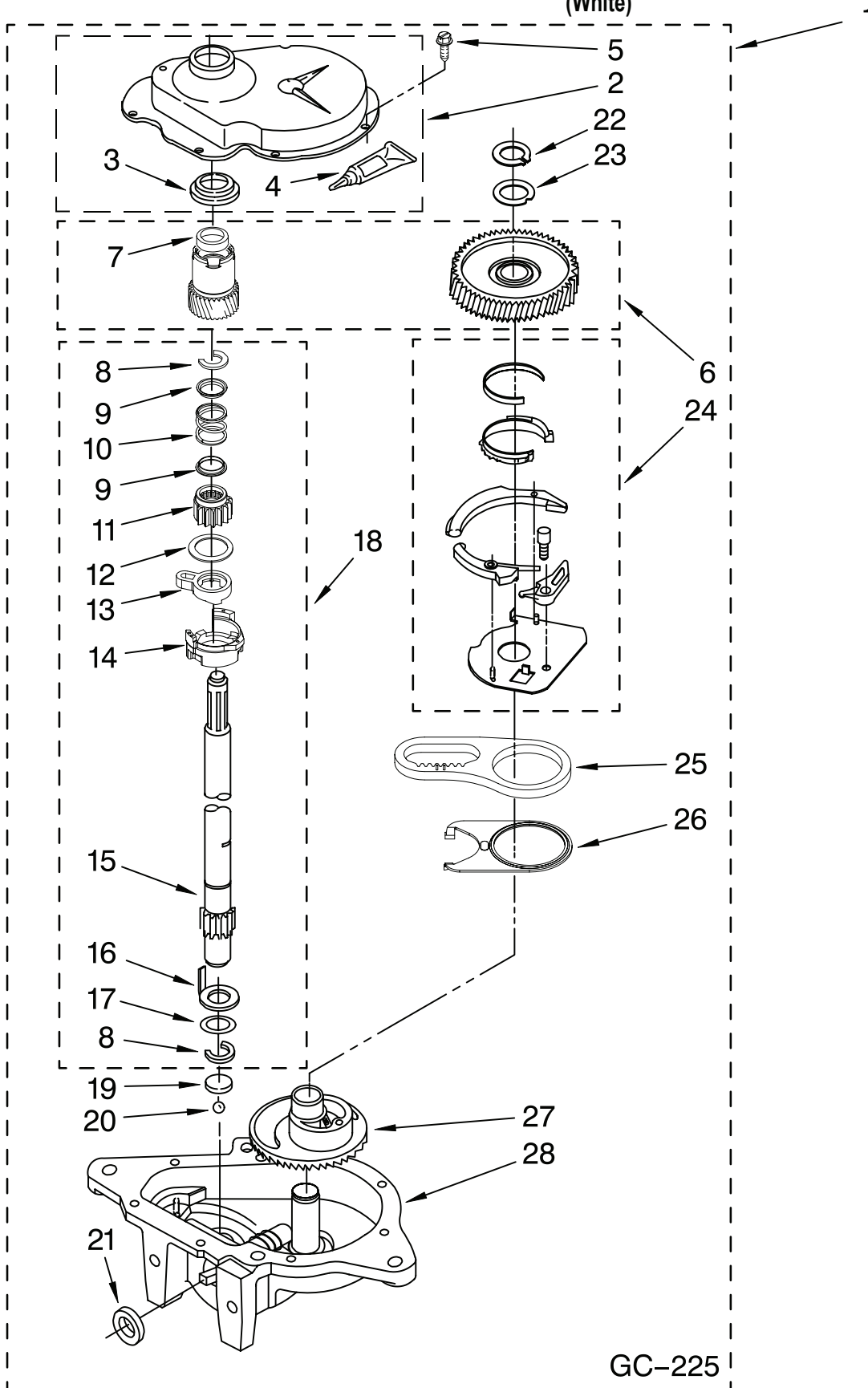
BD-314A

FOR ORDERING INFORMATION REFER TO PARTS PRICE LIST

# GEARCASE PARTS

For Model: MAT14CSBGW0

(White)



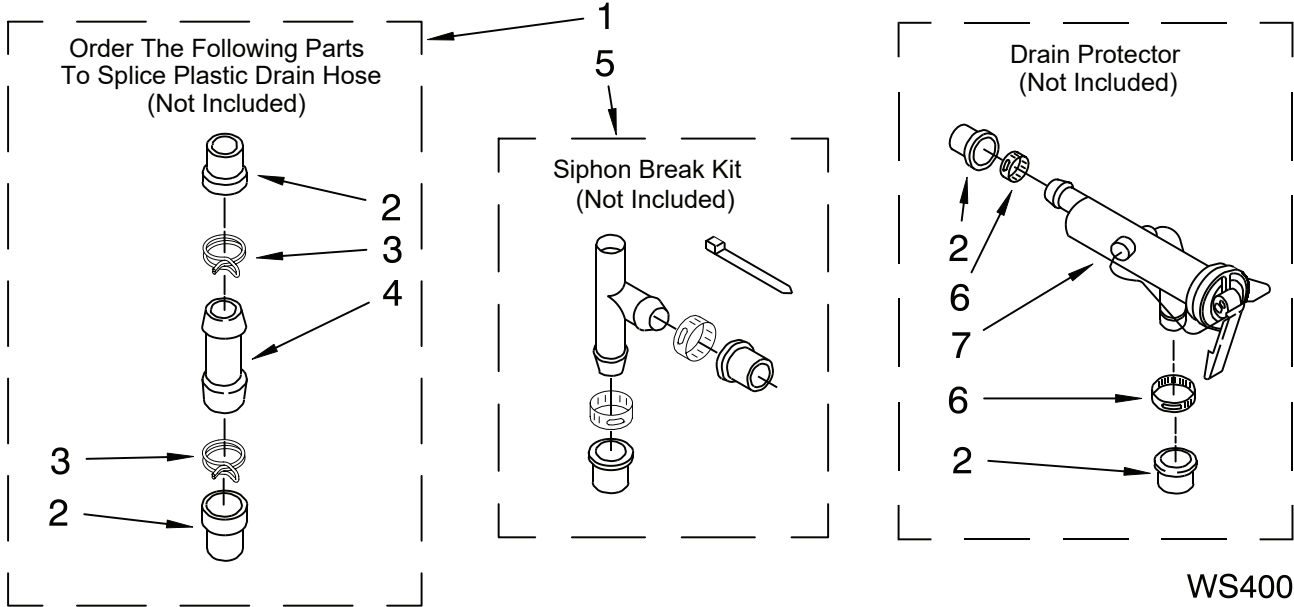
GC-225

FOR ORDERING INFORMATION REFER TO PARTS PRICE LIST

# WATER SYSTEM PARTS

For Model: MAT14CSBGW0

(White)



FOR ORDERING INFORMATION REFER TO PARTS PRICE LIST