

DRYER

Repair Parts List

MODEL NUMBER

MDG170P1HW

When requesting service or ordering parts, always provide the following information:

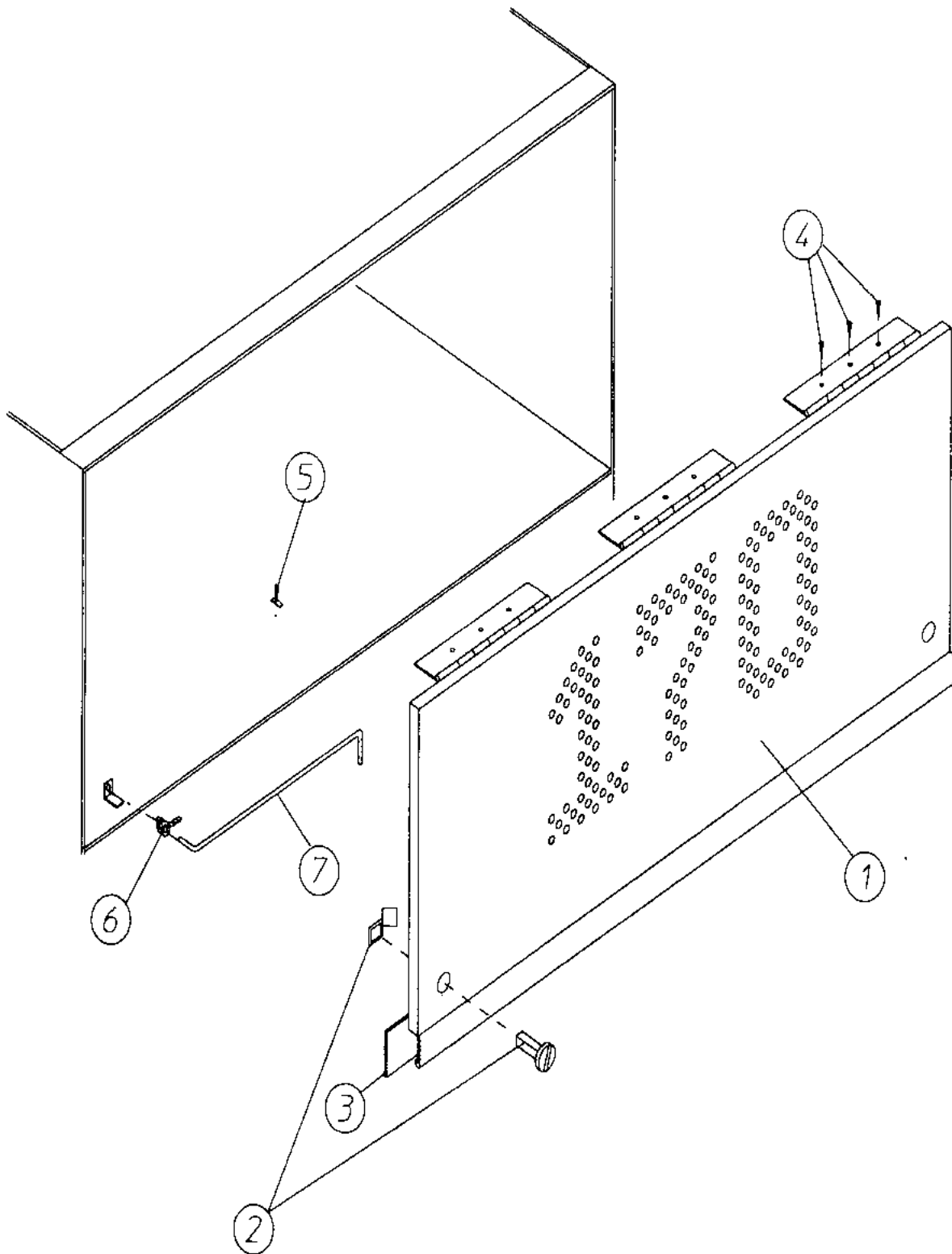
- Product Type
- Part Number
- Model Number
- Part Description

MAYTAG®

©2005 Maytag Services

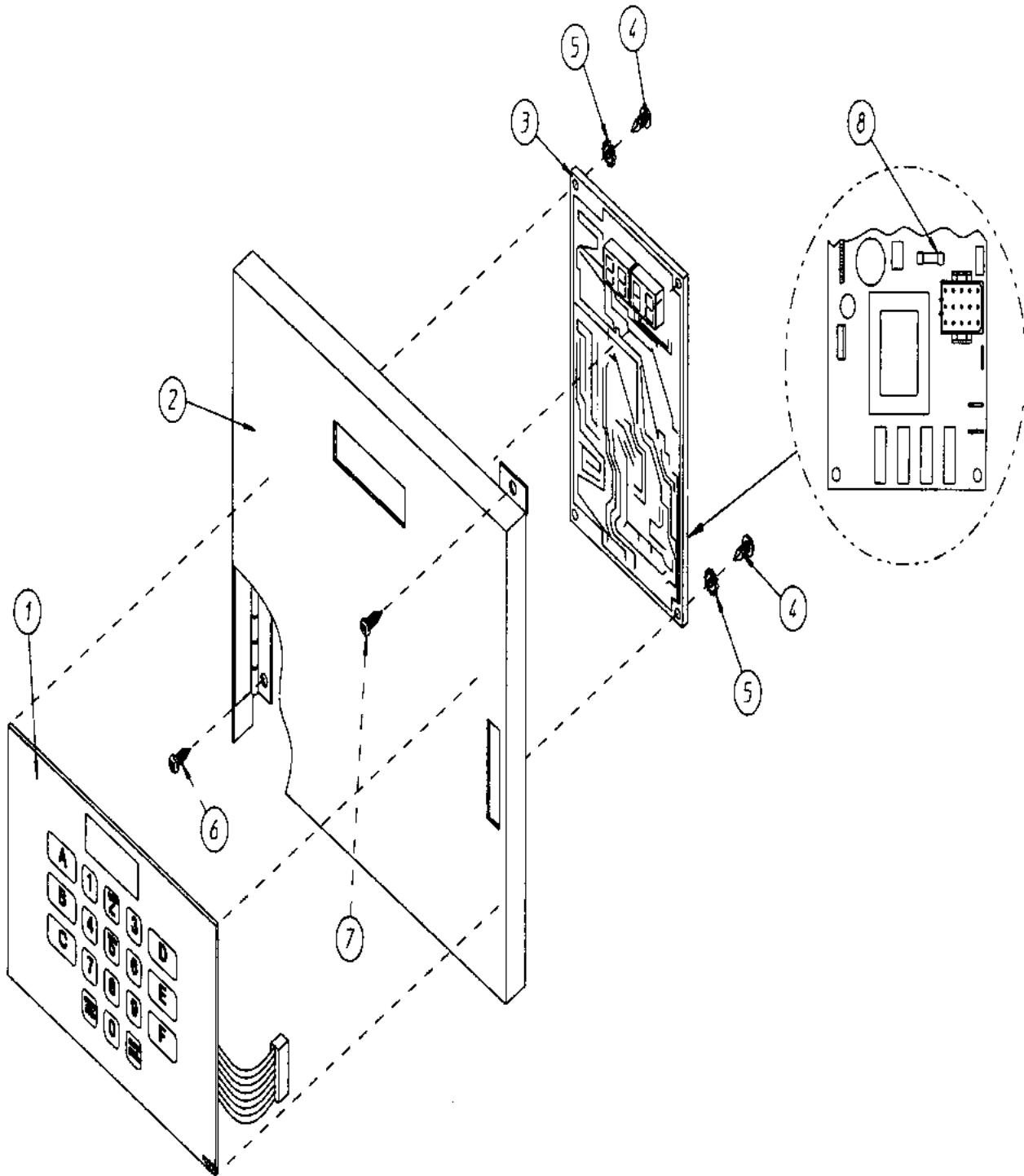
Section: CONTROL DOOR ASSEMBLY

Model: MDG170P1HW



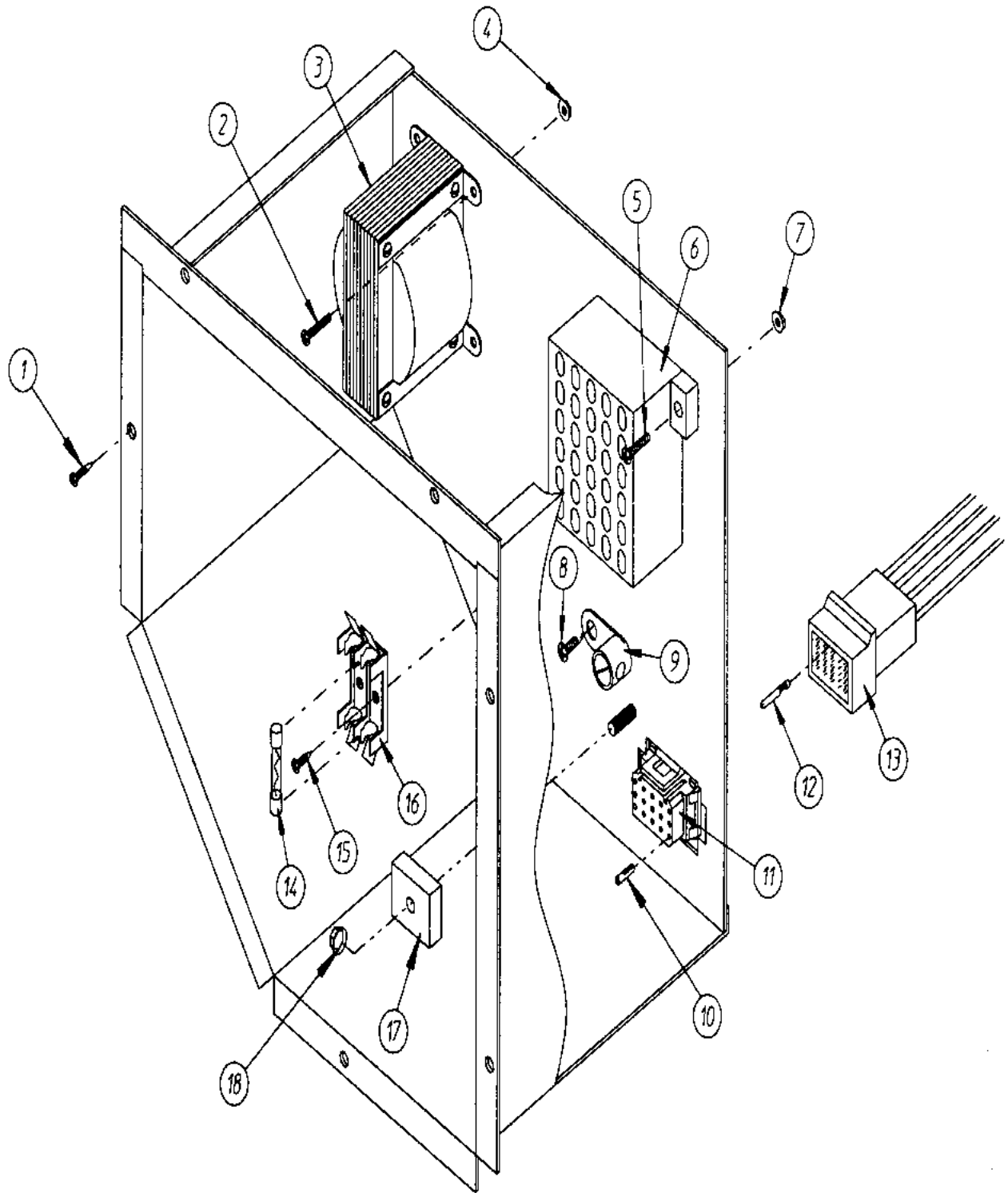
Section: CONTROL PANEL ASSEMBLY (MICROPROCESSOR)

Model: MDG170P1HW



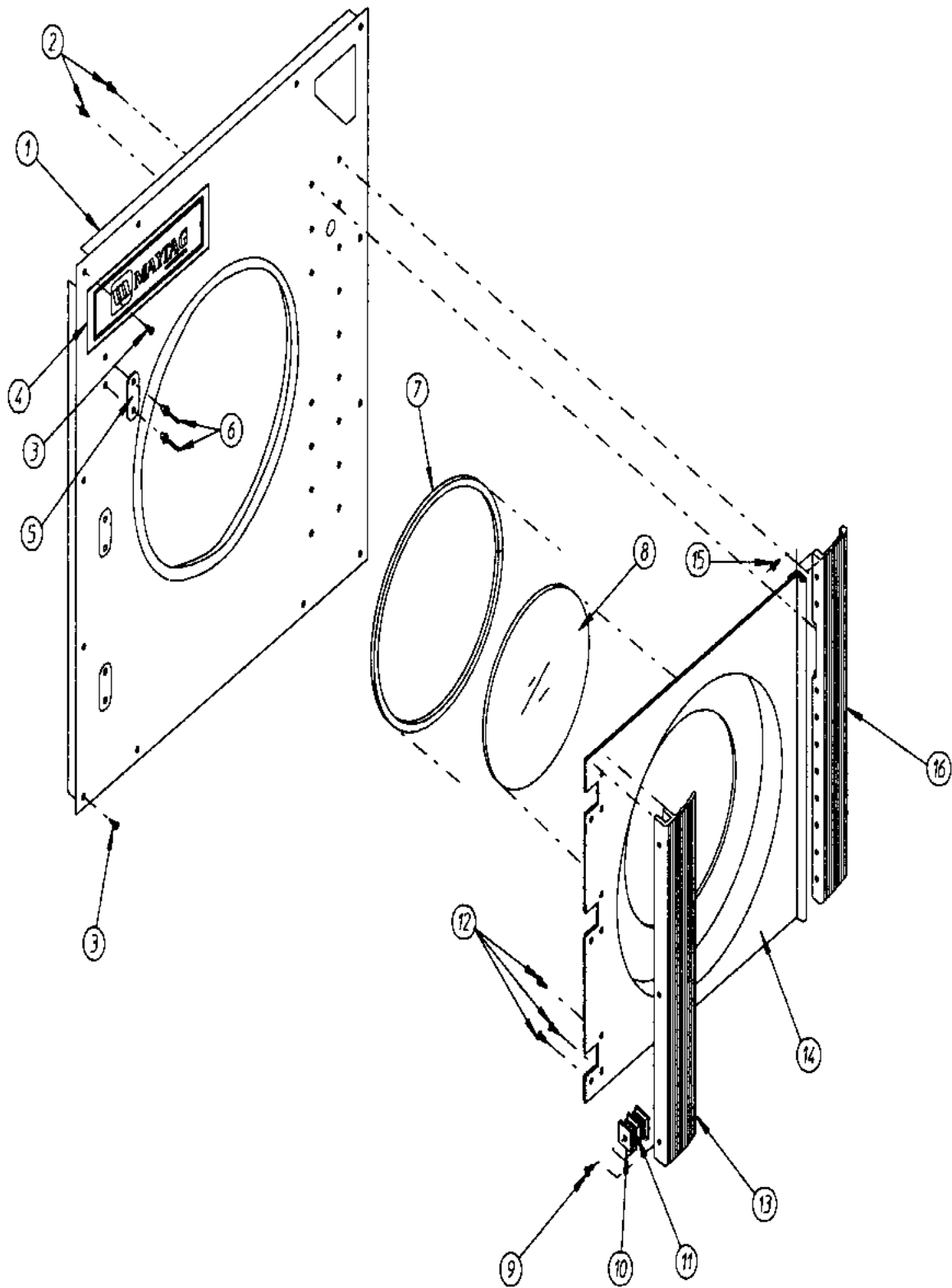
Section: CONTROL BOX ASSEMBLY

Model: MDG170P1HW



Section: FRONT PANEL/MAIN DOOR ASSEMBLY

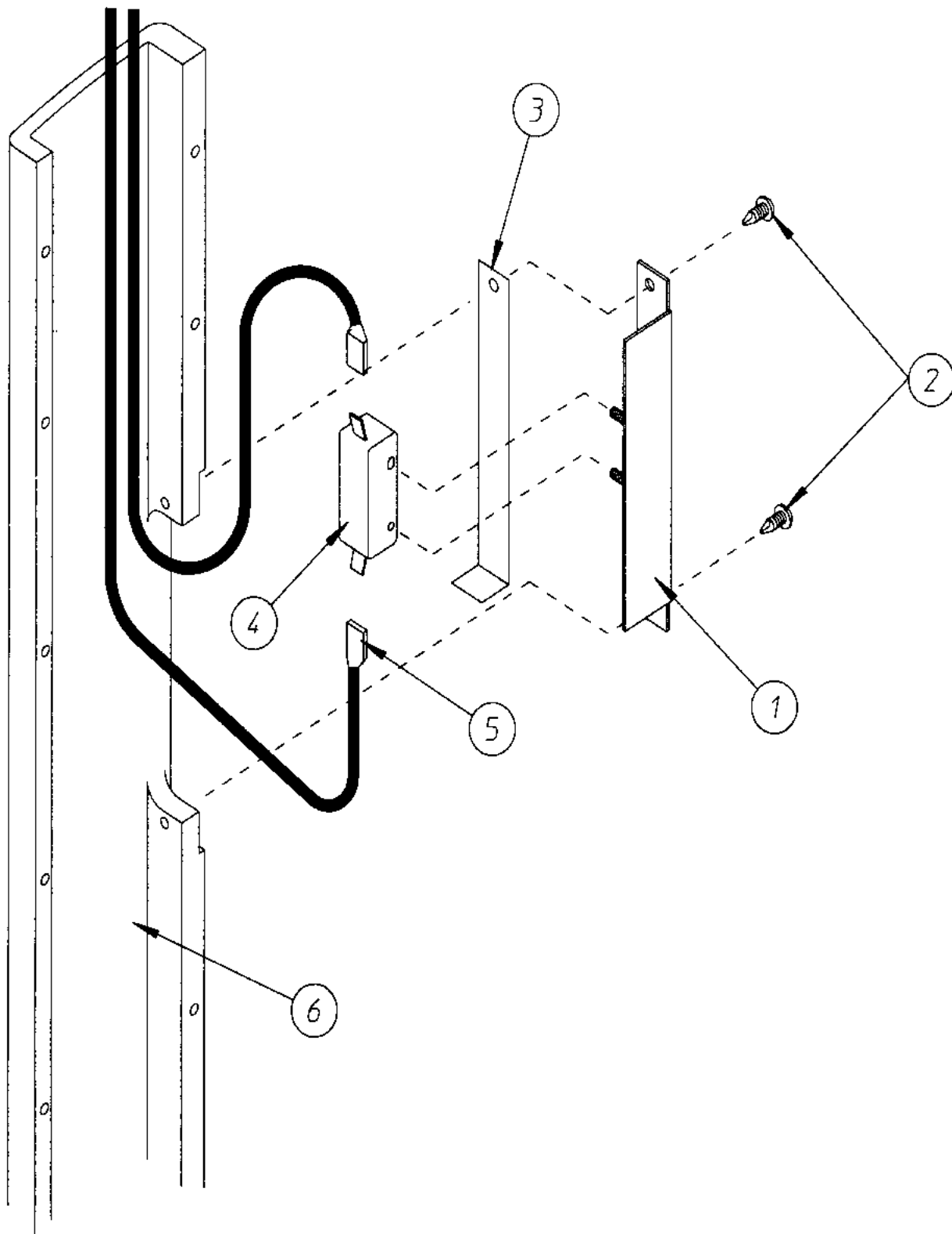
Model: MDG170P1HW



CD21-31

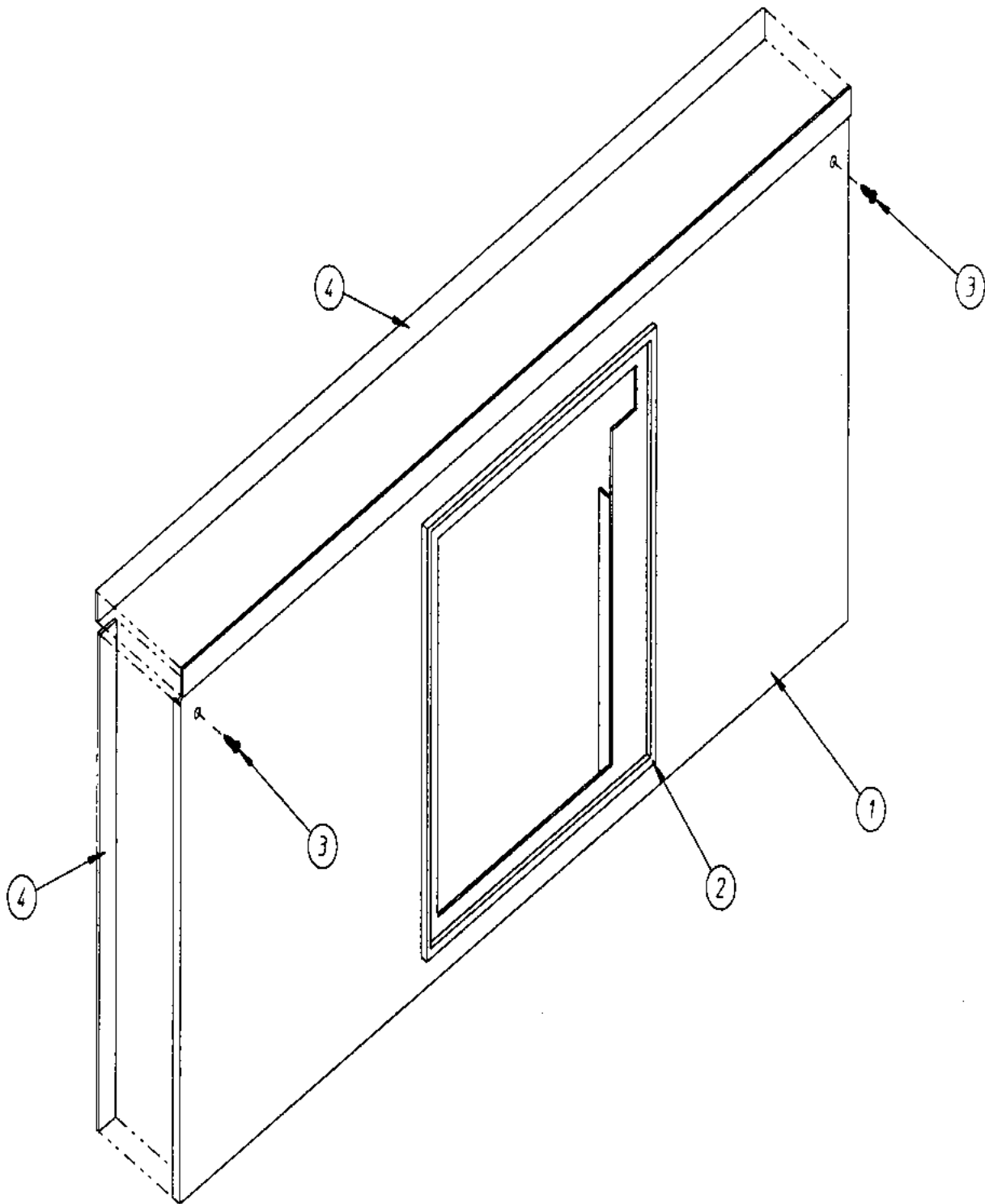
Section: MAIN DOOR SWITCH ASSEMBLY

Model: MDG170P1HW



Section: LINT DOOR ASSEMBLY

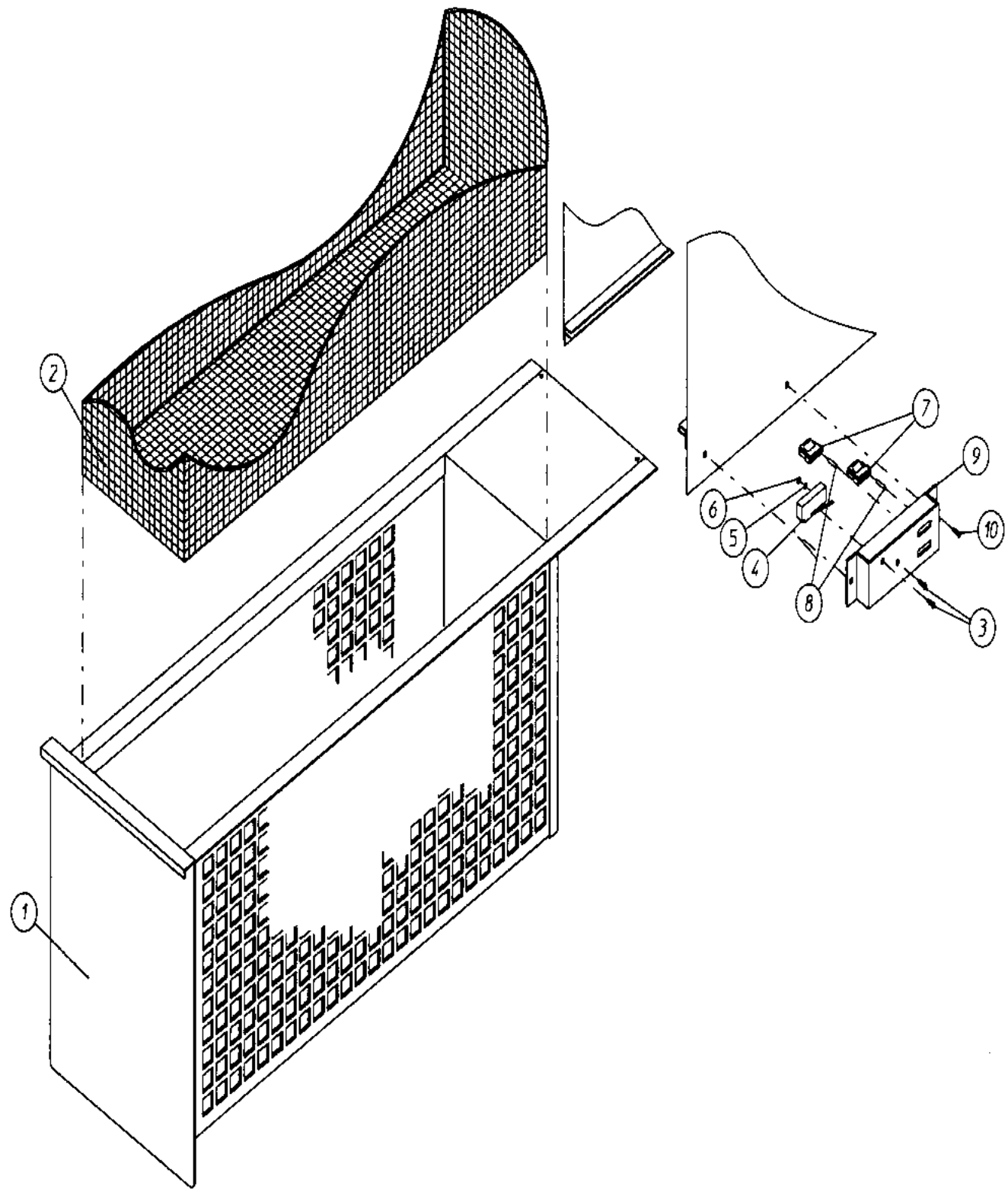
Model: MDG170P1HW



CD21-29

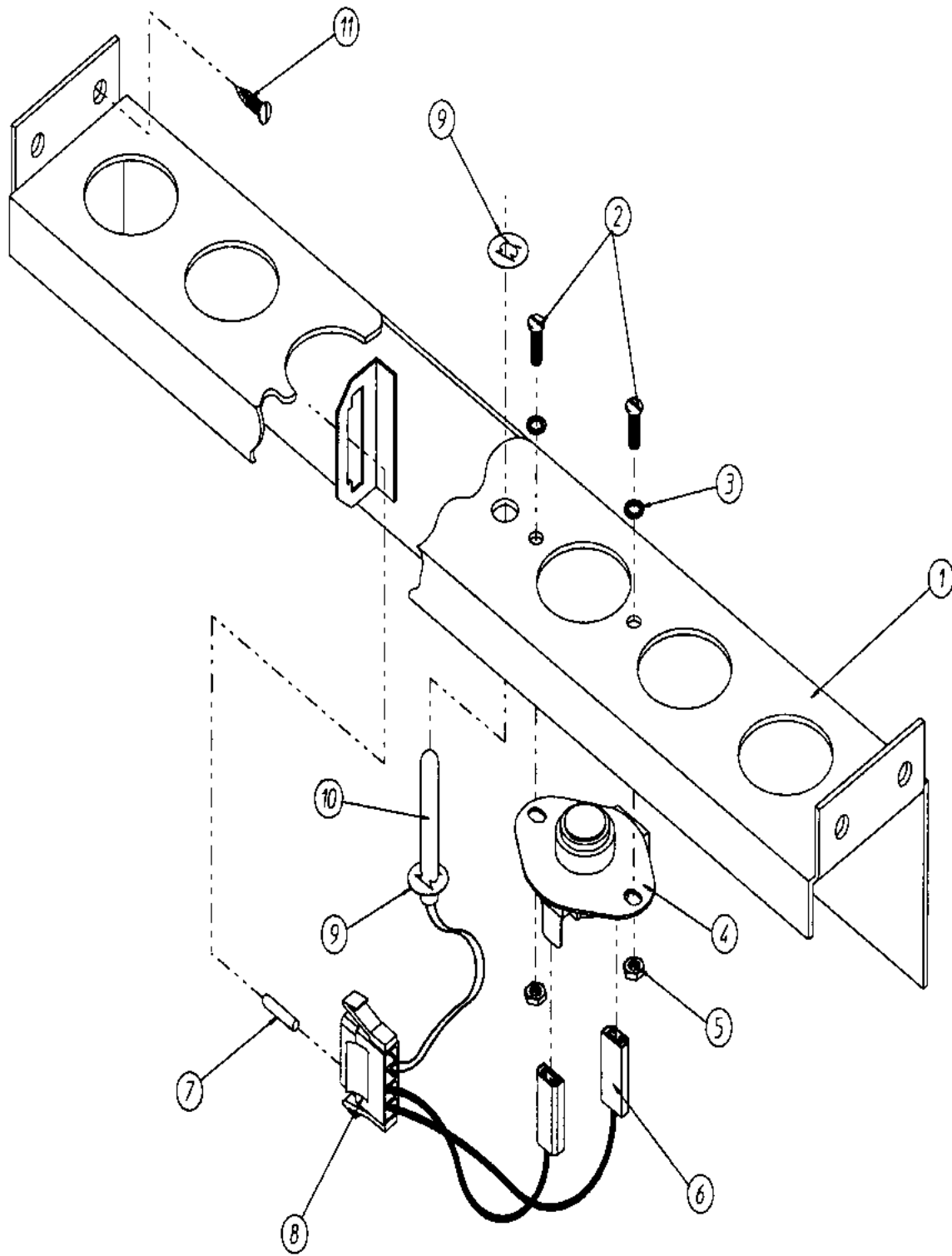
Section: LINT DRAWER/SWITCH BOX ASSEMBLY

Model: MDG170P1HW



Section: MICROPROCESSOR TEMP. SENSOR BRKT. ASSY.

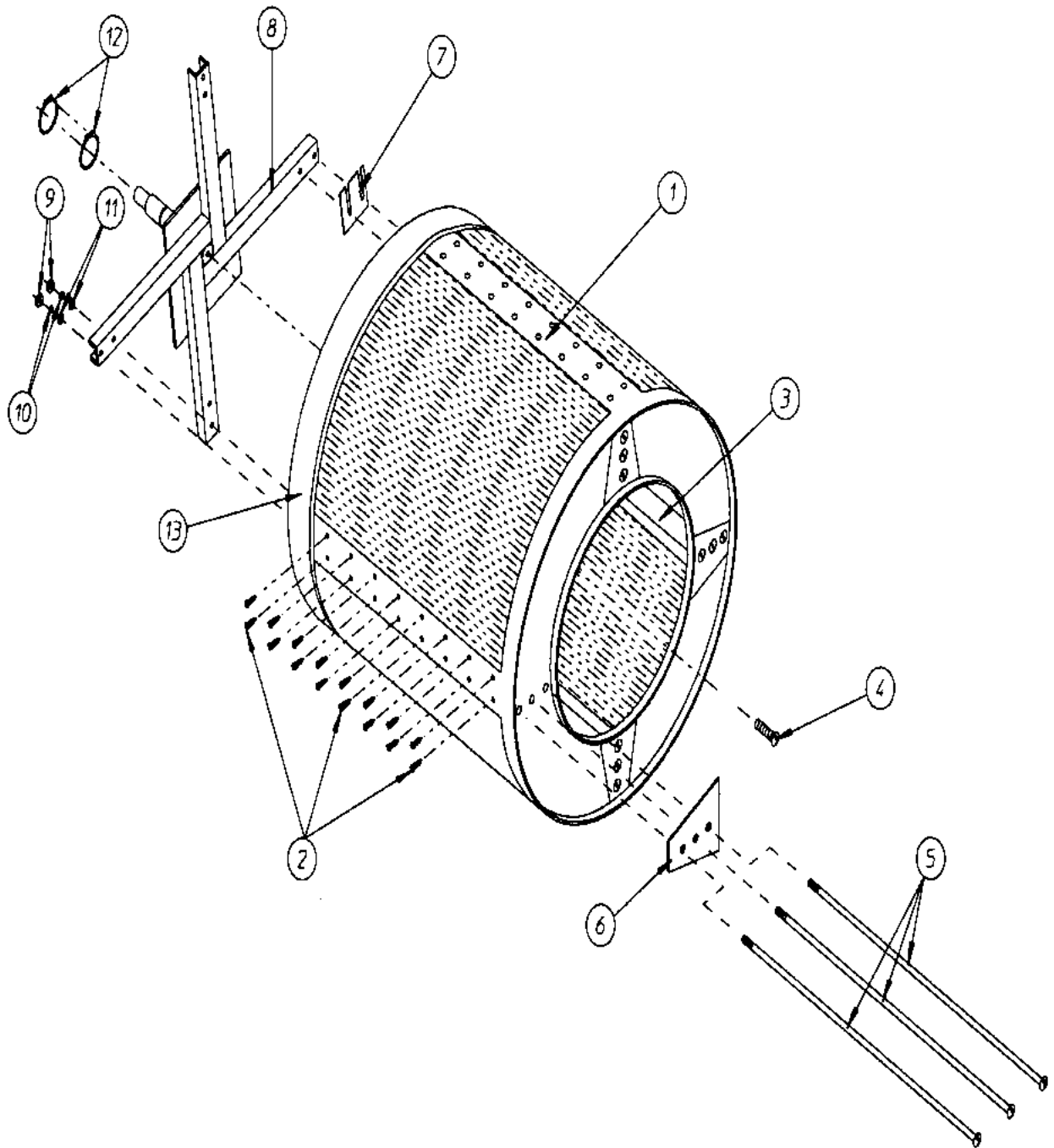
Model: MDG170P1HW



CD21-28

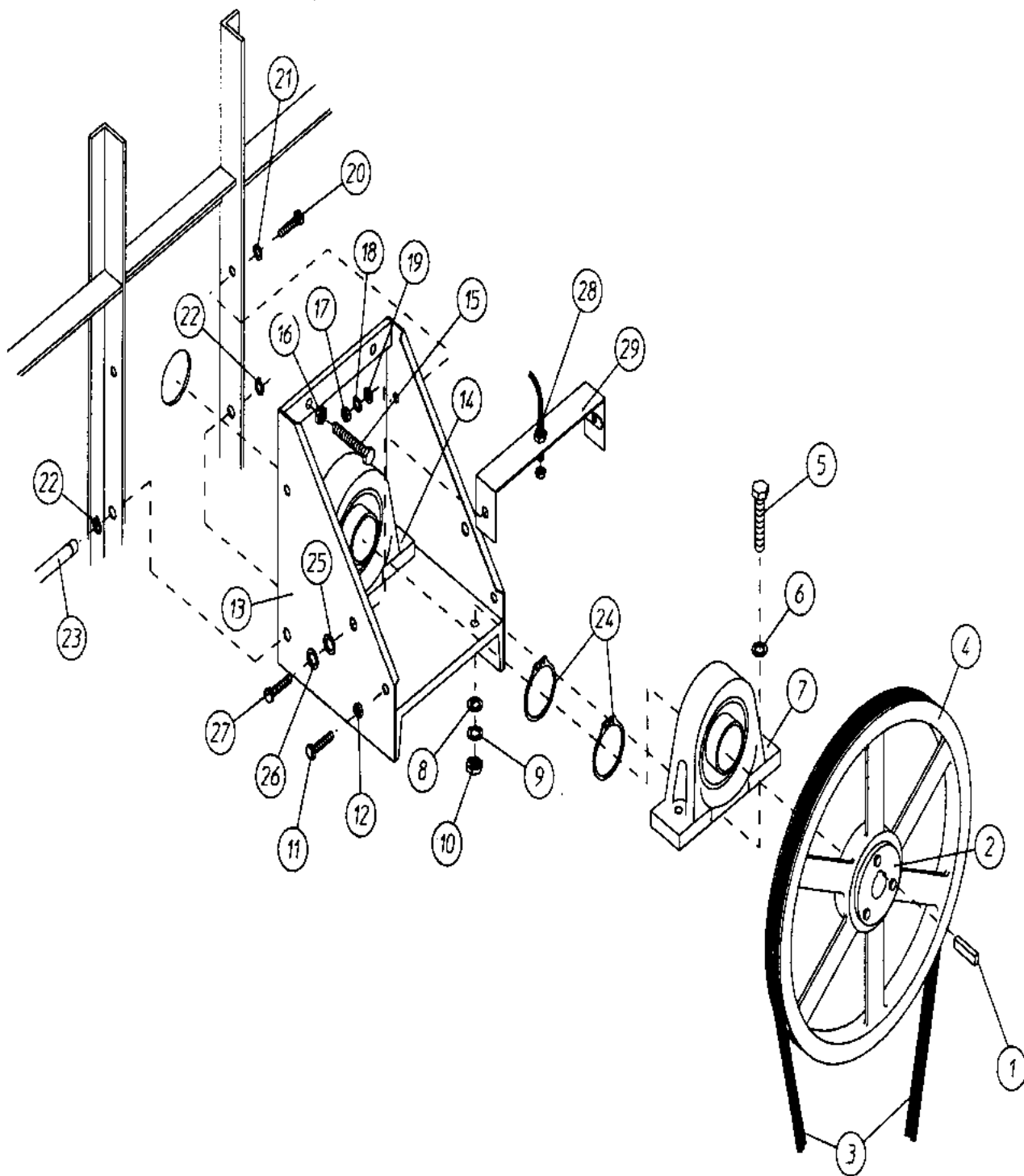
Section: BASKET (TUMBLER) SUPPORT ASSEMBLY

Model: MDG170P1HW



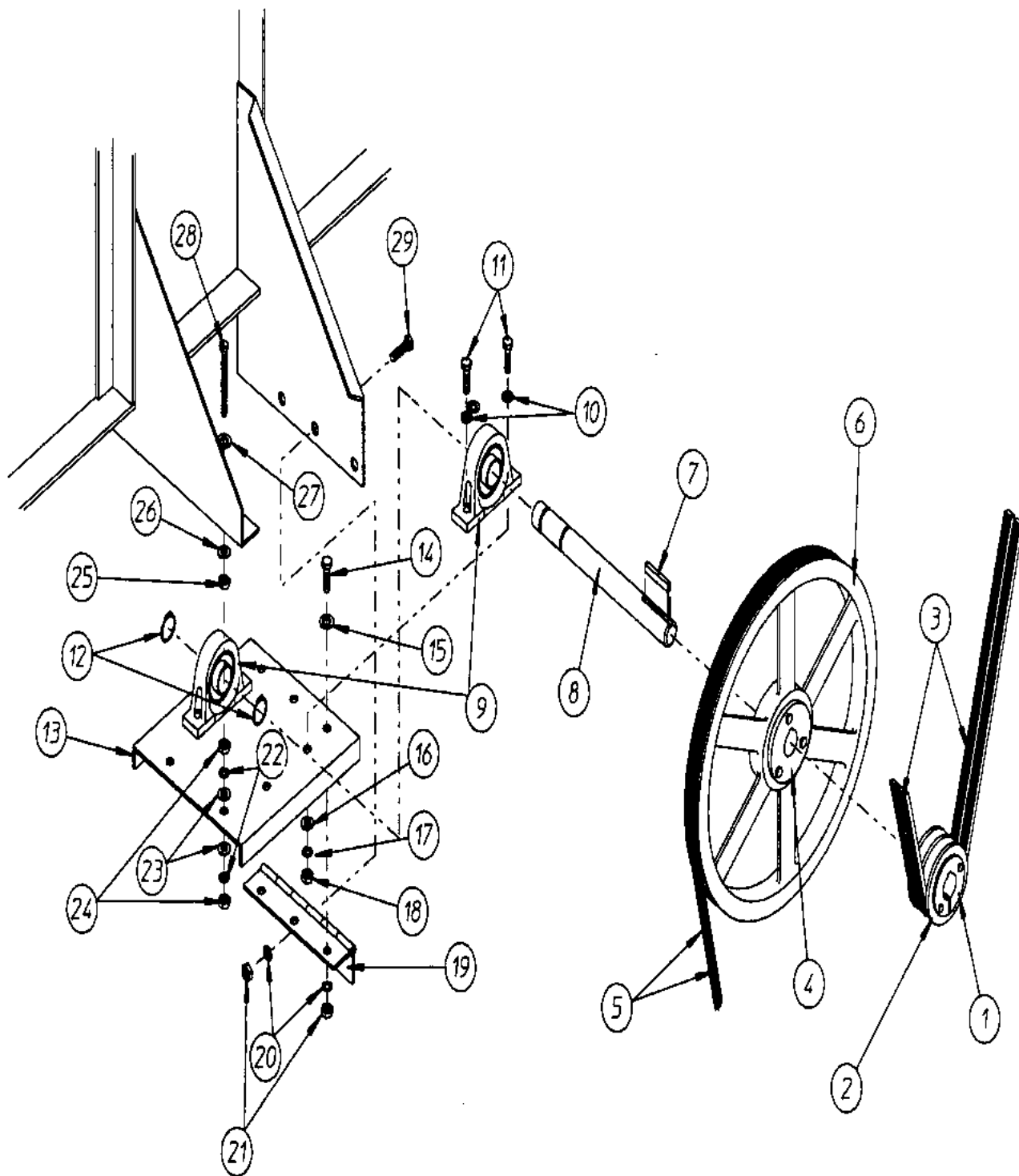
Section: TUMBLER BEARING MOUNT ASSEMBLY

Model: MDG170P1HW



Section: IDLER BEARING MOUNT ASSEMBLY

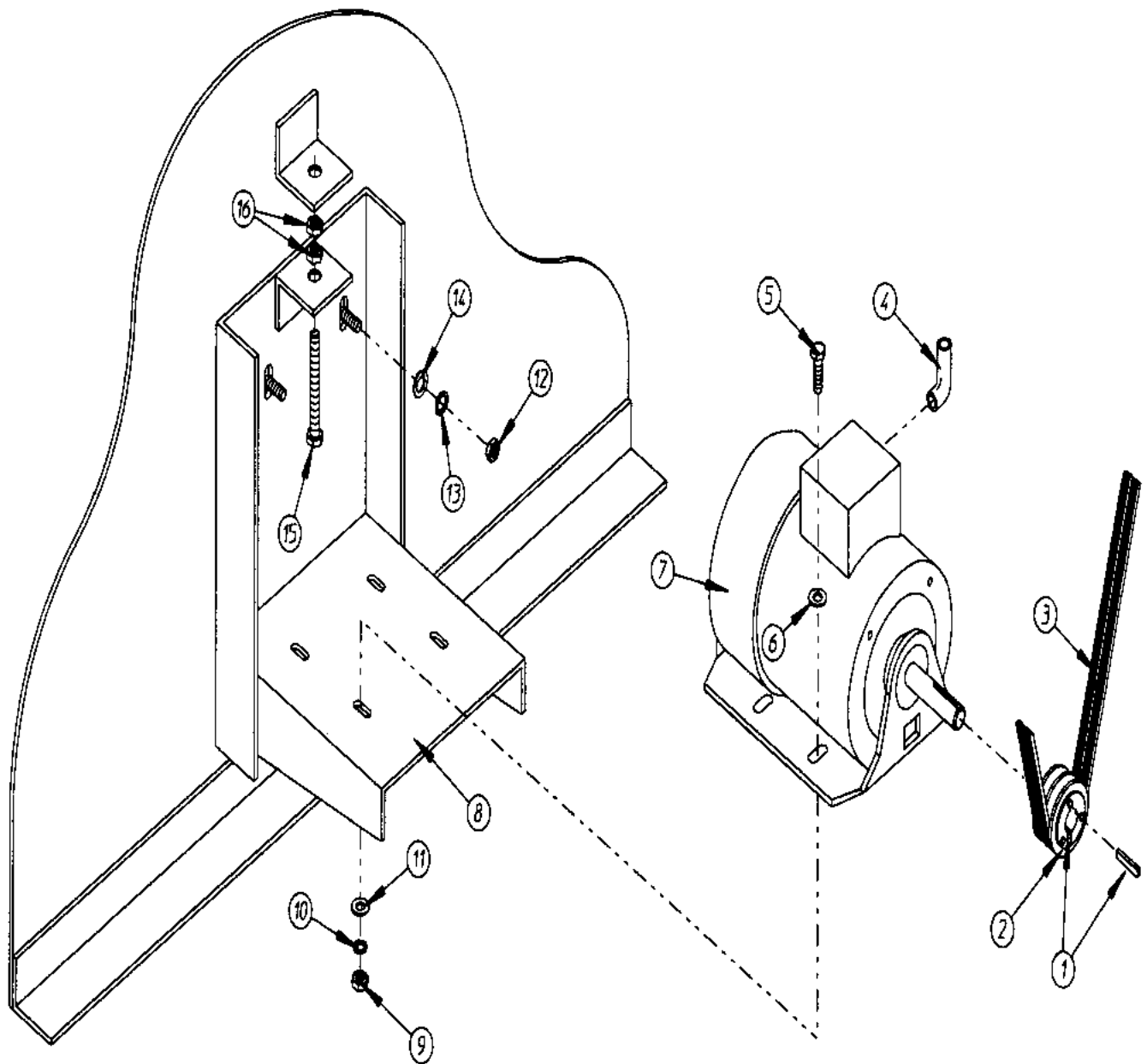
Model: MDG170P1HW



CD21-27

Section: FAN COOLED BASKET MOTOR MOUNT ASSEMBLY

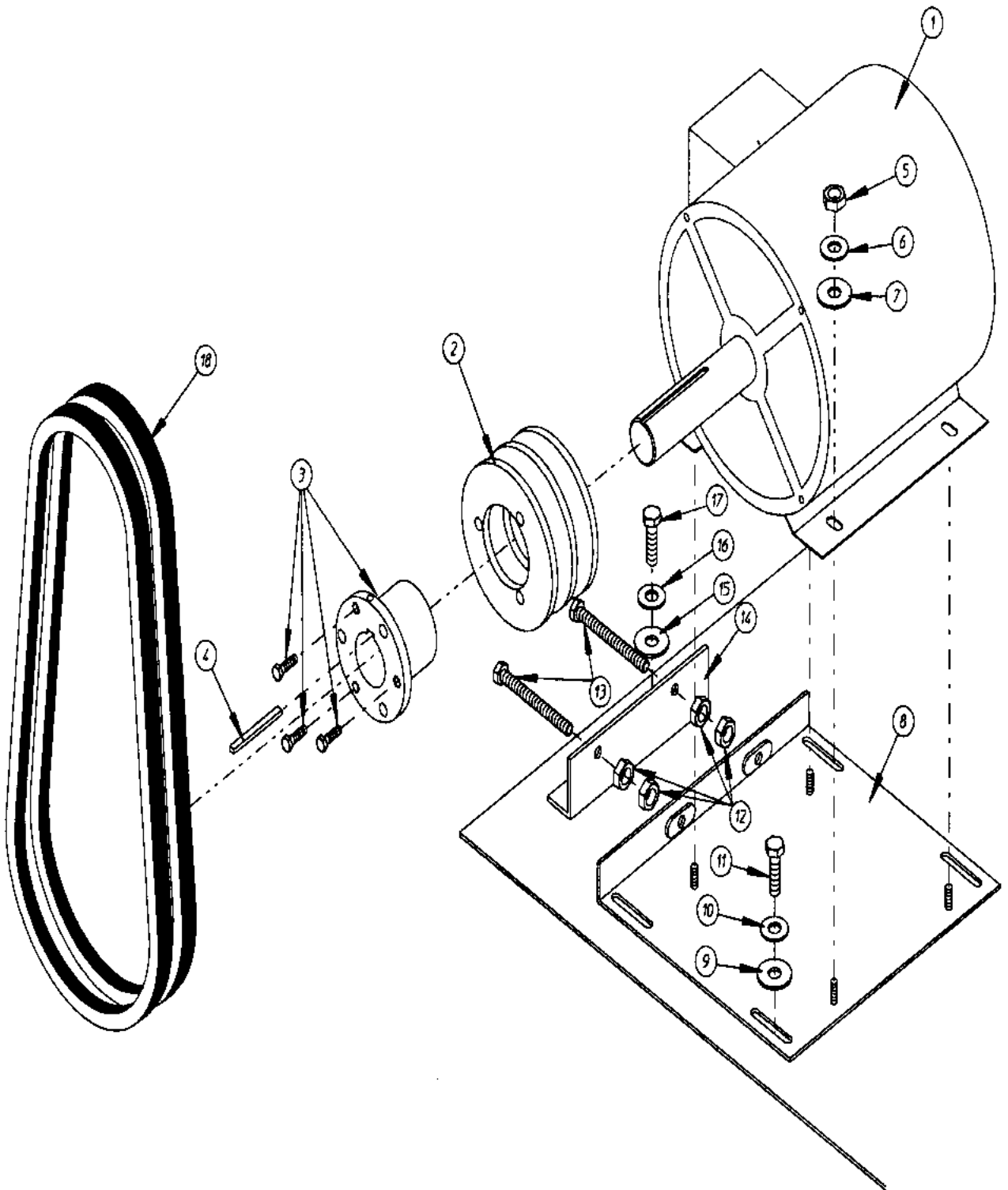
Model: MDG170P1HW



CD17-11

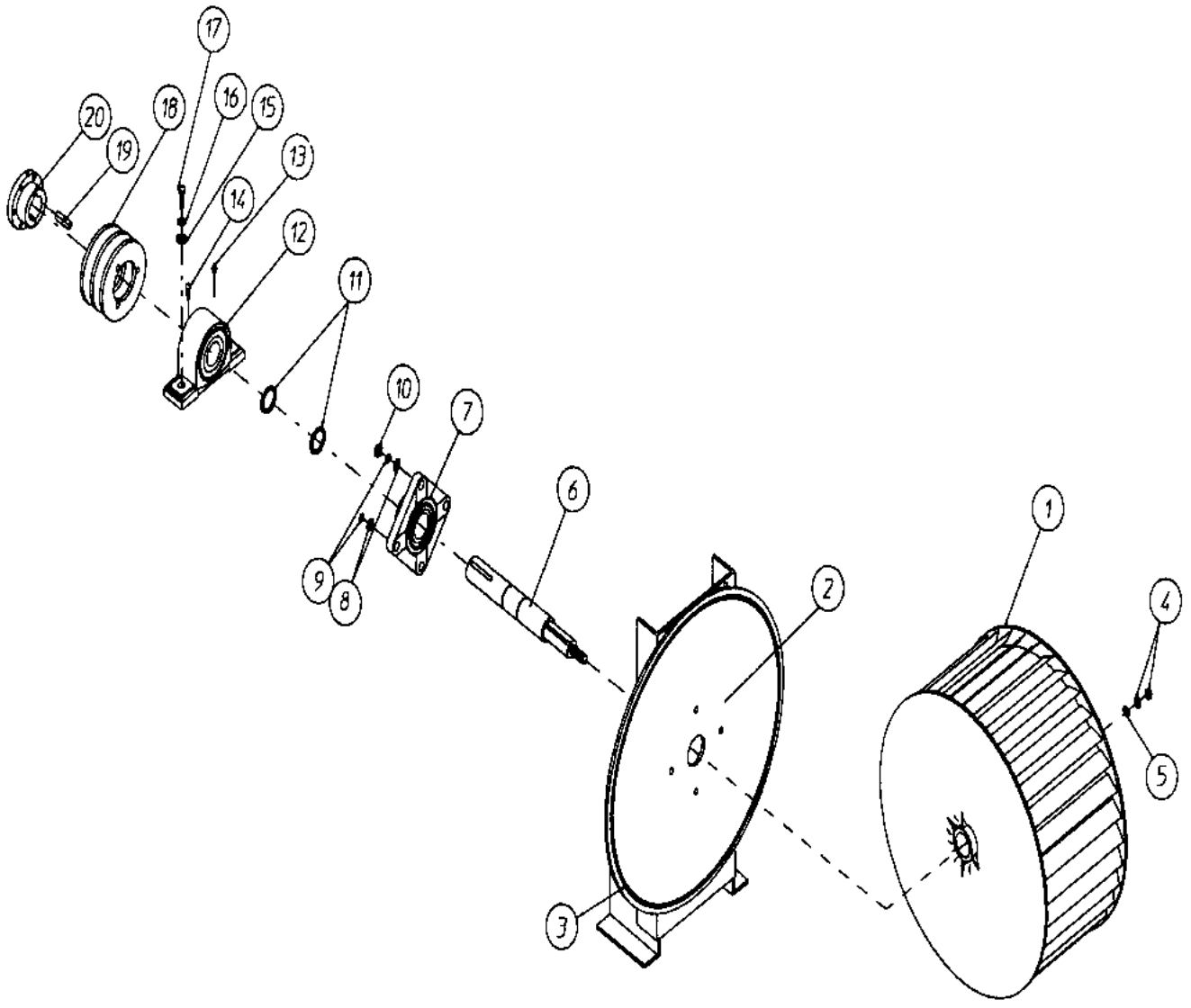
Section: BLOWER MOTOR MOUNT ASSEMBLY

Model: MDG170P1HW



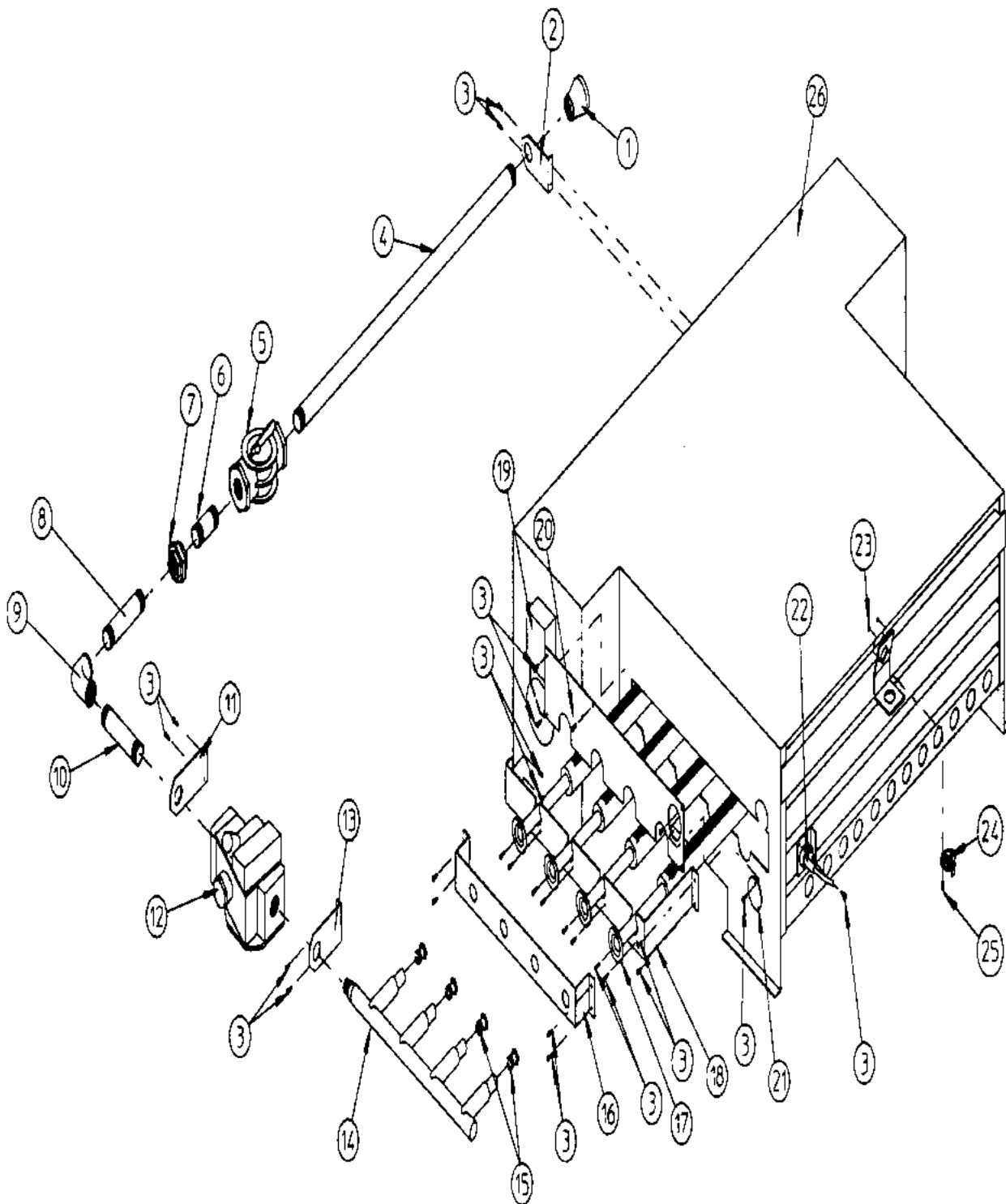
Section: FAN SHAFT MOUNT ASSEMBLY

Model: MDG170P1HW



Section: D.S.I. BURNER ASSY. (NATURAL GAS)

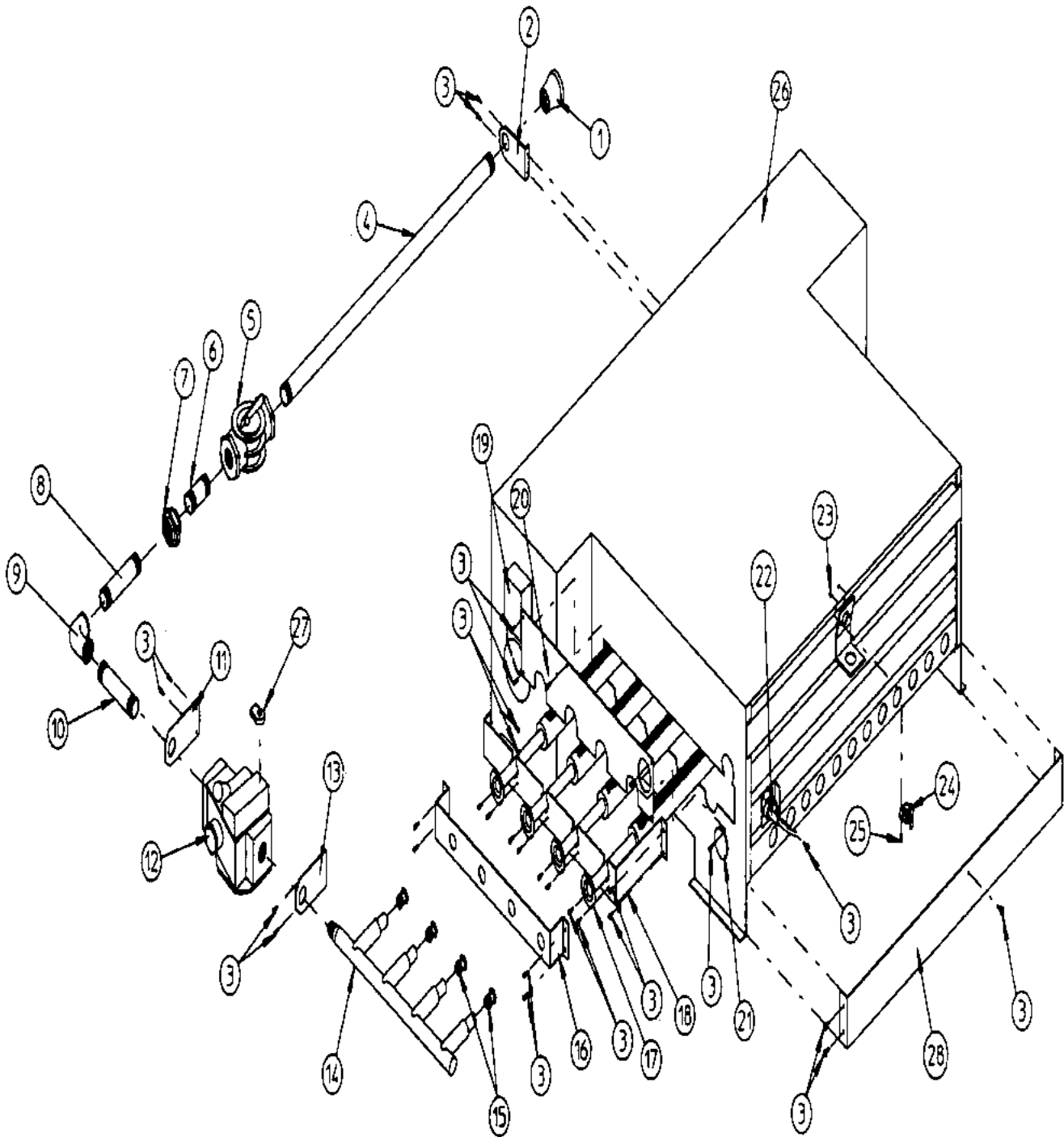
Model: MDG170P1HW



CD14-4

Section: D.S.I. BURNER ASSEMBLY (L.P.)

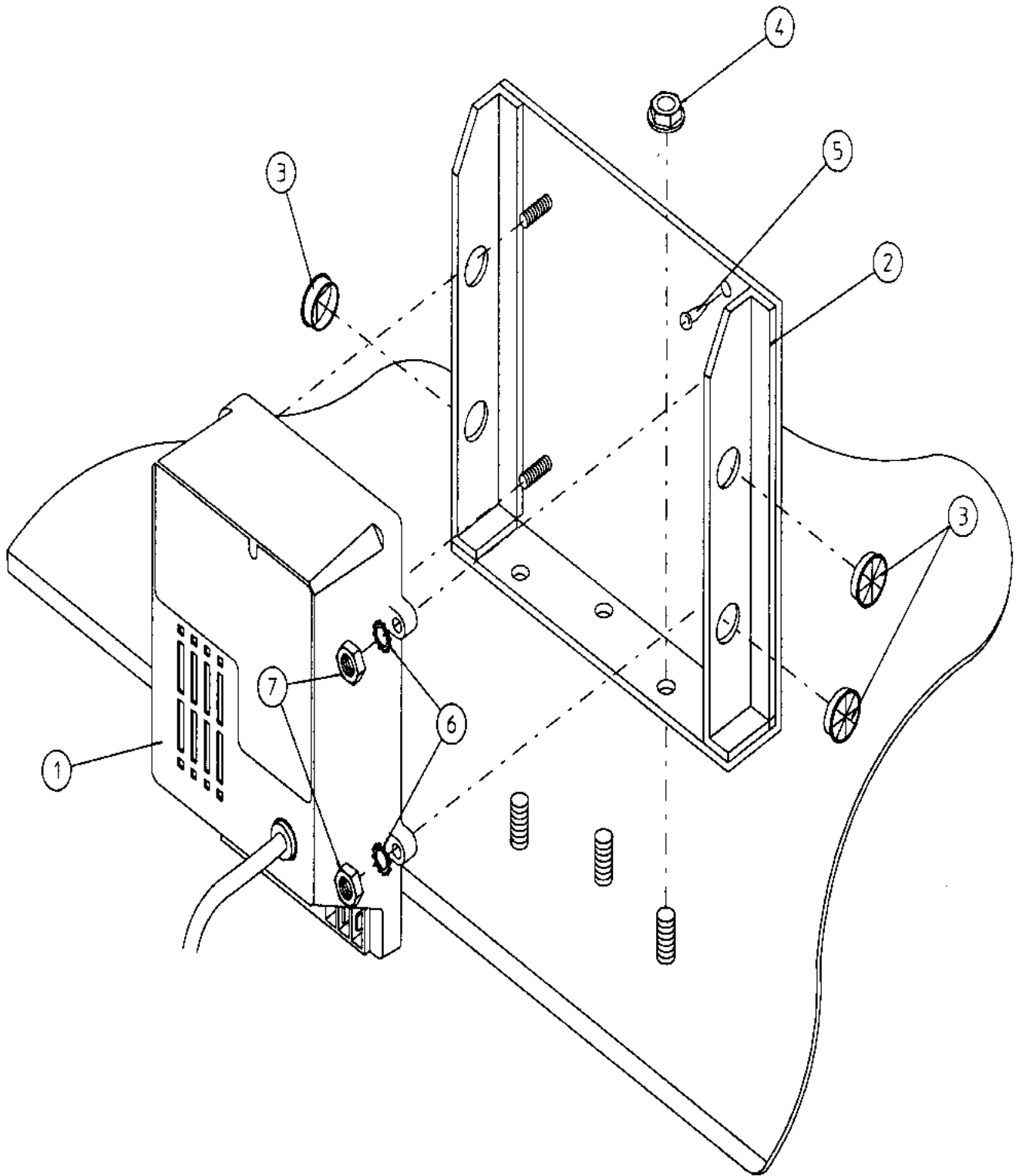
Model: MDG170P1HW



CD14-3

Section: D.S.I. MODULE MOUNT ASSEMBLY

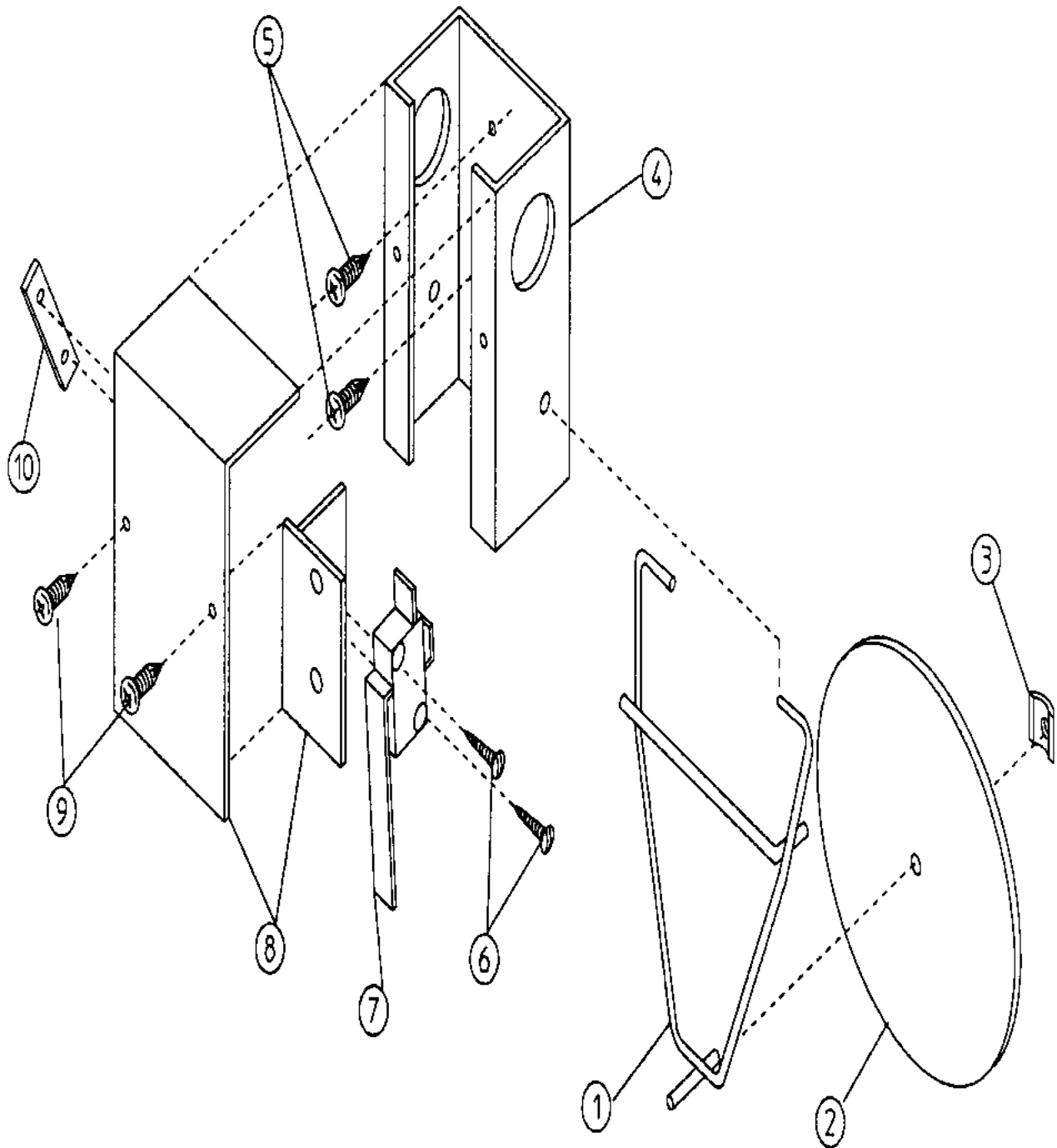
Model: MDG170P1HW



CD21-24

Section: SAIL SWITCH ASSEMBLY

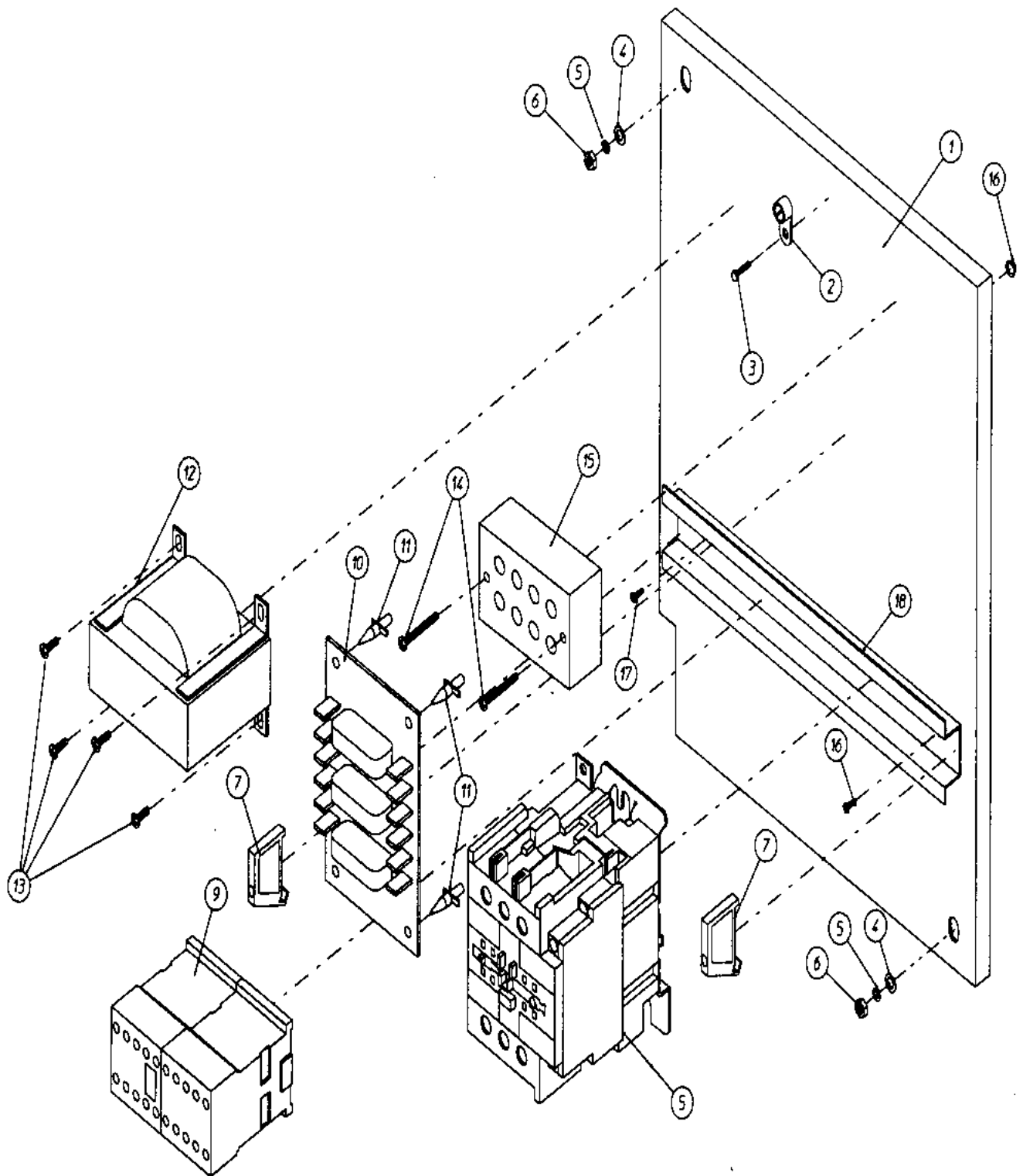
Model: MDG170P1HW



CD21-23

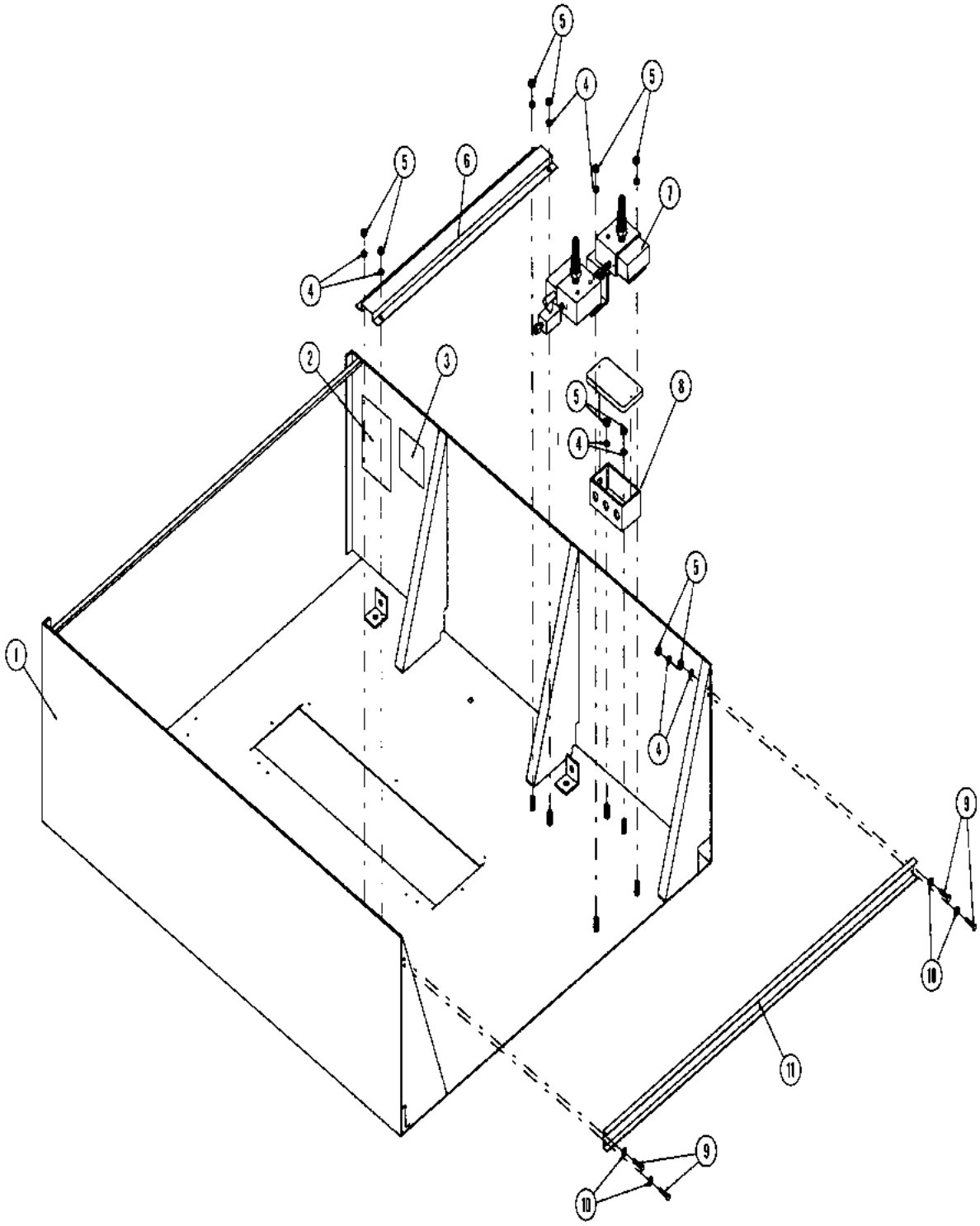
Section: M/PROCESSOR REV. CNTCTR MTG. PNL. ASSY.

Model: MDG170P1HW



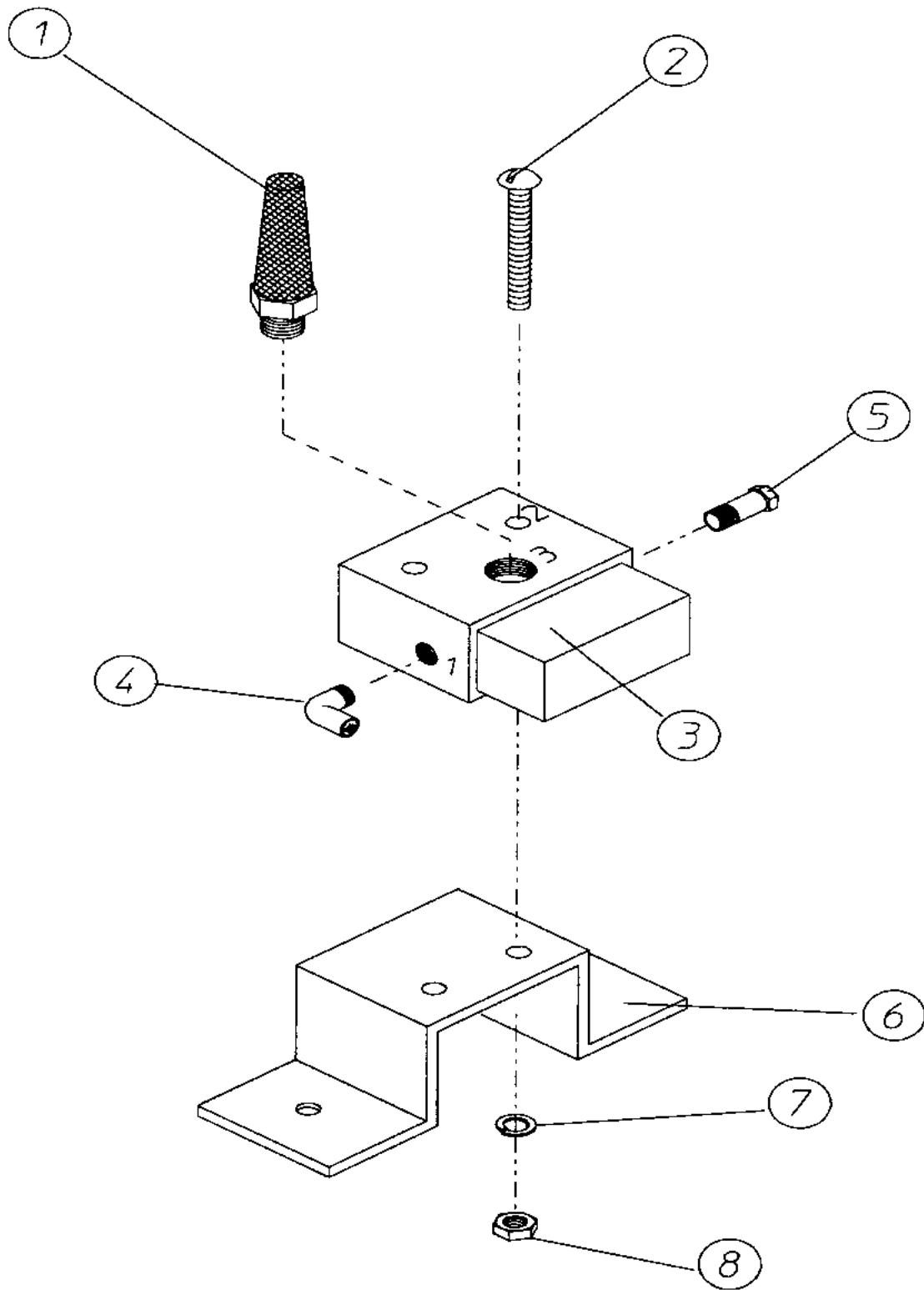
Section: TOP CONSOLE ASSEMBLY

Model: MDG170P1HW



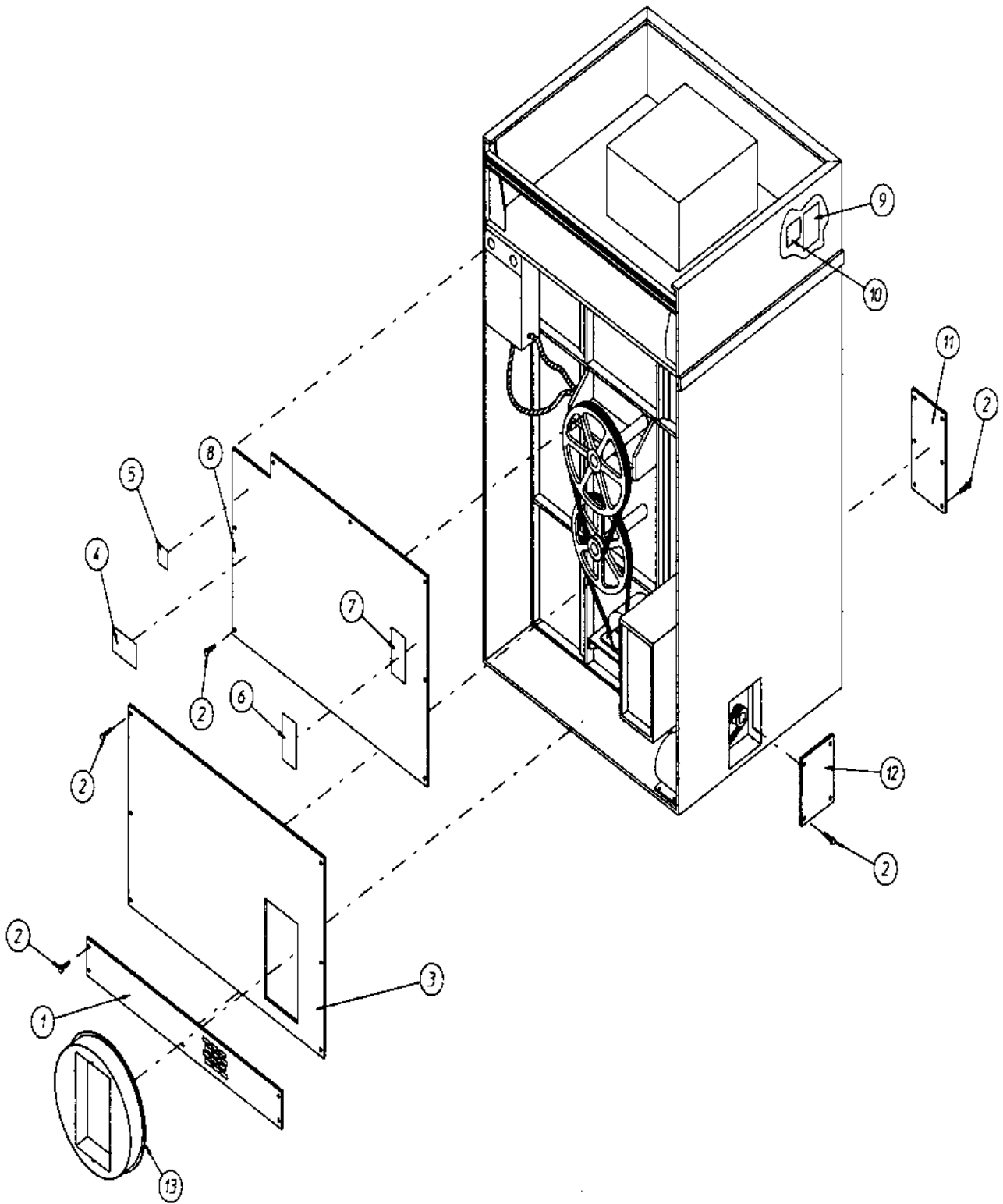
Section: PNEUMATIC VALVE ASSEMBLY

Model: MDG170P1HW



Section: BACKGUARD ASSEMBLY

Model: MDG170P1HW



CD11-24

Section: ADDITIONAL PARTS AVAILABLE

Model: MDG170P1HW

No image available

NOIMAGE

Section: STEP-DOWN TRANSFORMER APPL. LISTING

Model: MDG170P1HW

No image available

NOIMAGE