

DRYER

Repair Parts List

MODEL NUMBER
MDG30PNVWW

When requesting service or ordering parts, always provide the following information:

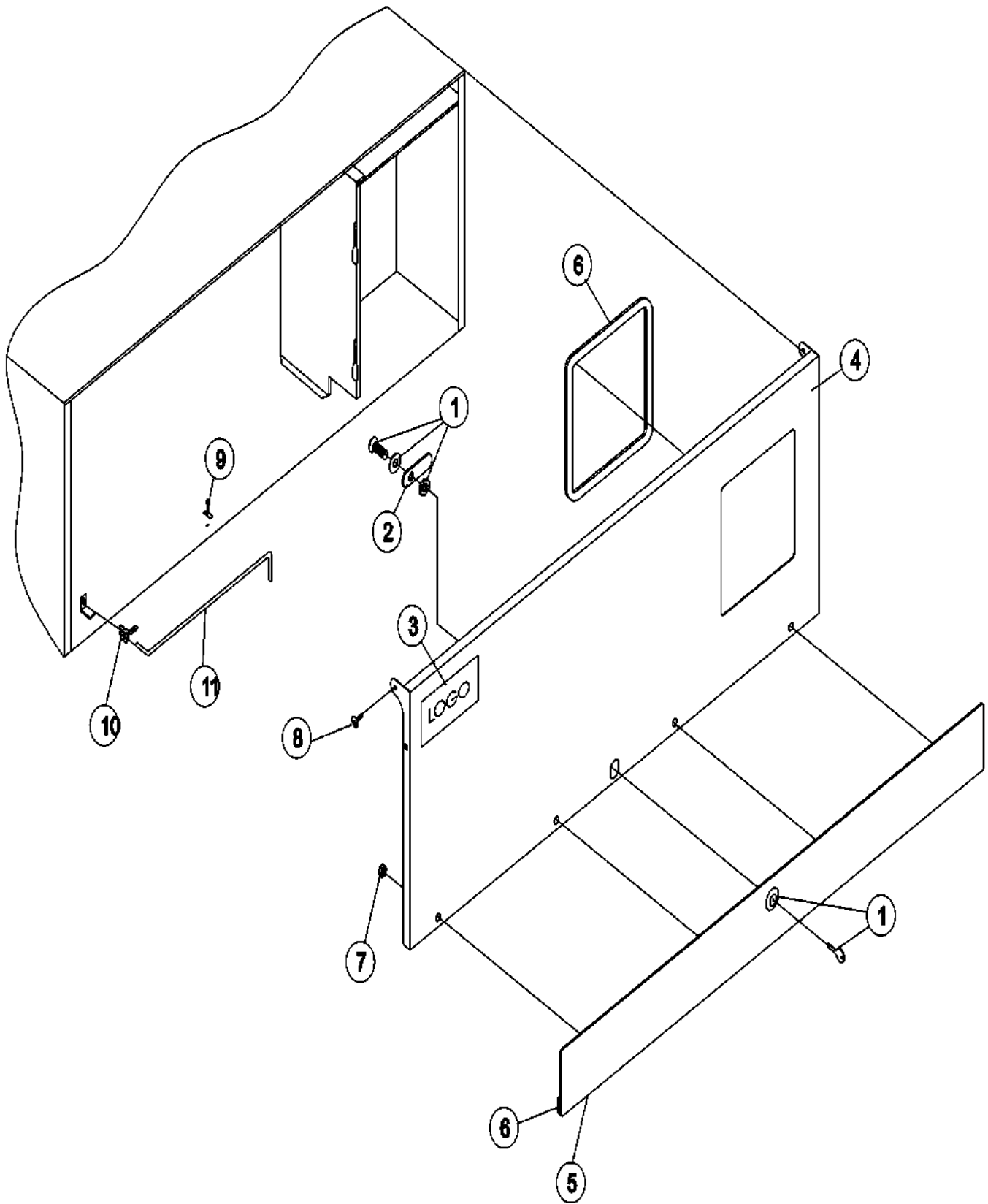
- Product Type
- Part Number
- Model Number
- Part Description

MAYTAG®

©2005 Maytag Services

Section: CONTROL DOOR

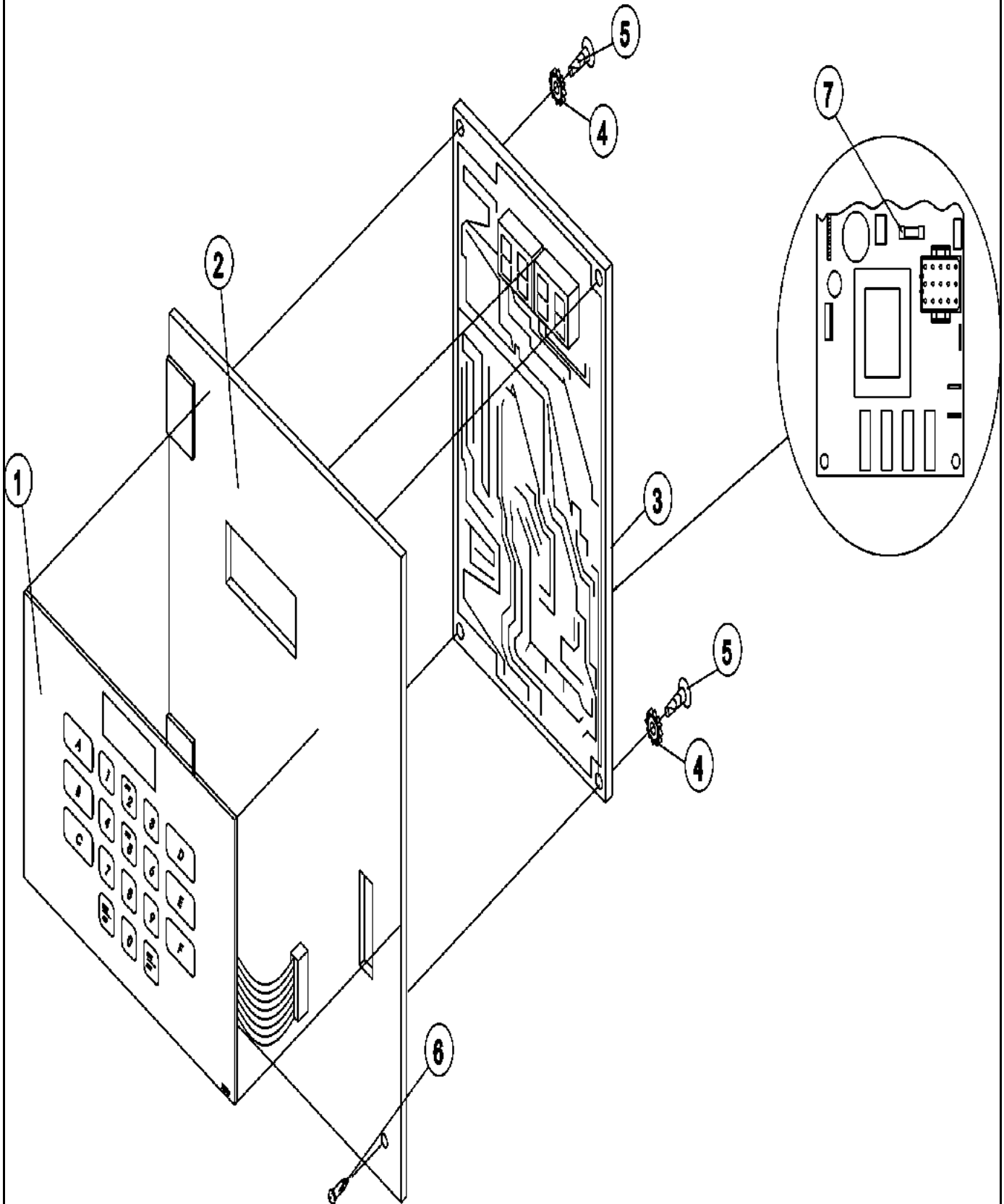
Model: MDG30PNVWW



OD22-04

Section: CONTROL PANEL (MICROPROCESSOR)

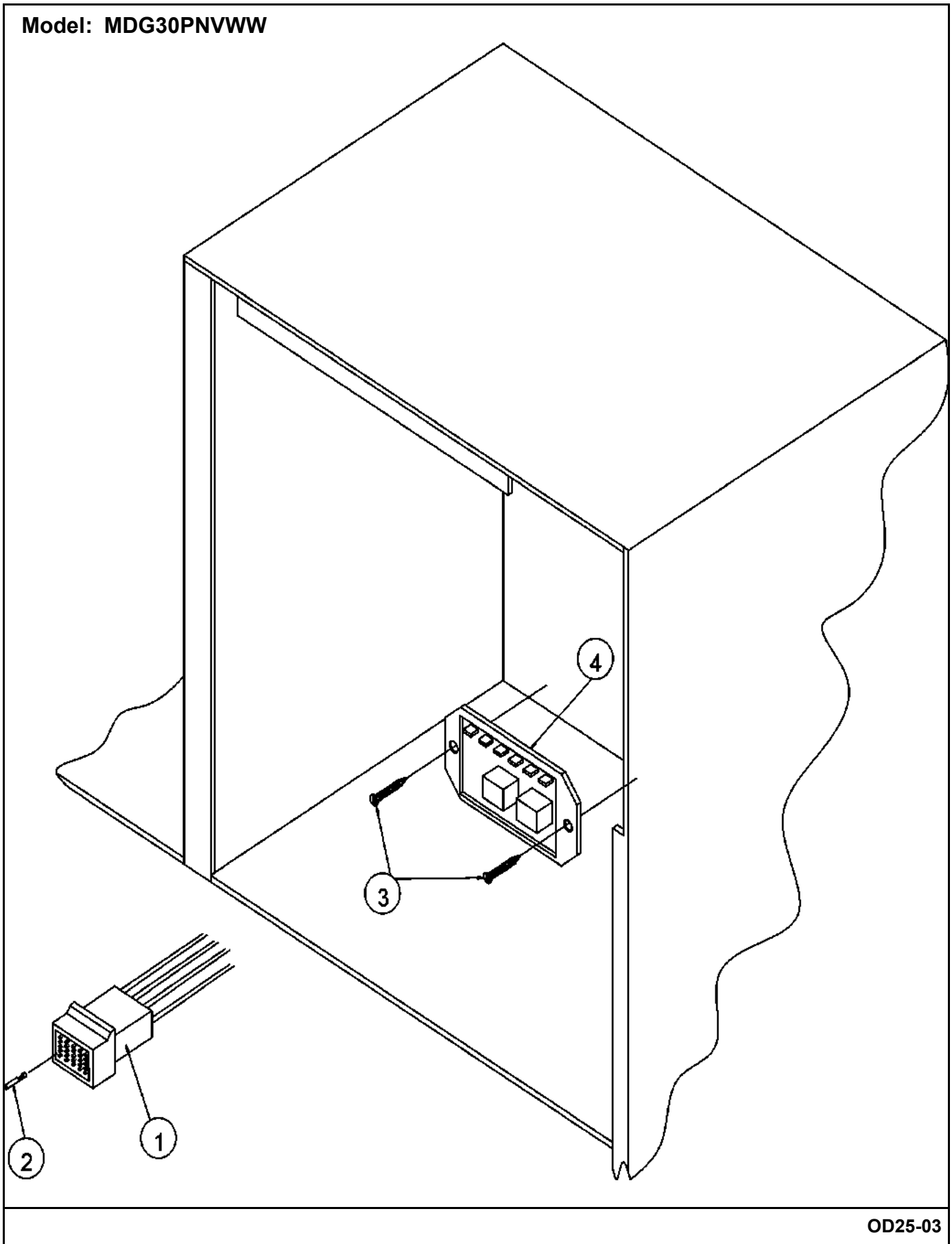
Model: MDG30PNVWW



OD11-04

Section: CONTROL BOX (MICROPROCESSOR)

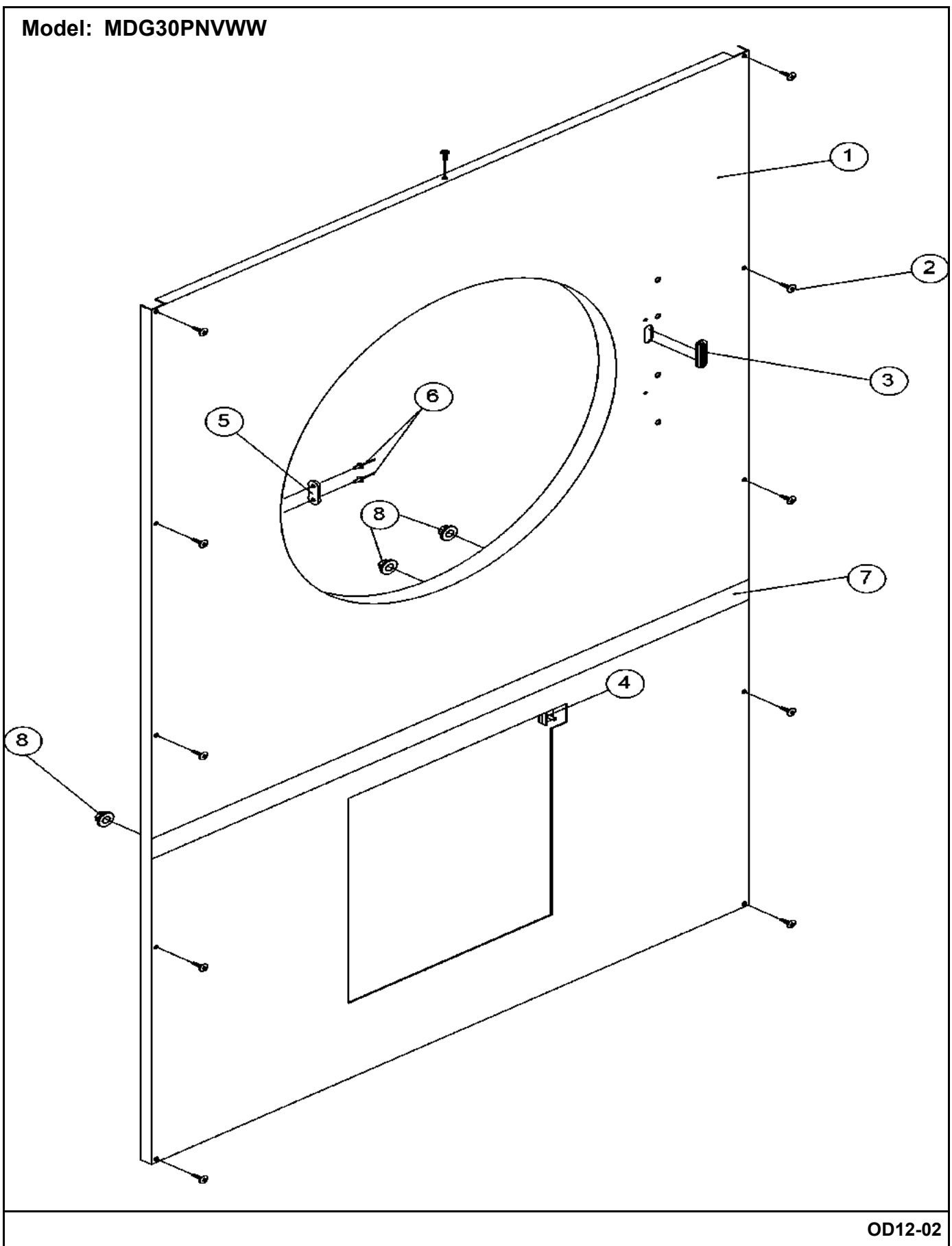
Model: MDG30PNVWW



OD25-03

Section: FRONT PANEL

Model: MDG30PNVWW

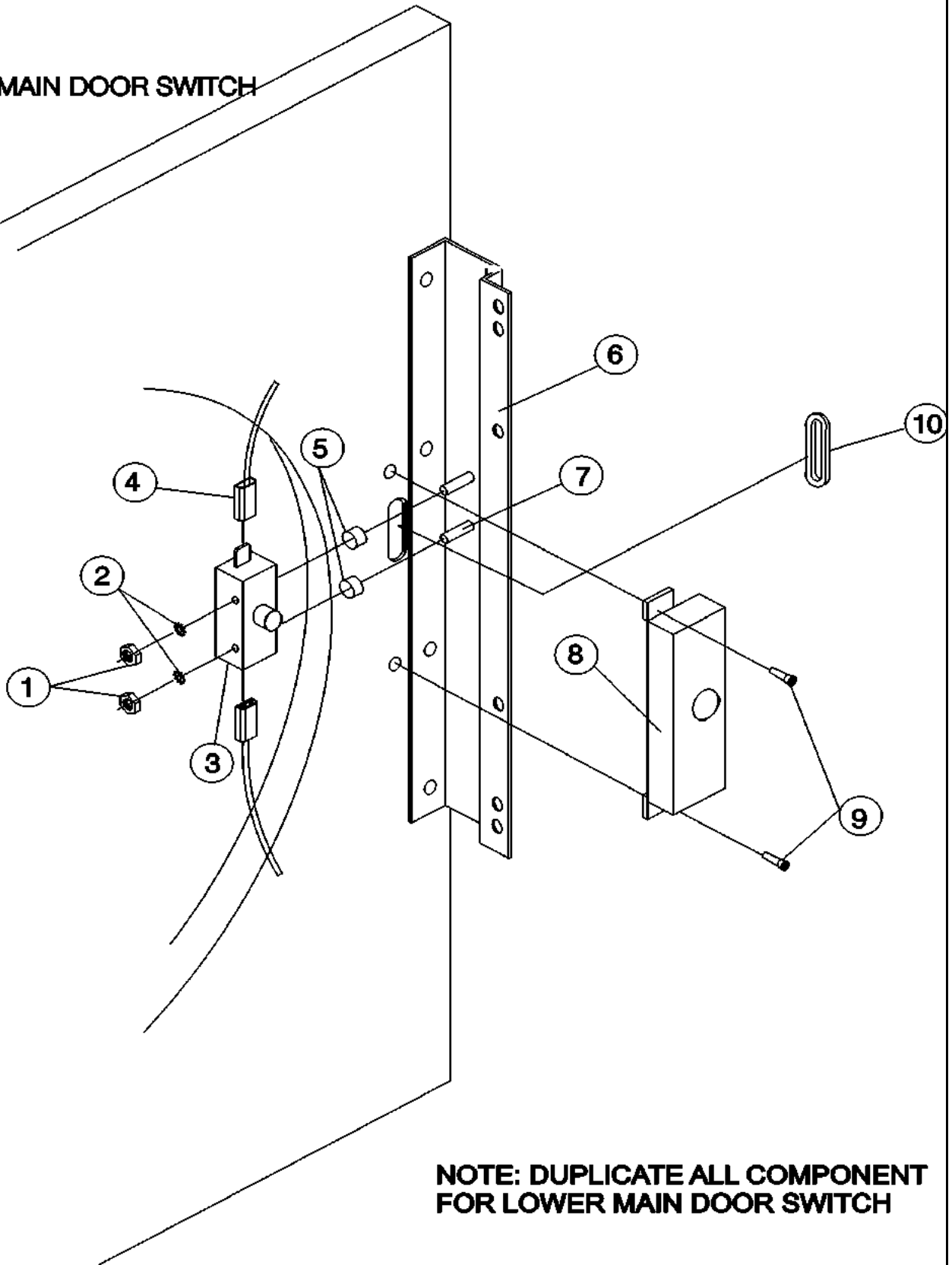


OD12-02

Section: DOOR SWITCH

Model: MDG30PNVWW

UPPER MAIN DOOR SWITCH

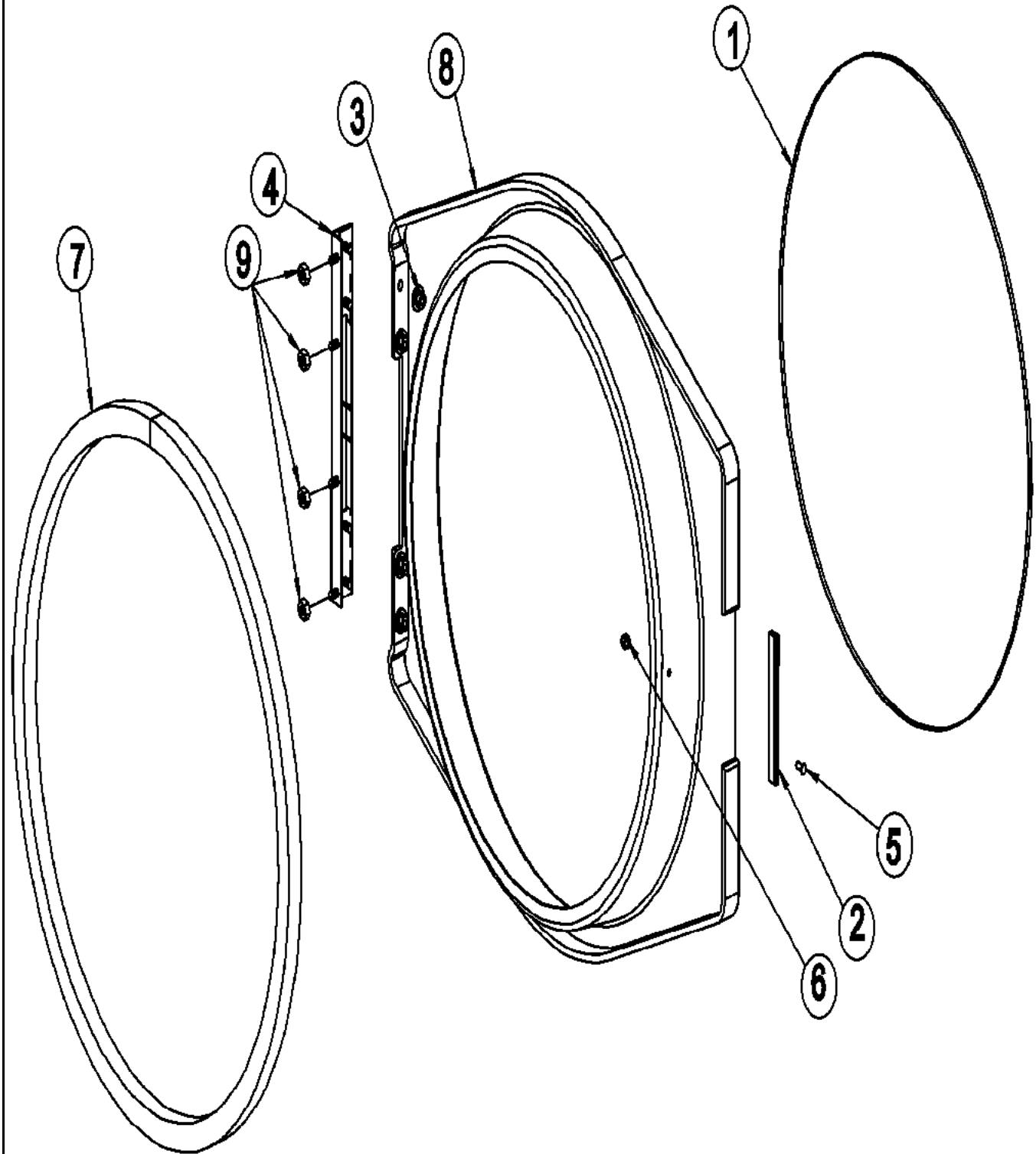


NOTE: DUPLICATE ALL COMPONENT FOR LOWER MAIN DOOR SWITCH

OD26-01

Section: MAIN DOOR

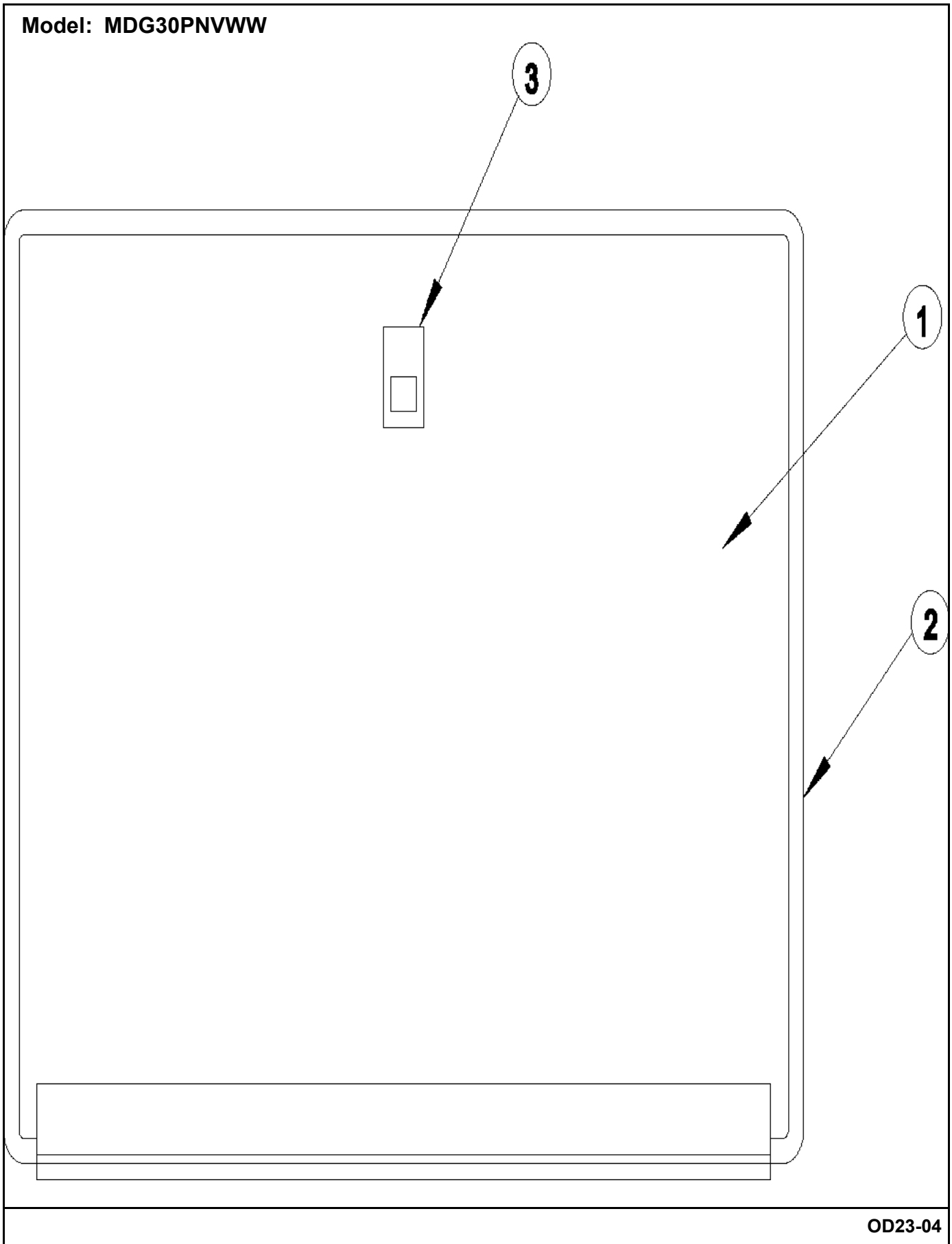
Model: MDG30PNVWW



OD10-01

Section: DROP LINT DOOR

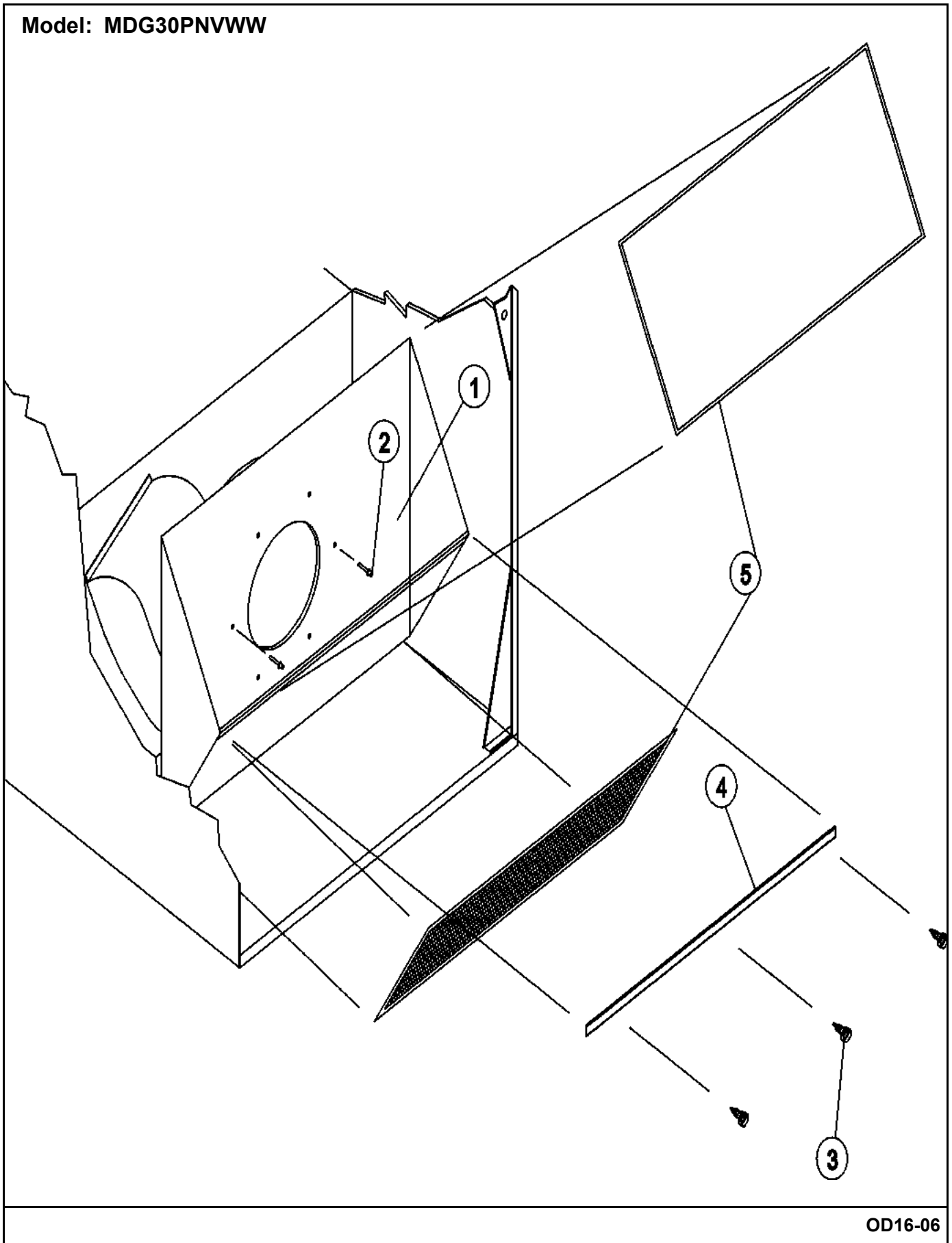
Model: MDG30PNVWW



OD23-04

Section: LINT TRAP

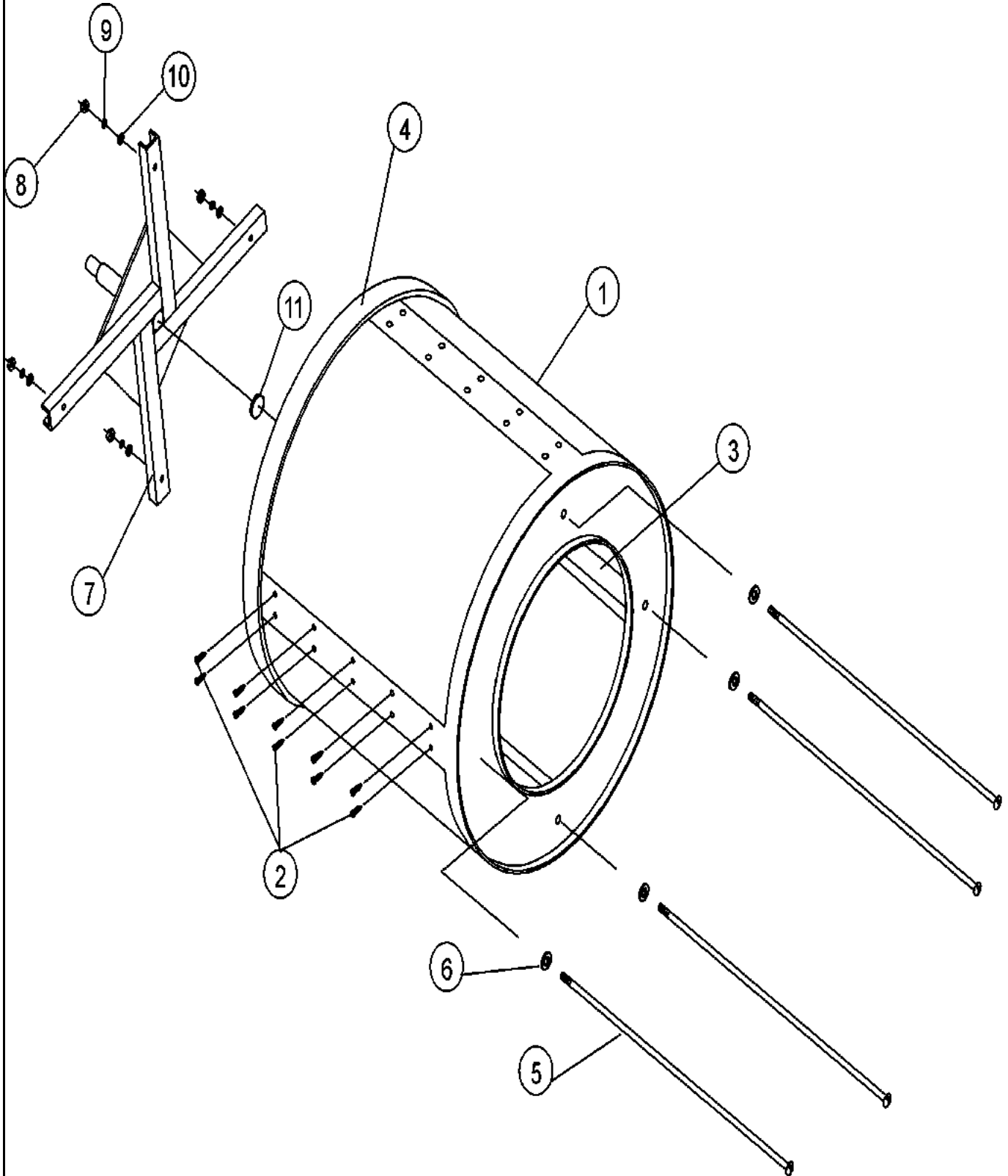
Model: MDG30PNVWW



OD16-06

Section: TUMBLER SUPPORT

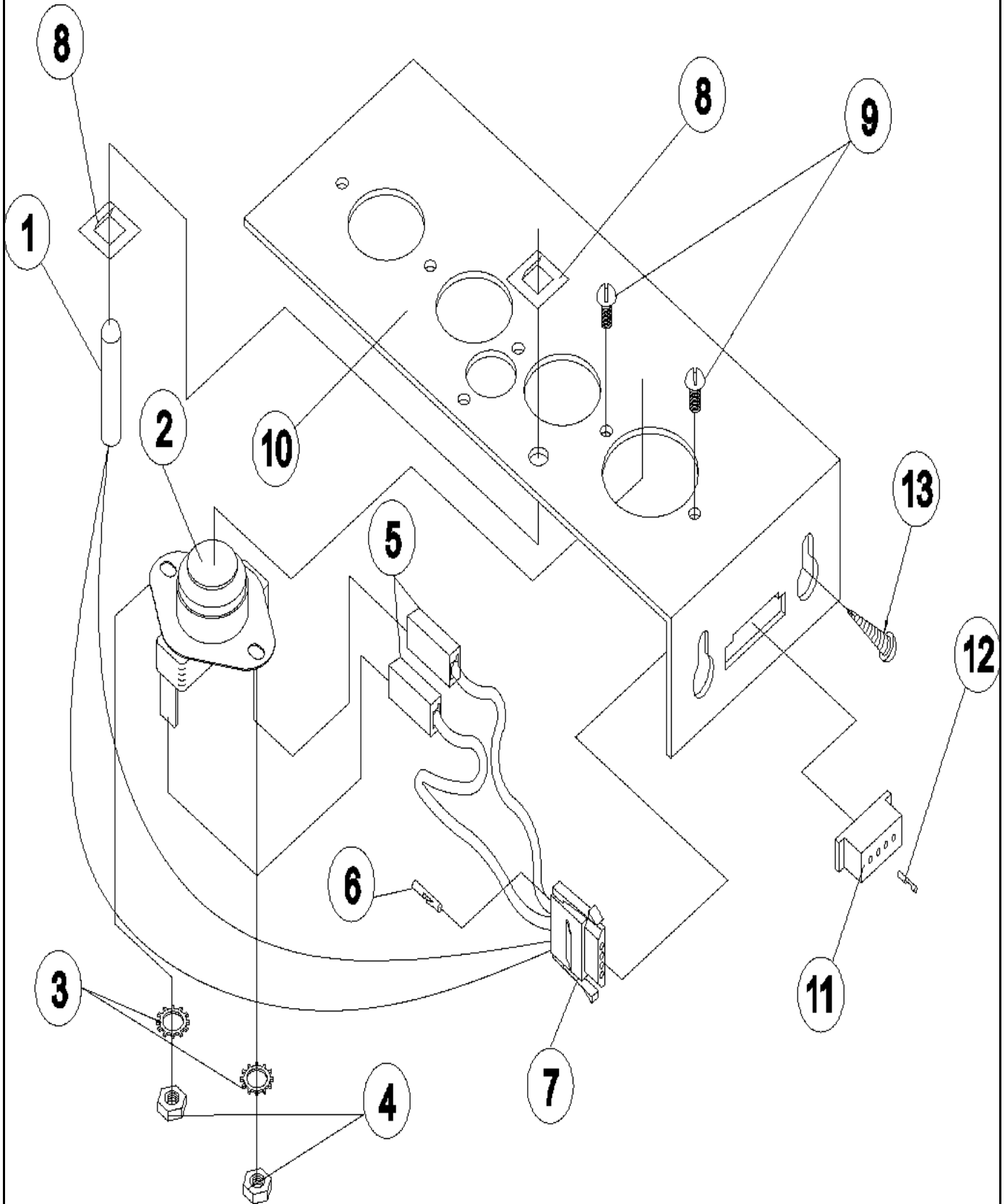
Model: MDG30PNVWW



OD27-05

Section: SENSOR BRACKET

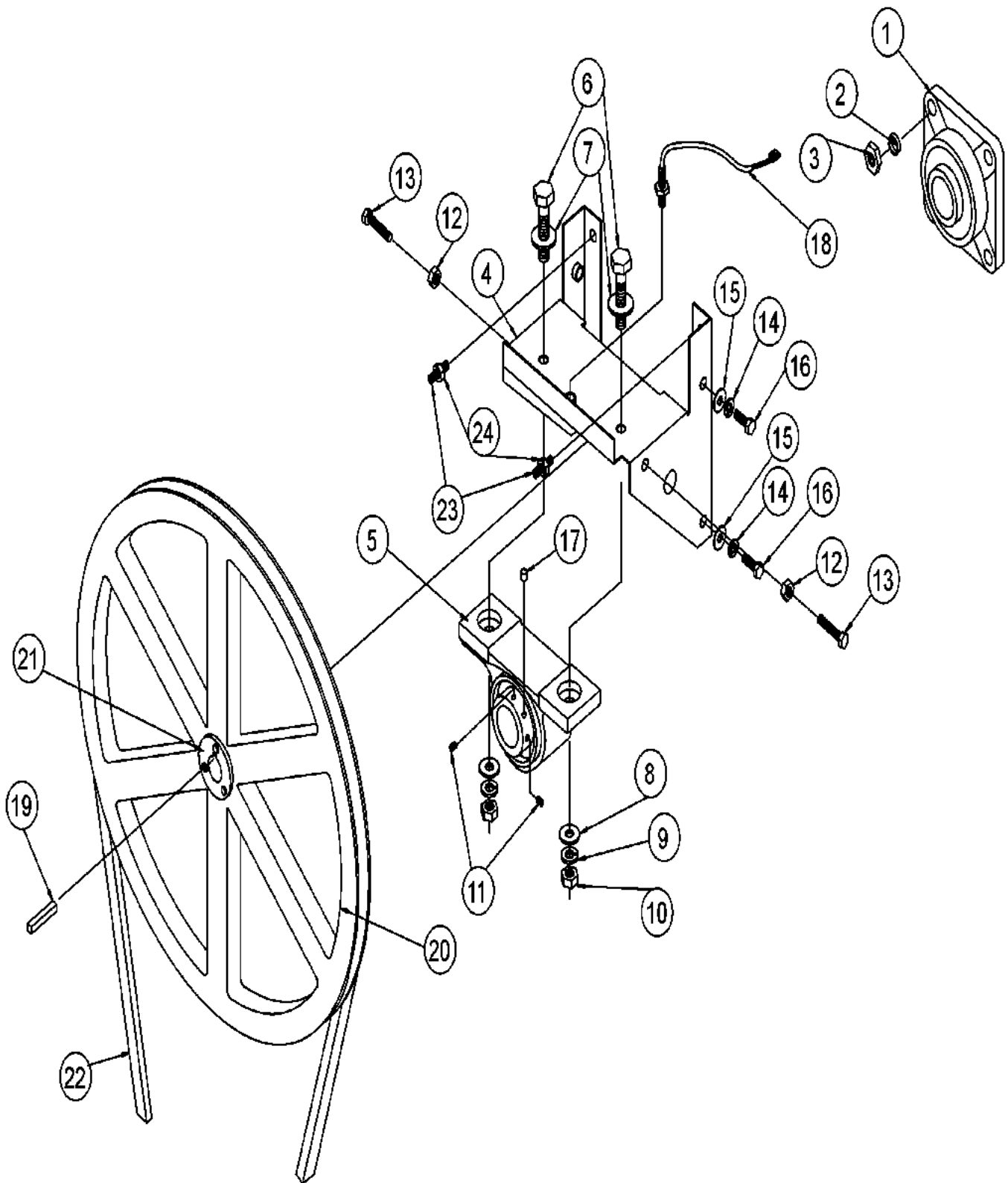
Model: MDG3PNVWW



OD28-02

Section: TUMBLER BEARING

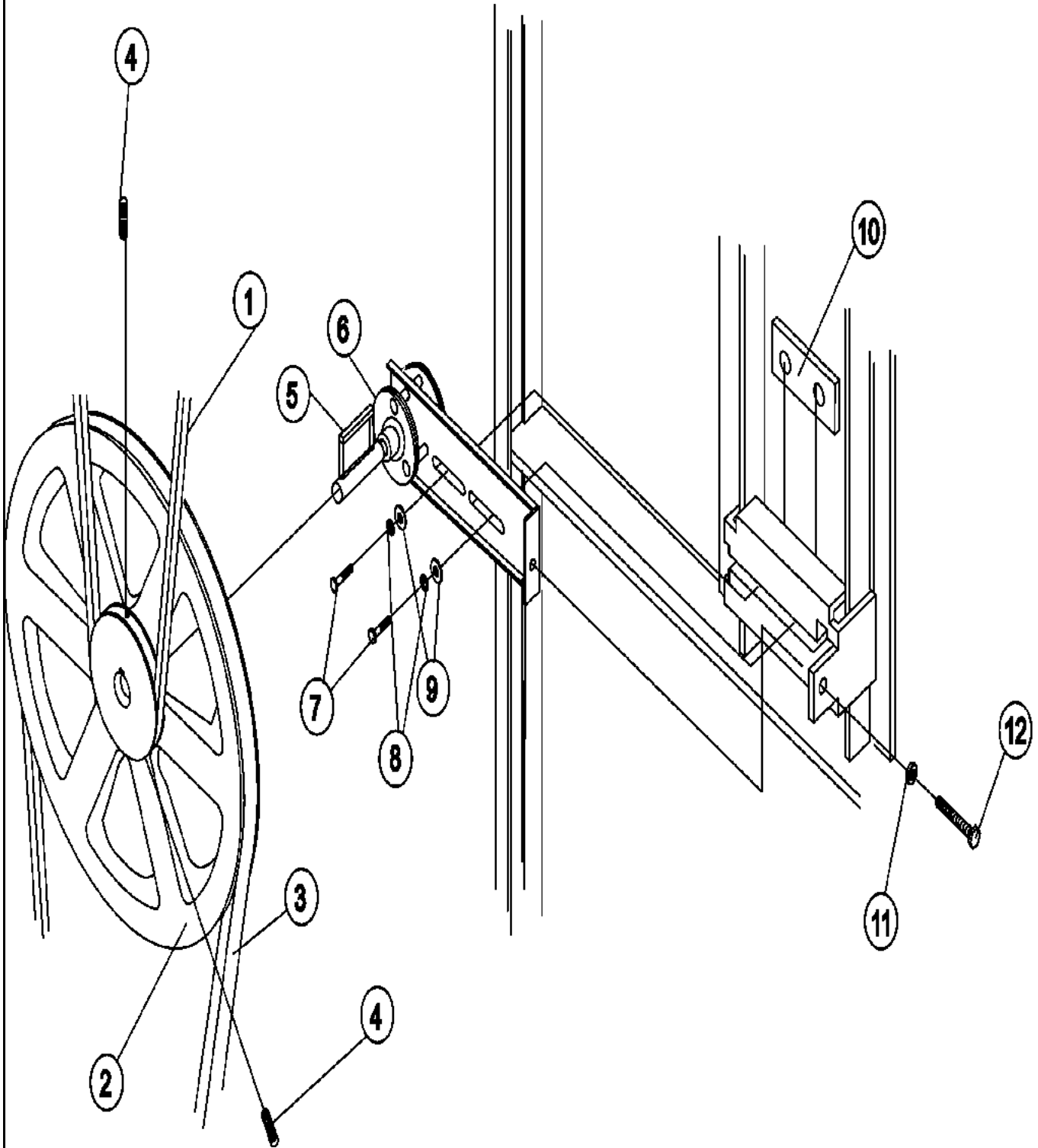
Model: MDG30PNVWW



OD27-06

Section: IDLER BEARING

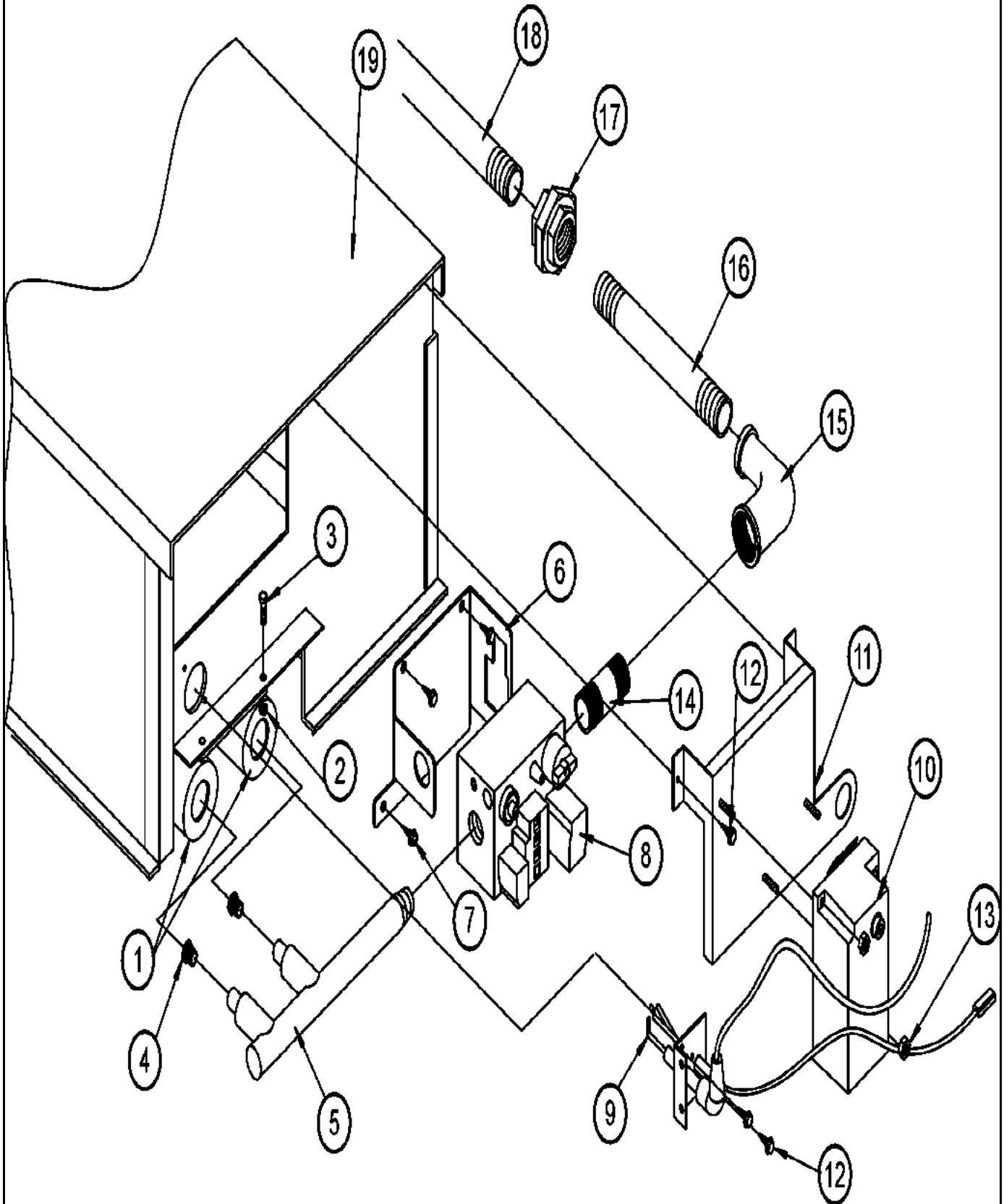
Model: MDG30PNVWW



OD27-04

Section: GAS BURNER

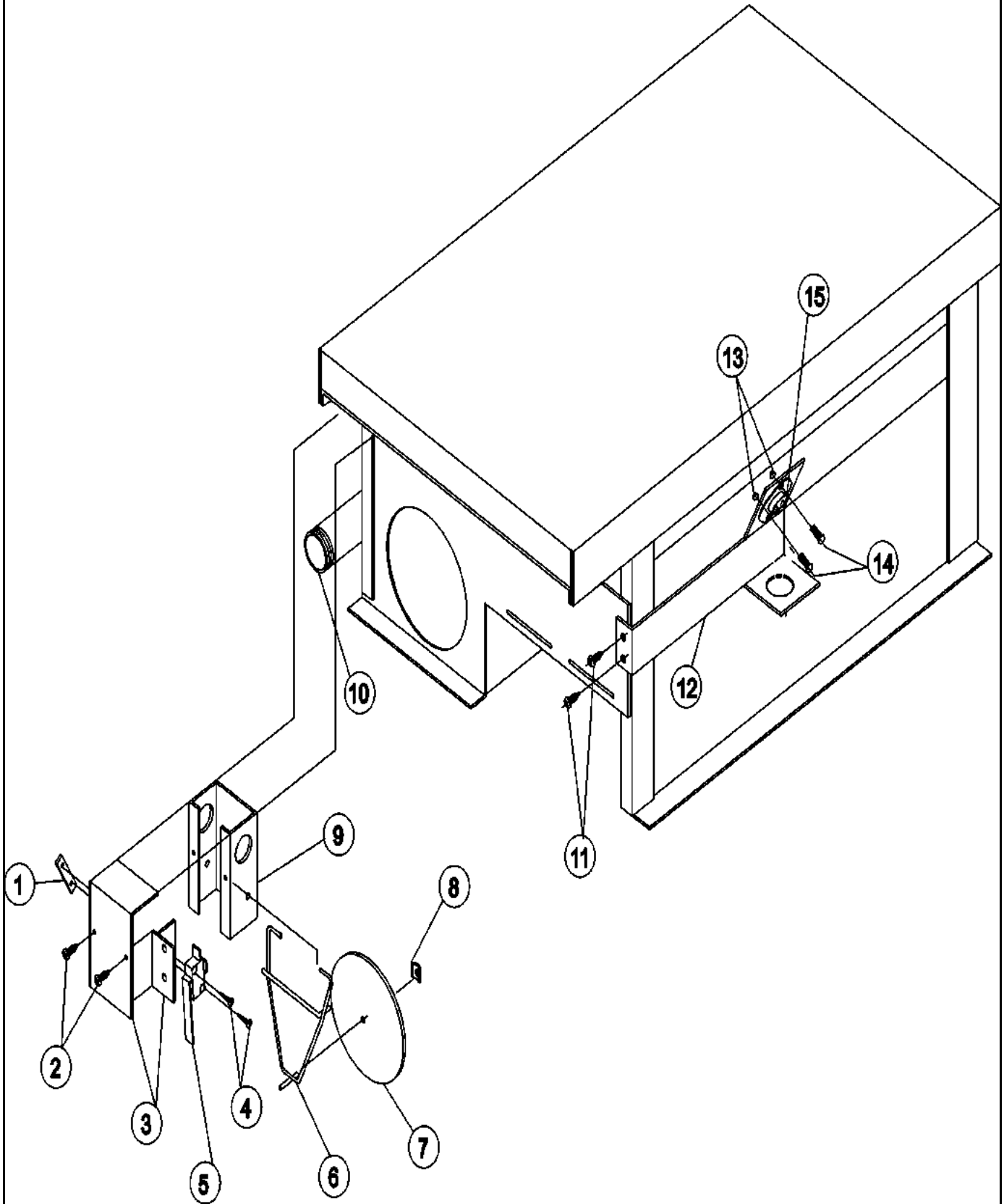
Model: MDG30PNVWW



OD29-02

Section: SAIL SWITCH/HI LIMIT

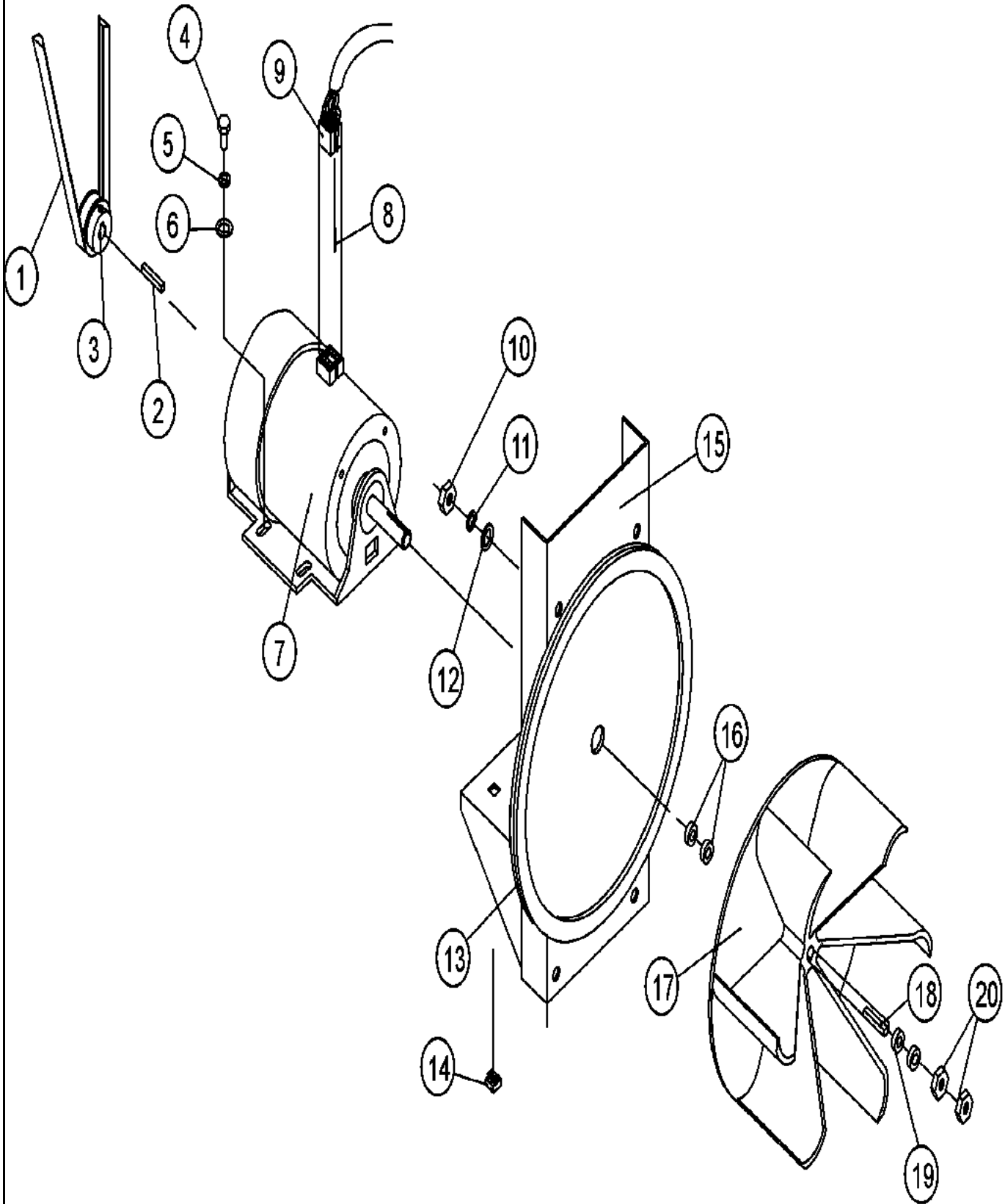
Model: MDG30PNVWW



OD31-01

Section: MOTOR MOUNT

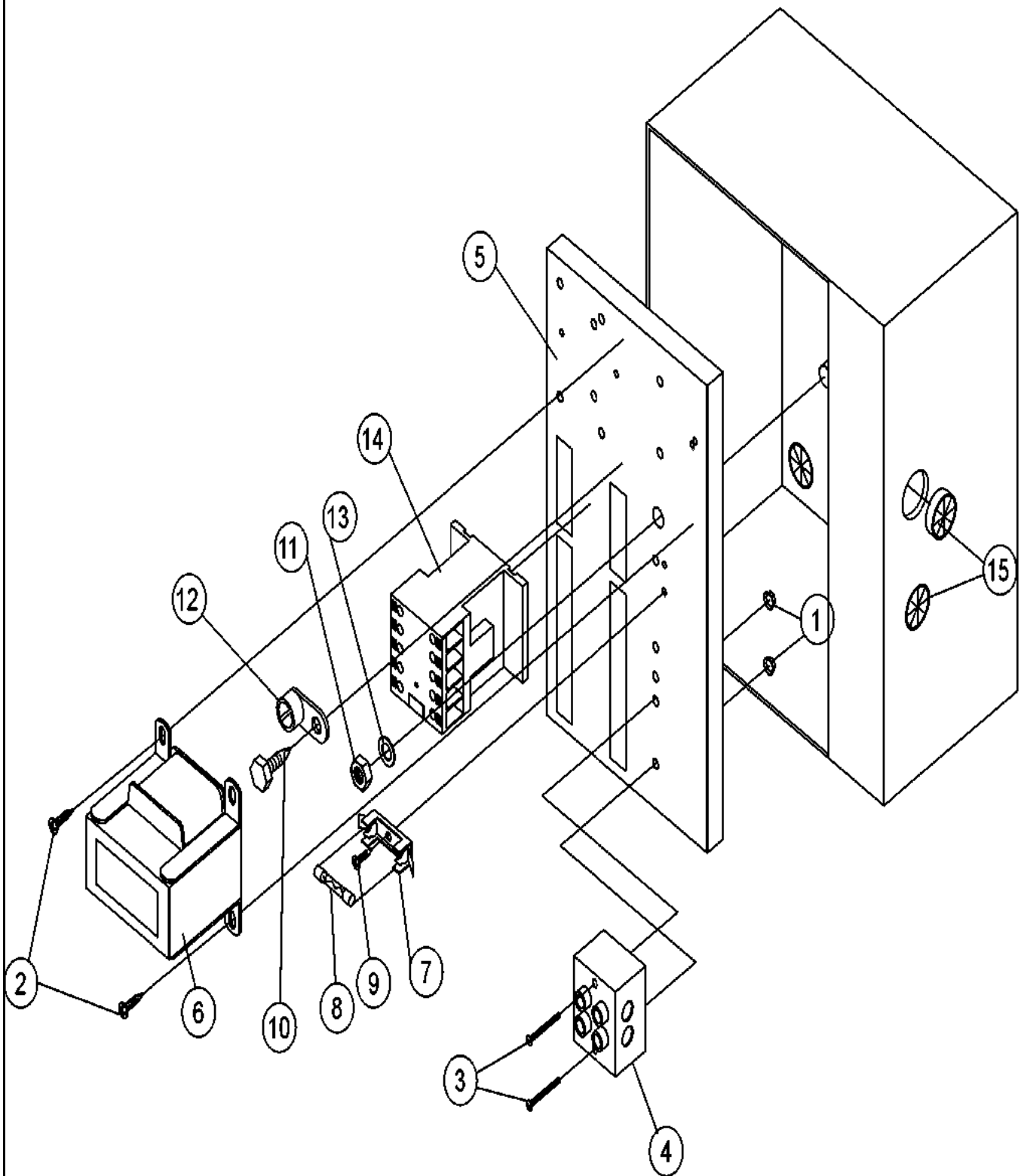
Model: MDG30PNVWW



OD17-02

Section: REAR ELECTRIC PANEL

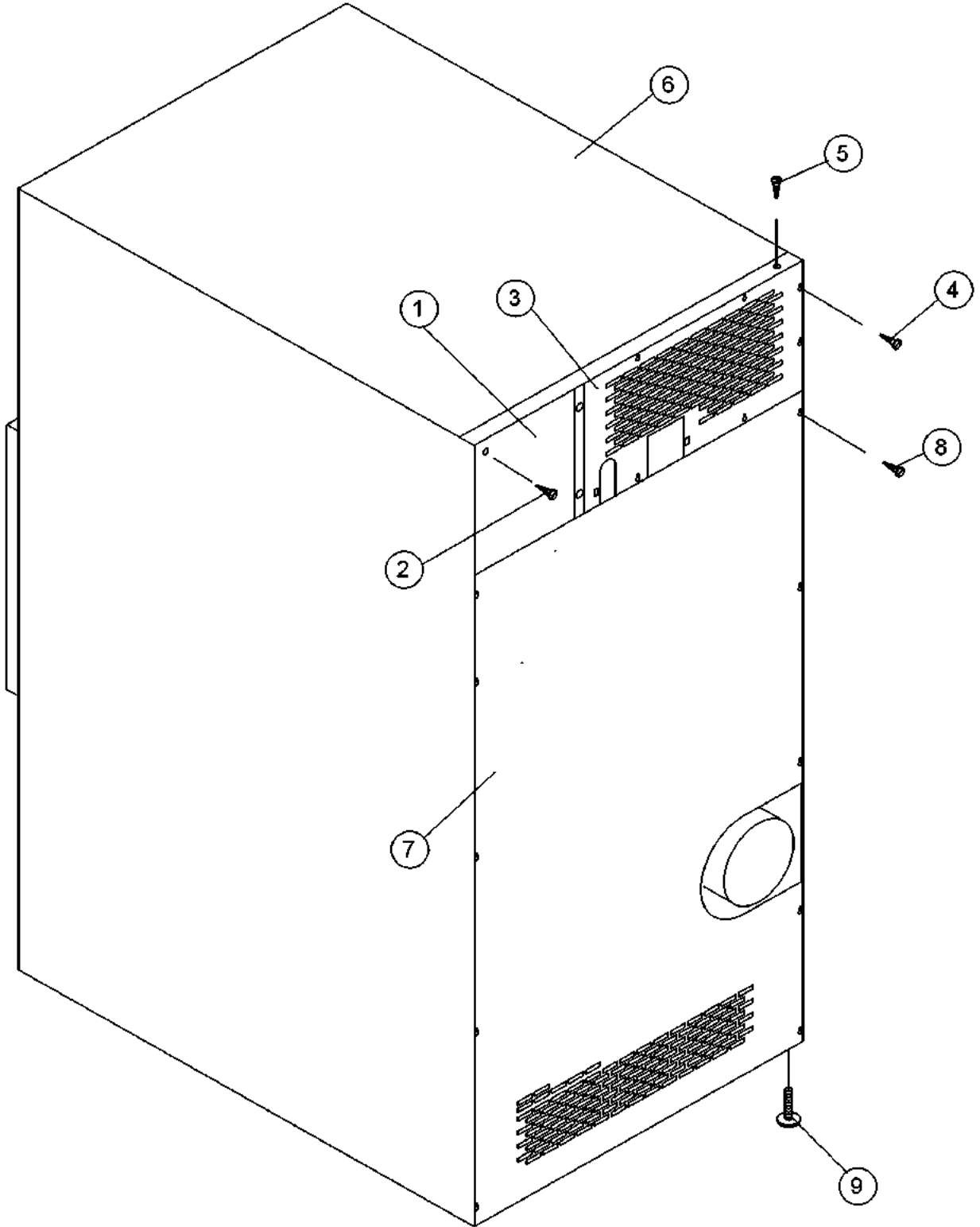
Model: MDG30PNVWW



OD21-05

Section: OUTER TOP/BACK GUARD

Model: MDG30PNVWW



OD18-02